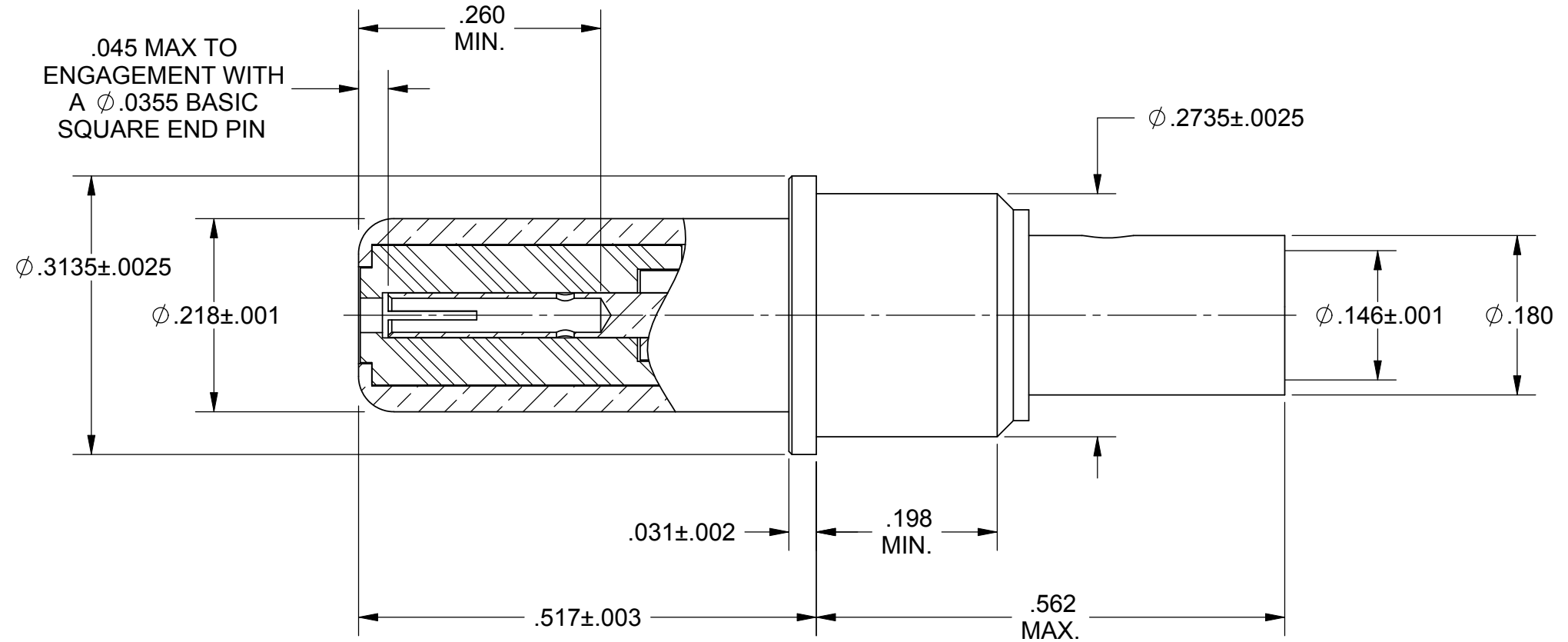


# PRODUCT DATA DRAWING

REVISION HISTORY			
REV	DESCRIPTION	DATE	APPROVED
B	REV. DCN 32852	03/05	VMJ
C	REV.DCN 37675	07/26/10	STW



**MATERIALS:**

**INSULATORS:** PTFE PER ASTM D1710, TYPE 1, GRADE 1, CLASS B.

**BODIES:** BRASS PER ASTM B16, ALLOY UNS C36000, H02.

**CONTACT:** BERYLLIUM COPPER PER ASTM B196, ALLOY C17300, COND. TD04

**SHRINK TUBING:** POLYOLEFIN PER SAE AMS-DTL-23053/5-106-0

**FINISHES:**

**BODIES & CONTACT:** GOLD PER ASTM B488, TYPE II, GRADE C, CLASS 1.27 OVER NICKEL PER AMS-QQ-N-290 CLASS 1,  $.00005$ " MIN.

**ELECTRICAL:**

**IMPEDANCE:** 50 OHMS  
**FREQ. RANGE:** DC TO 3 GHz. (FREQUENCY IS LIMITED BY CABLE).  
**INSUL. RES.:** 5,000 MEGOHMS MIN.  
**D.W.V.:** 1,000 VRMS MIN.  
**VSWR:**  $1.20 + .04 \times F$  IN GHz  
**INSERTION LOSS:**  $.11 \times \text{SQUARE ROOT OF } F(\text{GHz})$

**REF. AS39029/60 & MIL-DTL-38999 SERIES III**

**SV Microwave, Inc.**

2400 Centrepark West Drive, Suite 100  
 West Palm Beach, FL 33409

TITLE: **SIZE 8 PIN FOR TFLEX-402 CABLE**

SIZE **B** CAGE CODE **95077** DWG. NO. **8001-4101**

SCALE: 6:1 SHEET 1 OF 1

MATERIAL:	SEE ABOVE
FINISH:	SEE ABOVE
<b>PROPRIETARY</b>	
THE INFORMATION CONTAINED IN THIS DRAWING IS THE SOLE PROPERTY OF SV MICROWAVE, INC. ANY REPRODUCTION IN PART OR AS A WHOLE WITHOUT THE WRITTEN PERMISSION OF SV MICROWAVE, INC IS PROHIBITED.	

DIMENSIONS ARE IN INCHES TOLERANCES:	
FRACTIONAL:	$\pm 1/64$ ANGULAR: $X^\circ \pm 1'0''$ $X''X' \pm 15'$
DECIMAL:	X $\pm .030$ .XX $\pm .010$ .XXX $\pm .005$
INTERPRET DIMENSIONS AND TOLERANCES PER ASME Y14.5M - 1994	
<b>THIRD ANGLE PROJECTION</b>	

UNLESS OTHERWISE SPECIFIED	
1) ALL DIMENSIONS ARE AFTER PLATING. 2) BREAK CORNERS & EDGES .005 R. MAX. 3) CHAM. 1ST & LAST THREADS. 4) SURFACE ROUGHNESS 63 $\sqrt{\text{MIL-STD-10}}$ . 5) DIA.'S ON COMMON CENTERS TO BE CONCENTRIC WITHIN .005 T.I.R. 6) REMOVE ALL BURRS	
DRAWN:	VMJ 11/19/04
CHECKED:	JMC 11/22/04
APPROVED:	JMC 11/22/04
E.M. SIMULATION:	N/A

## X-ON Electronics

Largest Supplier of Electrical and Electronic Components

*Click to view similar products for [RF Connectors / Coaxial Connectors](#) category:*

*Click to view products by [Amphenol](#) manufacturer:*

Other Similar products are found below :

[8915-1511-000](#) [89674-0827](#) [6001-7071-019](#) [6002-7051-003](#) [6002-7551-202](#) [6059674-1](#) [619550-1](#) [630059-000](#) [M39030/3-01N](#) [M3933/25-36N](#) [6500-7071-046](#) [6769](#) [CX050L2AQ](#) [7002-1542-011](#) [7004-1512-000](#) [7009-1511-004](#) [7010-1511-000](#) [7029-1511-060](#) [7101-1541-010](#) [7101-1571-002](#) [7105-1521-002](#) [7145-1521-002](#) [7203-1571-003](#) [7209-1511-011](#) [7210-1511-015](#) [7210-1511-019](#) [73137-5015](#) [73216-2241](#) [7325-1512-000](#) [73404-2300](#) [7405-1521-005](#) [7405-1521-802](#) [7406-1521-005](#) [8527](#) [8547](#) [FS11V](#) [8808-1511-001](#) [9049-9513-000](#) [9074-9513-000](#) [9101-9573-002](#) [910A205F](#) [9130-9573-002](#) [PL11SC-026](#) [PL375-33](#) [PL40-5](#) [PL71-9](#) [PL74C-221](#) [PL75MC-217](#) [PL803-7](#) [980-8666-005](#)