

# PRODUCT DATA DRAWING

REVISION HISTORY			
REV	DESCRIPTION	DATE	APPROVED
A	REV. DCN 32852	03/05	VMJ

**MATERIALS:**

INSULATORS: PTFE PER ASTM D1710, TYPE 1 GRADE 1, CLASS B.

BODIES: BRASS PER ASTM B16, ALLOY UNS C36000, H02

CONTACT: BERYLLIUM COPPER PER ASTM B196, ALLOY C17300, COND. TD04

SHRINK TUBING: POLYOLEFIN PER SAE-DTL-23053/5-105-0

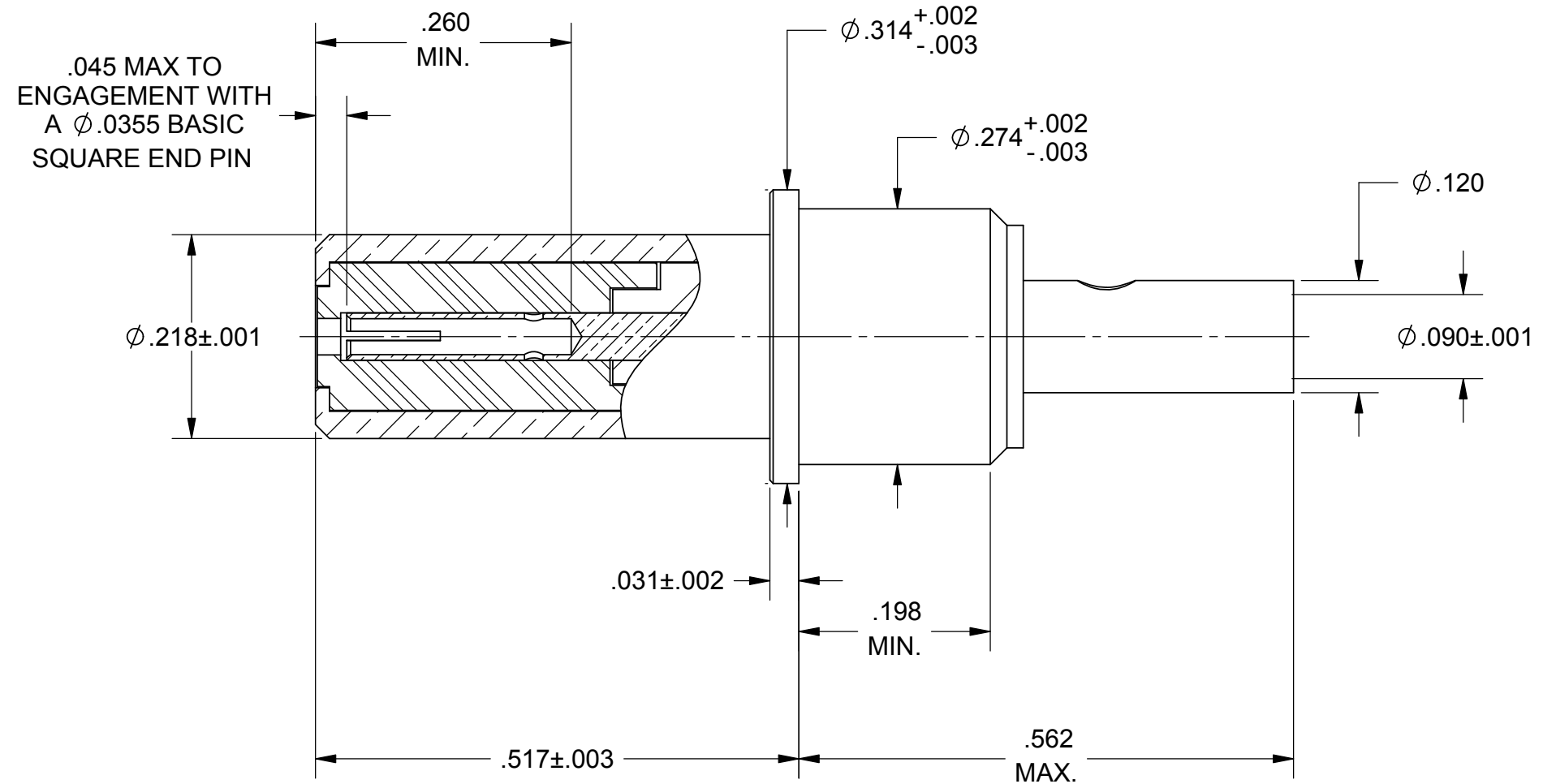
**FINISHES:**

BODIES & CONTACT: GOLD PER ASTM B488, TYPE II, GRADE C, CLASS 1.27 OVER NICKEL PER AMS-QQ-N-290 CLASS 1, .00005" MIN.

**ELECTRICAL:**

IMPEDANCE: 50 OHMS  
 FREQ. RANGE: DC TO 3 GHz  
 INSUL. RES.: 5,000 MEGOHMS MIN.  
 D.W.V: 1,000 VRMS MIN.  
 VSWR: 1.20 + .04 X F IN GHz  
 INSERTION LOSS: .11 X SQUARE ROOT OF F(GHz)

(MAX FREQ. CAN BE LIMITED BY CABLE)



REF. AS39029/60 & MIL-DTL-38999 SERIES III

MATERIAL: SEE ABOVE	DIMENSIONS ARE IN INCHES TOLERANCES: FRACTIONAL: ±1/64 ANGULAR: X° ±1'0" X*X' ±15'	UNLESS OTHERWISE SPECIFIED 1) ALL DIMENSIONS ARE AFTER PLATING. 2) BREAK CORNERS & EDGES .005 R. MAX. 3) CHAM. 1ST & LAST THREADS. 4) SURFACE ROUGHNESS 63 √ MIL-STD-10. 5) DIA.'S ON COMMON CENTERS TO BE CONCENTRIC WITHIN .005 T.I.R. 6) REMOVE ALL BURRS	<b>SV Microwave, Inc.</b> 2400 Centrepark West Drive, Suite 100 West Palm Beach, FL 33409 TITLE: <b>SIZE 8 PIN FOR T-FLEX 405 CABLE</b>
FINISH: SEE ABOVE	DECIMAL: .X ±.030 .XX ±.010 .XXX ±.005	INTERPRET DIMENSIONS AND TOLERANCES PER ASME Y14.5M - 1994	
<b>PROPRIETARY</b> THE INFORMATION CONTAINED IN THIS DRAWING IS THE SOLE PROPERTY OF SV MICROWAVE, INC. ANY REPRODUCTION IN PART OR AS A WHOLE WITHOUT THE WRITTEN PERMISSION OF SV MICROWAVE, INC IS PROHIBITED.	THIRD ANGLE PROJECTION	DRAWN: VMJ 02/01/05	SIZE: <b>B</b> CAGE CODE: <b>95077</b> DWG. NO.: <b>8001-4107</b>
		CHECKED: JMC 02/03/05	SCALE: 6:1
		APPROVED: JMC 02/03/05	SHEET 1 OF 1
		E.M. SIMULATION: N/A	

## X-ON Electronics

Largest Supplier of Electrical and Electronic Components

*Click to view similar products for [RF Connectors / Coaxial Connectors](#) category:*

*Click to view products by [Amphenol](#) manufacturer:*

Other Similar products are found below :

[8915-1511-000](#) [89674-0827](#) [6001-7071-019](#) [6002-7051-003](#) [6002-7551-202](#) [6059674-1](#) [619550-1](#) [630059-000](#) [M39030/3-01N](#) [M3933/25-36N](#) [6500-7071-046](#) [6769](#) [CX050L2AQ](#) [7002-1542-011](#) [7004-1512-000](#) [7009-1511-004](#) [7010-1511-000](#) [7029-1511-060](#) [7101-1541-010](#) [7101-1571-002](#) [7105-1521-002](#) [7145-1521-002](#) [7203-1571-003](#) [7209-1511-011](#) [7210-1511-015](#) [7210-1511-019](#) [73137-5015](#) [73216-2241](#) [7325-1512-000](#) [73404-2300](#) [7405-1521-005](#) [7405-1521-802](#) [7406-1521-005](#) [8527](#) [8547](#) [FS11V](#) [8808-1511-001](#) [9049-9513-000](#) [9074-9513-000](#) [9101-9573-002](#) [910A205F](#) [9130-9573-002](#) [PL11SC-026](#) [PL375-33](#) [PL40-5](#) [PL71-9](#) [PL74C-221](#) [PL75MC-217](#) [PL803-7](#) [980-8666-005](#)