

PRODUCT DATA DRAWING

CAD GENERATED DRAWING	DCN CONTROLLED DOCUMENT	DWG. NO. 8018-6173
-----------------------------	-------------------------------	----------------------------------

MATERIAL:

BODY, PRESS CAP
& COUPLING NUT: STAINLESS STEEL PER AMS-5640,
UNS S30300, TYPE 1

CONTACT &
LOCK RING: BERYLLIUM COPPER PER ASTM-B-196,
ALLOY C17300, COND. TD04

INSULATOR: TEFLON PER ASTM-D-1457

GASKET: SILICONE RUBBER PER ZZ-R-765,
CLASS II, GRADE 5-/60

RESISTOR: ALUMINA SUBSTRATE W/ NICHROME
RESISTIVE MATERIAL

FINISH:

BODY: GOLD PER MIL-G-45204, TYPE I,
GRADE C, CLASS 0; OVER NICKEL
PER QQ-N-290, CLASS 2

CONTACT: GOLD PER MIL-G-45204, TYPE I,
GRADE C, CLASS 1; OVER NICKEL
PER QQ-N-290, CLASS 2

COUPLING NUT
& PRESS CAP: GOLD PER MIL-G-45204, TYPE I,
GRADE C, CLASS 00; OVER NICKEL
PER QQ-N-290, CLASS 1

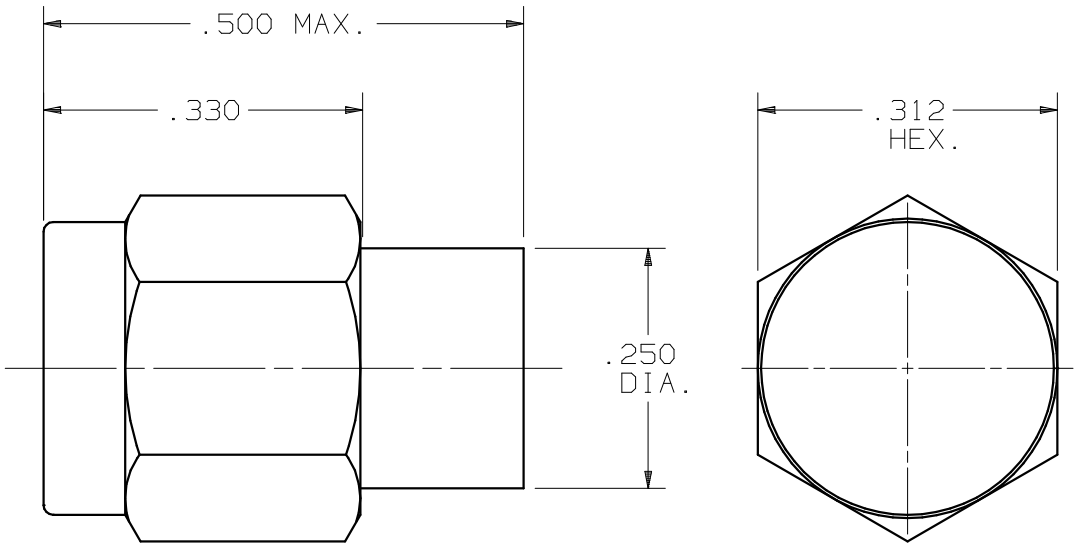
PERFORMANCE:

IMPEDANCE: 50 OHMS

FREQ. RANGE: DC-18.0 GHz

VSWR: DC-4.0 GHz 1.10:1
4.0-12.4 GHz 1.20:1
12.4-18.0 GHz 1.30:1

POWER RATING: .5 WATT



SYM.	DESCRIPTION	DATE	APPR.	UNLESS OTHERWISE SPECIFIED: 1) ALL DIMENSIONS ARE AFTER PLATING. 2) BREAK CORNERS & EDGES .005 R. MAX. 3) CHAM. 1s† & LAST THDS. 4) SURFACE ROUGHNESS 63 J MIL-STD-10. 5) DIAS. ON COMMON CENTERS TO BE CONCENTRIC WITHIN .005 T.I.R. 6) REMOVE ALL BURRS.	DIMENSIONS ARE IN INCHES TOLERANCES:			SV Microwave, Inc. 2400 Centrepark West Drive, Suite 100 West Palm Beach, FL 33409	
-	REL. DCN 28693	08/02	SW		DECIMALS	FRACTIONAL	ANGULAR		
					.X ±.030		X° ±1°0'	DWG. NO. 8018-6173	
					.XX ±.015	±1/64	X°X' ±15'		
					.XXX ±.005				
				DRAWN: BRT 8/02/02	MATERIAL: SEE ABOVE				
				CHECKED: STW 8/05/02	FINISH: SEE ABOVE	AREA: N/A			
				APPROVED: STW 8/05/02	SIZE	CAGE NO.	SCALE		
					A	95077	N/A		

X-ON Electronics

Largest Supplier of Electrical and Electronic Components

Click to view similar products for [RF Terminators](#) category:

Click to view products by [Amphenol](#) manufacturer:

Other Similar products are found below :

[M390303-02N](#) [M39030/3-04S](#) [M39030/3-09S](#) [TNG1-9-78-D3](#) [TNA2-50](#) [TNG1-6-78](#) [TNH1-1-50](#) [R404280000](#) [TNGFL1-1-78](#) [R4042N5000](#)
[R404518000](#) [53S1RR-001N3](#) [142275](#) [56S1RR-001N4](#) [18S15R-0.5E3](#) [65_BNC-50-0-7/133_NE](#) [71S1RR-001N4](#) [02S17R-001D3](#)
[R404240120](#) [R404260000](#) [HT-10-2](#) [M39030/3-04N](#) [TNA1-6-50](#) [131-3801-811](#) [TNA1-1-50](#) [65_N-50-0-51/113_NE](#) [65_N-50-0-1/133_NE](#)
[65002_N-50-1/122_NE](#) [65_MMCX-50-0-31/111_OE](#) [18K15R-0.5E3](#) [2702702](#) [TRM-2161-M0-35M-02](#) [53S17R-001N3](#) [18S24H-40ML5](#)
[TRM-2053-M0-NNN-02](#) [R404759000](#) [M39030/6-02N](#) [TRM-2080-M0-NNN-07](#) [TRM-2053-MC-NNN-02](#) [M39030/3-03S](#) [SF8012-6009](#)
[6701.01.A](#) [65_716-50-0-2/003_-E](#) [65_SMB-50-0-1/111_NE](#) [M39030/3-12N](#) [M39030/5-06N](#) [82-5722-RFX](#) [8018-6174](#) [SF8018-6005](#) [000-46650-51RFX](#)