

Air Pressure Sensor (APS)

For air pressure applications



Product description



The Air Pressure Sensor was derived from our Climate Control Pressure Transmitter (CCT). This hermetically sealed and robust aluminum housing makes this sensor a cost-effective solution. The APS is compatible with a wide range of media thanks to its high-quality stainless steel measuring element. Its innovative evaluation electronics reliably provide highly accurate measurement data over a wide temperature range via an analog interface.

Specifically tailored to the requirements of the automotive industry, the CCT also complies with the current provisions regarding EMC and ESD.

Fields of application

- On board and build in air compressor for trucks and SUV

Features

Specially designed stainless-steel measuring element

- Excellent long-term stability
- High compatibility with fluids

Application-specific evaluation electronics

- Tried-and-tested automotive EMC/ESD resistance
- Extended diagnostic and protective functions

- Corrosion resistant
- Light weight
- Cost effective

Variety of analogue and digital output signals available

- Easy integration into existing systems
- High volume production line available (up to 2 Mio. pieces per year)

Air Pressure Sensor (APS)

For air pressure applications



Technical Specification

Measurement Range

| | |
|------------------|---------------|
| Nominal pressure | -1 bar–10 bar |
| Over pressure | 70 bar |
| Burst pressure | 105 bar |
| Pressure type | Relative |

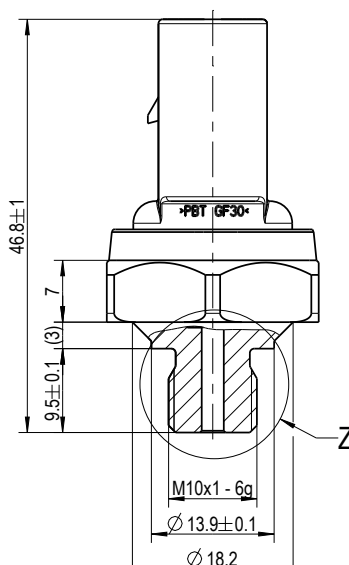
Electrical Characteristics

| | |
|---------------------|------------------------|
| Supply voltage | 5 V±0.5 V |
| Current consumption | max. 10 mA |
| Output signals | 0.5–4.5 V, ratiometric |

Mechanical Characteristics

| | |
|---------------------|--|
| Measuring element | Stainless steel cell with resistive measuring bridge |
| Housing material | Aluminium |
| Pressure connection | HEX 24, M10×1.26 |
| Thread | Female thread ¹⁾ |

Dimension



| | |
|-----------------------|-----------------------------|
| Electrical connection | 3-pin RD plug ¹⁾ |
| Installation position | Any |
| Weight | Approx. 16 g |

Accuracy

| | |
|----------------------|---|
| Total pressure error | ±1 % FS (20–80 °C), ±2 % FS (-40–125 °C) ²⁾ |
|----------------------|---|

Environmental Conditions

| | |
|-----------------------------|---------------------|
| Operating temperature range | -40–125 °C |
| Media temperature range | -40–125 °C (150 °C) |
| Media compatibility | Air |

¹⁾ Other pressure and electrical connections available on request

²⁾ Includes repeatability, hysteresis, non-linearity (TBL), calibration and temperature effects; depends on pressure and temperature range



X-ON Electronics

Largest Supplier of Electrical and Electronic Components

Click to view similar products for [Industrial Pressure Sensors](#) category:

Click to view products by [Amphenol](#) manufacturer:

Other Similar products are found below :

[76311-05](#) [76577-00000070-01](#) [77343-24.0H2-01](#) [77343-25.0H2-01](#) [78303-B00000400-01](#) [78303-B00000400-05](#) [78316-B00000030-01](#)
[78353-B00000020-05](#) [78665-00000014-05](#) [78677-B00000070-05](#) [79279-00000060-01](#) [79296-B00000350-01](#) [79322-00250035-01](#) [79614-](#)
[30.0H2-14](#) [79700-00002750-01](#) [80569-00700100-01](#) [81739-B00000900-01](#) [MLH025BSCDJ1303](#) [MLH750PSCDJ1245](#) [82903-B00000020-01](#)
[83250-02500600-05](#) [83271-00000040-04](#) [83278-B00000200-21](#) [83282-00000100-05](#) [83286-00000150-01](#) [83298-00000120-01](#) [83299-](#)
[00000150-05](#) [83305-00001350-01](#) [83350-04.0HG-05](#) [83357-00000030-21](#) [83362-B00000040-04](#) [83507-00000150-01](#) [83807-18](#) [9223108](#)
[9243103](#) [9251405](#) [9303101](#) [9305823](#) [9306477](#) [9306478](#) [9306482](#) [9306496](#) [9309105](#) [PX2AN2XX100PSAAX](#) [1231-L902-08A](#)
[13C0500PS0LSZ76405](#) [13C1000PS4L/S76105](#) [13C1000PA4K/S75885](#) [1807706](#) [HPR04000BGDSPAAA25](#)