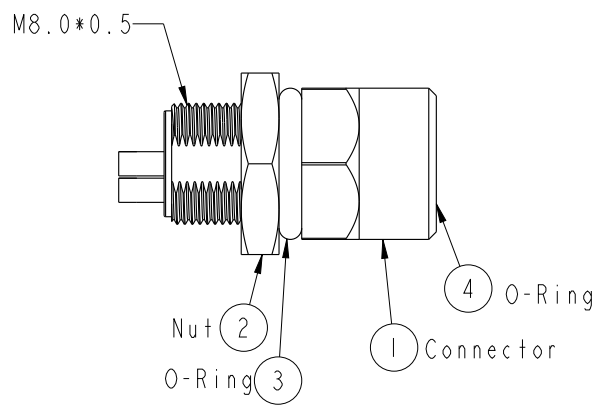
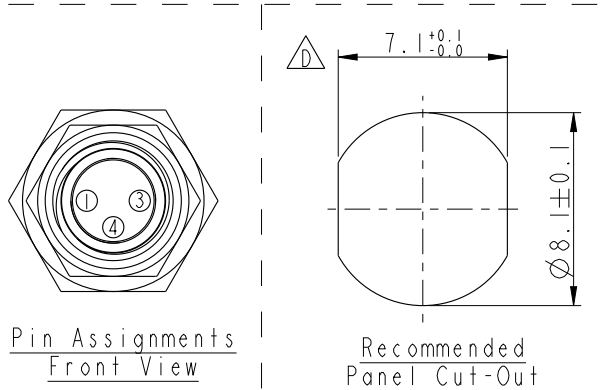
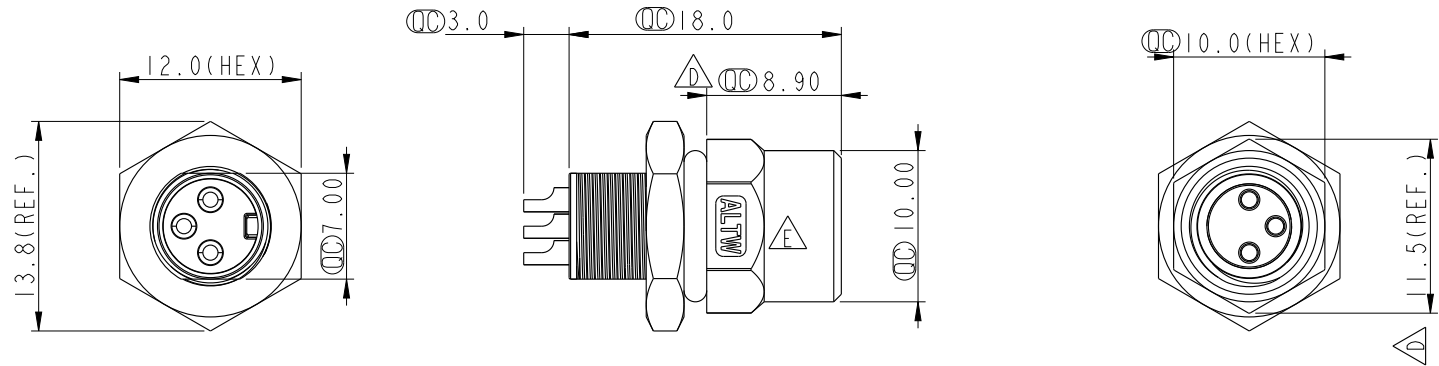


THIS DOCUMENT IS SUBJECT TO CHANGE WITHOUT NOTICE. IT IS CONFIDENTIAL AND A PROPERTY OF AMPHENOL LTW. DISCLOSURE TO THIRD PARTY HAS TO BE AUTHORIZED BY AMPHENOL LTW.

REV.	ECN NO.	DATE	SIGN	DESCRIPTION
C	LEN-7A0168	2007/09/29	Myrdal	Added Note
D	LEN-910176	2009/01/06	Ivan Lin	Change rev. to ECN note
E	C191918	2019/11/04	JC Chen	\triangle E XI



Note:

- * CC Important Dimension.
- * Waterproof Rate: IP67
- * Connector: Black, Nylon+GF
- * Female Pin: Copper Alloy, Gold Plated
- * Shield: Zinc Alloy, Nickel Plated
- \triangle * Nut: Copper Alloy, Nickel Plated
- * O-Ring: Black, EPDM
- \triangle * O-Ring: Green, VITON
- * For Panel Thickness Max 4.5mm
- \triangle * Nut Torque: 4-6 kgf.cm

UNIT: mm	CC	CC
TOLERANCE		
.X	± 0.25	
.XX	± 0.1	
.XXX	± 0.05	
ANGLES	$\pm 1^\circ$	

TITLE	\triangle M8 Conn Panel Screw 3P F Conn F Pin		
SCALE	2:1	SIZE	A4
REV.	E	WC-REV.	A.6
		CC	Inspection item

Amphenol LTW
安費諾亮泰企業股份有限公司

ITEM NO	8-03PFFS-SH7001	DRAWN BY	Ivan Lin	DATE	2009/01/06
DWG NO	8-03PFFS-SH7001	CHECKED BY	Tommy Ham	DATE	2009/01/06
CUSTOMER	ALTW	APPROVED BY	Luke Chang	DATE	2009/01/06

X-ON Electronics

Largest Supplier of Electrical and Electronic Components

Click to view similar products for [Circular Metric Connectors](#) category:

Click to view products by [Amphenol](#) manufacturer:

Other Similar products are found below :

[600X518037X](#) [6STD15PCR99B70A](#) [8R4000A16M020](#) [8R5000A16M005](#) [1200910002](#) [1203580030](#) [1200910008](#) [1200910011](#) [1300140094](#)
[130203-0054](#) [1300140026](#) [1300150099](#) [1-3637-600-5205](#) [1612618](#) [21036836414](#) [8R4006A16M010](#) [1R3006A20M005](#) [41-40011](#) [42-00006](#)
[42-01015](#) [4-22279-4](#) [4-22281-1](#) [4-22284-9](#) [43-00113](#) [43-01203](#) [41-40013](#) [42-00008](#) [43-00343](#) [43-01026](#) [43-01162](#) [43-01173](#) [43-10000](#)
[XS3P-M421-2](#) [600X518050X](#) [8R5006A16M020](#) [8R5006A16M005](#) [8R4000A16M010](#) [6-22279-3](#) [1605332](#) [N03FA03144](#) [1300140077](#) [43-](#)
[16213](#) [43-01338](#) [XS2RD4265](#) [XS2R-D426-1](#) [XS8A-0441](#) [859RD04-103R004](#) [860RD04-113R004](#) [860RD04-213R004](#) [1-213245-2](#)