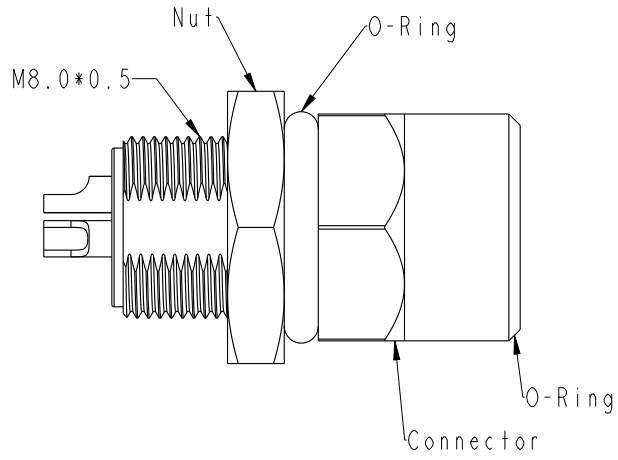
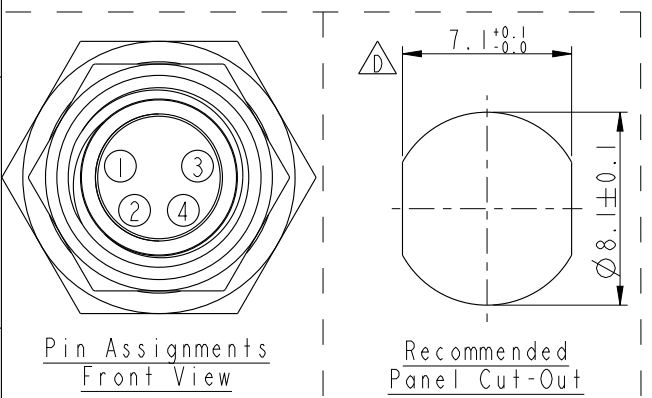
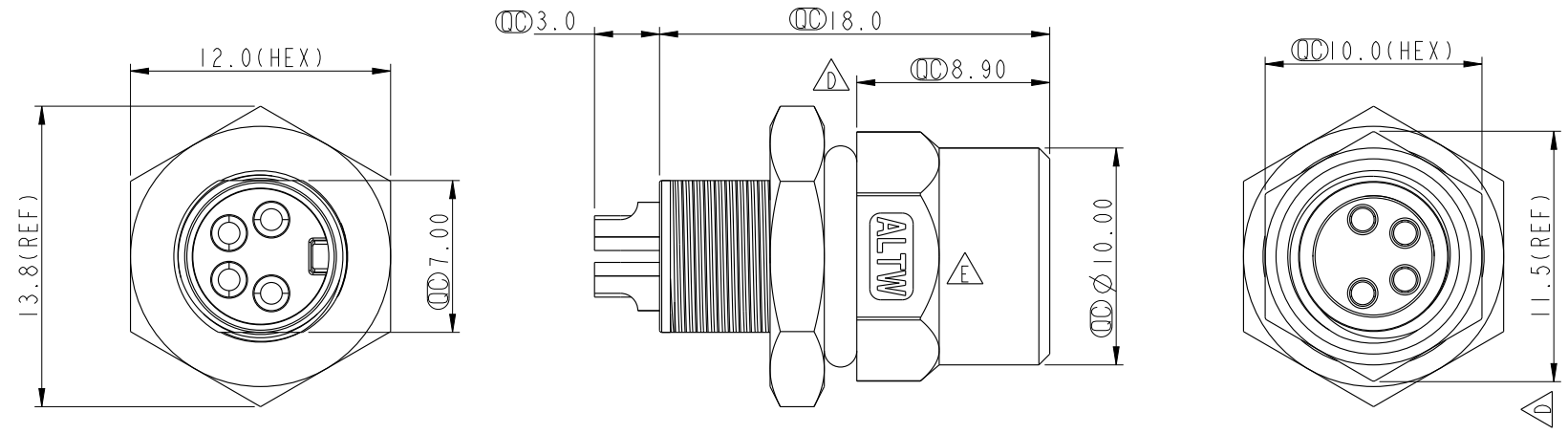


THIS DOCUMENT IS SUBJECT TO CHANGE WITHOUT NOTICE. IT IS CONFIDENTIAL AND A PROPERTY OF AMPHENOL LTW. DISCLOSURE TO THIRD PARTY HAS TO BE AUTHORIZED BY AMPHENOL LTW.

REV.	ECN NO.	DATE	SIGN	DESCRIPTION
C	LEN-7A0169	2007/09/29	Myrdal	Added Note
D	LEN-910184	2009/01/07	Ivan Lin	Change rev. to ECN note
E	C191918	2019/11/04	JC Chen	EXI



- Note:
- \*  $\varnothing$  Important Dimension.
  - \* Waterproof Rate: IP67
  - \* Connector: Black, Nylon+GF
  - \* Female Pin: Copper Alloy, Gold Plated
  - \* Shield: Zinc Alloy, Nickel Plated
  - $\triangle$  \* Nut: Copper Alloy, Nickel Plated
  - \* O-Ring: Black, EPDM
  - $\triangle$  \* O-Ring: Green, VITON
  - \* For Panel Thickness Max 4.5mm
  - $\triangle$  \* Nut Torque: 4-6 kgf.cm

UNIT: mm		TITLE $\triangle$ M8 Conn Panel Screw 4P F Conn F Pin		<h1>Amphenol LTW</h1> <p>安費諾亮泰企業股份有限公司</p>	ITEM NO	8-04PFFS-SH7001	DRAWN BY	Ivan Lin	DATE	2009/01/07			
		TOLERANCE	.X ±0.25 .XX ±0.1 .XXX ±0.05 ANGLES ±1°		SCALE	3:1	SIZE	A4	SHEET	1	OF	1	
		REV.	E	WC-REV.	A.3	$\varnothing$ : Inspection item		CUSTOMER	ALTW	APPROVED BY	Luke Chang	DATE	2009/01/07

## X-ON Electronics

Largest Supplier of Electrical and Electronic Components

*Click to view similar products for [Circular Metric Connectors](#) category:*

*Click to view products by [Amphenol](#) manufacturer:*

Other Similar products are found below :

[600X518037X](#) [6STD15PCR99B70A](#) [8R4000A16M020](#) [8R5000A16M005](#) [1200910002](#) [1203580030](#) [1200910008](#) [1200910011](#) [1300140094](#)  
[130203-0054](#) [1300140026](#) [1300150099](#) [1-3637-600-5205](#) [1612618](#) [21036836414](#) [8R4006A16M010](#) [1R3006A20M005](#) [41-40011](#) [42-00006](#)  
[42-01015](#) [4-22279-4](#) [4-22281-1](#) [4-22284-9](#) [43-00113](#) [43-01203](#) [41-40013](#) [42-00008](#) [43-00343](#) [43-01026](#) [43-01162](#) [43-01173](#) [43-10000](#)  
[XS3P-M421-2](#) [600X518050X](#) [8R5006A16M020](#) [8R5006A16M005](#) [8R4000A16M010](#) [6-22279-3](#) [1605332](#) [N03FA03144](#) [1300140077](#) [43-](#)  
[16213](#) [43-01338](#) [XS2RD4265](#) [XS2R-D426-1](#) [XS8A-0441](#) [859RD04-103R004](#) [860RD04-113R004](#) [860RD04-213R004](#) [1-213245-2](#)