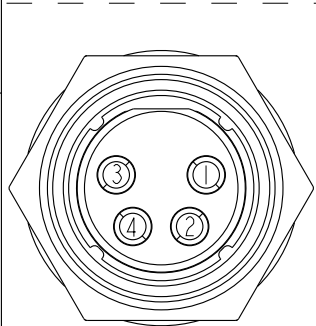
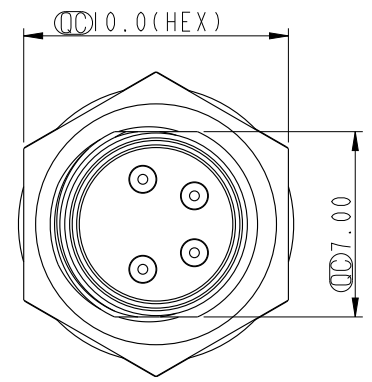
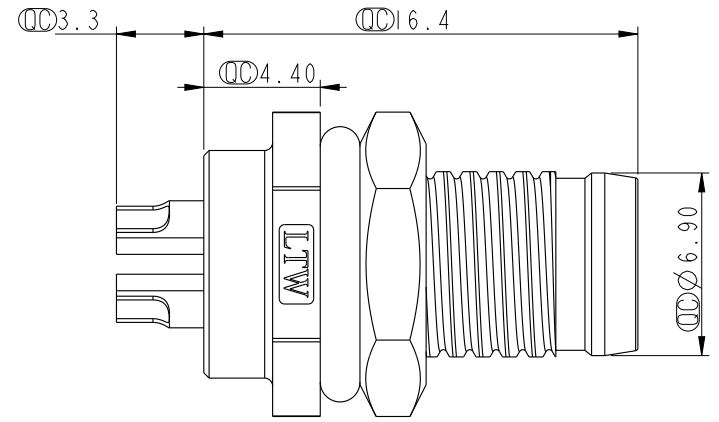
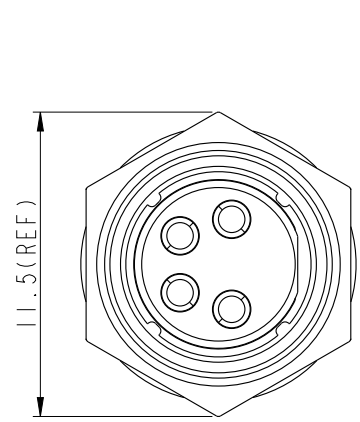
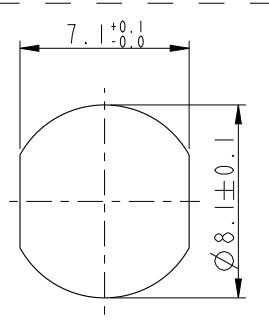


THIS DOCUMENT IS SUBJECT TO CHANGE WITHOUT NOTICE. IT IS CONFIDENTIAL AND A PROPERTY OF Amphenol LTW. DISCLOSURE TO THIRD PARTY HAS TO BE AUTHORIZED BY Amphenol LTW.

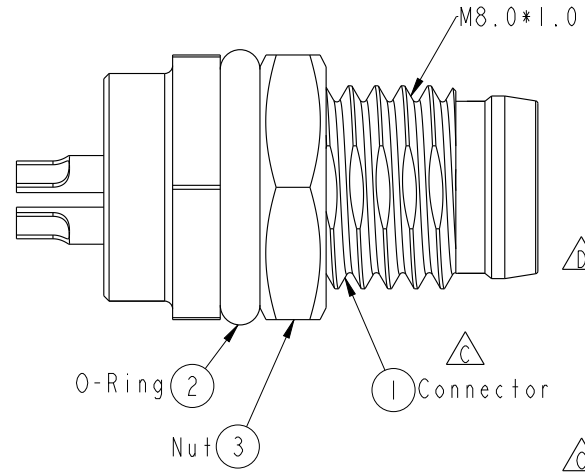
REV.	ECN NO.	DATE	SIGN	DESCRIPTION
B	LEN-7A0175	2007/09/29	Myrdal	Added Note
C	LEN-910188	2009/01/07	Ivan Lin	Change rev. to ECN note
D	CI92160	2019/12/21	Peng	$\triangle D$ XI



Pin Assignments
Front View



Recommended
Panel Cut-Out



- $\triangle D$ Note:
- * $\text{\textcircled{C}}$ Important Dimension.
 - * Waterproof Rate: IP67
 - * Housing: Black, Nylon+GF
 - * Male Pin: Copper Alloy, Gold Plated
 - * Shield: Zinc Alloy, Nickel Plated
 - * $\triangle C$ Nut: Copper Alloy, Nickel Plated
 - * O-Ring: Black, EPDM
 - * Panel Thickness For Snap-in Type Max 3.0mm
 - * $\triangle B$ Panel Thickness For Screw Type Max 1.9mm
 - * Nut Torque: 4-6 kgf.cm

UNIT:mm	$\text{\textcircled{C}}$	$\text{\textcircled{C}}$
TOLERANCE		
.X	± 0.25	
.XX	± 0.1	
.XXX	± 0.05	
ANGLES	$\pm 1^\circ$	

TITLE	$\triangle C$ M8 Conn Panel Screw 4P M Conn M Pin		
SCALE	7:2	SIZE	A4
REV.	D	WC-REV.	A.4
		$\text{\textcircled{C}}$	Inspection item

Amphenol LTW
安費諾亮泰企業股份有限公司

ITEM NO	8-04PMMS-SF7001	DRAWN BY	Ivan Lin	DATE	2009/01/07
DWG NO	8-04PMMS-SF7001	CHECKED BY	Tommy Hom	DATE	2009/01/07
CUSTOMER	ALTW	APPROVED BY	Luke Chang	DATE	2009/01/07

X-ON Electronics

Largest Supplier of Electrical and Electronic Components

Click to view similar products for [Circular Metric Connectors](#) category:

Click to view products by [Amphenol](#) manufacturer:

Other Similar products are found below :

[600X518037X](#) [6STD15PCR99B70A](#) [8R4000A16M020](#) [8R5000A16M005](#) [1200910002](#) [1203580030](#) [1200910008](#) [1200910011](#) [1300140094](#)
[130203-0054](#) [1300140026](#) [1300150099](#) [1-3637-600-5205](#) [1612618](#) [21036836414](#) [8R4006A16M010](#) [1R3006A20M005](#) [41-40011](#) [42-00006](#)
[42-01015](#) [4-22279-4](#) [4-22281-1](#) [4-22284-9](#) [43-00113](#) [43-01203](#) [41-40013](#) [42-00008](#) [43-00343](#) [43-01026](#) [43-01162](#) [43-01173](#) [43-10000](#)
[XS3P-M421-2](#) [600X518050X](#) [8R5006A16M020](#) [8R5006A16M005](#) [8R4000A16M010](#) [6-22279-3](#) [1605332](#) [N03FA03144](#) [1300140077](#) [43-](#)
[16213](#) [43-01338](#) [XS2RD4265](#) [XS2R-D426-1](#) [XS8A-0441](#) [859RD04-103R004](#) [860RD04-113R004](#) [860RD04-213R004](#) [1-213245-2](#)