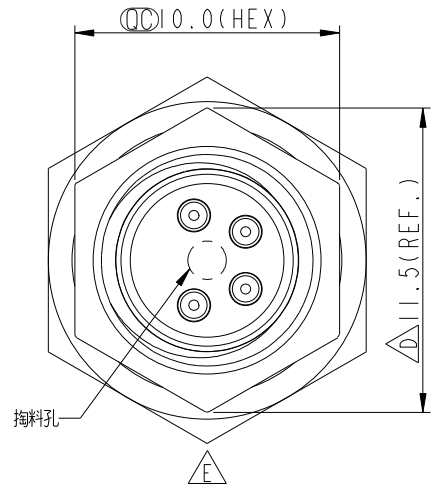
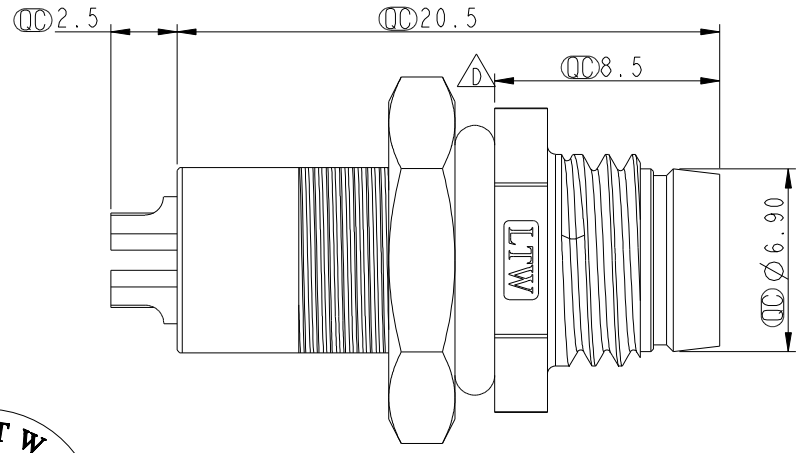
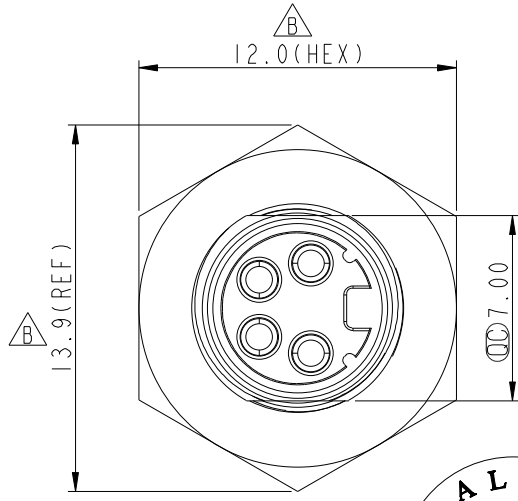
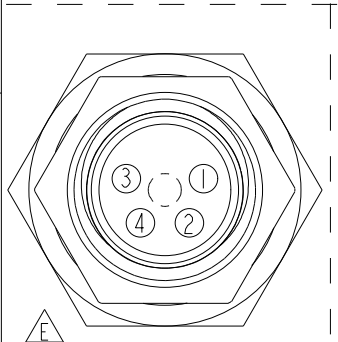


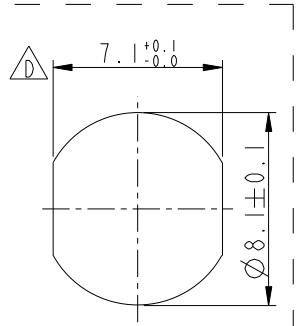
REV.	ECN NO.	DATE	SIGN	DESCRIPTION
B	LEN-750249	2007/05/26	Jason	Change Dimension of Nut
C	LEN-7A0171	2007/09/29	Myrdal	Added Note
D	LEN-910190	2009/01/07	Ivan Lin	Change rev. to ECN note
E	LEN1460127	2014/06/10	Jinhai	Change Drawing



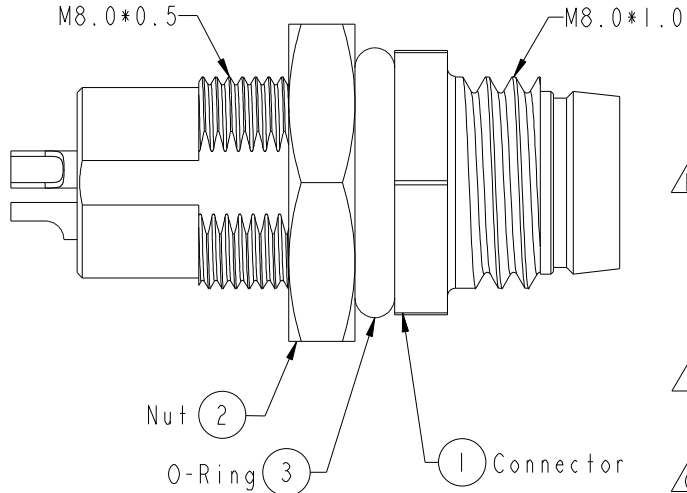
ALTW
CONFIDENTIAL
 2014-06-10
R&D DEPT.



Pin Assignments
Front View



Recommended
Panel Cut-Out



- Note:**
- * \varnothing Important Dimension.
 - * Waterproof Rate: IP67
 - * Housing: Nylon+GF, Black
 - * Male Pin: Copper Alloy, Gold Plated
 - * Shield: Zinc Alloy, Nickel Plated
 - \triangle * Nut: Copper Alloy, Nickel Plated
 - * O-Ring: EPDM, Black
 - * For Panel Thickness Max 3.5mm
 - \triangle * Nut Torque: 4-6 kgf.cm

UNIT:mm			TITLE \triangle M8 Conn Panel Screw 4P M Conn M Pin		
TOLERANCE .X ± 0.25 .XX ± 0.1 .XXX ± 0.05 ANGLES $\pm 1^\circ$	SCALE 7:2	SIZE A4	SHEET 1 OF 1	REV. E	WC-REV. A.3
			\varnothing : Inspection item		

Amphenol LTW
 安費諾亮泰企業股份有限公司

ITEM NO 8-04PMMS-SH7001	DRAWN BY Jinhai	DATE 2014/06/10
DWG NO 8-04PMMS-SH7001	CHECKED BY Tom-Gu	DATE 2014/06/10
CUSTOMER ALTW	APPROVED BY Jerry	DATE 2014/06/10

THIS DOCUMENT IS SUBJECT TO CHANGE WITHOUT NOTICE. IT IS CONFIDENTIAL AND A PROPERTY OF Amphenol LTW. DISCLOSURE TO THIRD PARTY HAS TO BE AUTHORIZED BY Amphenol LTW.

X-ON Electronics

Largest Supplier of Electrical and Electronic Components

Click to view similar products for [Circular Metric Connectors](#) category:

Click to view products by [Amphenol](#) manufacturer:

Other Similar products are found below :

[600X518037X](#) [6STD15PCR99B70A](#) [8R4000A16M020](#) [8R5000A16M005](#) [1200910002](#) [1203580030](#) [1200910008](#) [1200910011](#) [1300140094](#)
[130203-0054](#) [1300140026](#) [1300150099](#) [1-3637-600-5205](#) [1612618](#) [21036836414](#) [8R4006A16M010](#) [1R3006A20M005](#) [41-40011](#) [42-00006](#)
[42-01015](#) [4-22279-4](#) [4-22281-1](#) [4-22284-9](#) [43-00113](#) [43-01203](#) [41-40013](#) [42-00008](#) [43-00343](#) [43-01026](#) [43-01162](#) [43-01173](#) [43-10000](#)
[XS3P-M421-2](#) [600X518050X](#) [8R5006A16M020](#) [8R5006A16M005](#) [8R4000A16M010](#) [6-22279-3](#) [1605332](#) [N03FA03144](#) [1300140077](#) [43-](#)
[16213](#) [43-01338](#) [XS2RD4265](#) [XS2R-D426-1](#) [XS8A-0441](#) [859RD04-103R004](#) [860RD04-113R004](#) [860RD04-213R004](#) [1-213245-2](#)