

Reduced Flange 38999 Jam Nut Receptacles

Derived connector from MIL-DTL-38999 Series III



Description

Where Small Dimensions & Lower Weight are critical ...

Main Features

- Derived from MIL-DTL-38999 series III version
- For Jam Nut Receptacles (TV07/TVS07)
- Higher density on panel **41% average footprint surface reduction**
- Lighter: **20% average lighter than standard 38999 stand off receptacle**
- Mates with standard MIL-DTL-38999 series III plugs and caps
- Matches MIL-DTL-38999 series III performances
- Available in Crimp version, with PC Tail contacts, and in Stand Off version
- Reduced Flange Deviation (to be added at the end of your part number):
 - **F312** for Crimp and Standard PC Tail versions (F311 with safety castle nut*)
 - **F059** for Stand Off PC Tail versions (F058 with safety castle nut*)

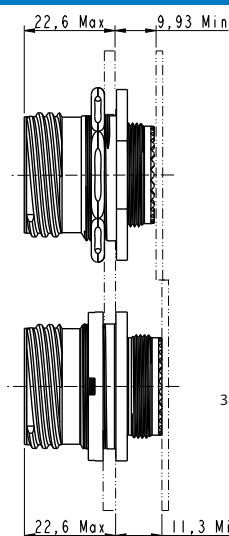


with
standard
castle nut

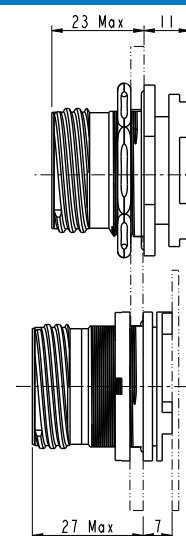
* with
safety
castle nut

Smaller Dimensions

LENGTH



Increase of internal length by 1,37 mm



Reduction of internal length by 4mm and increase of external length by 4mm

Markets & Applications



C4ISR, Battlefield, Ground vehicles



Missiles & UAVs



Avionics



Navy



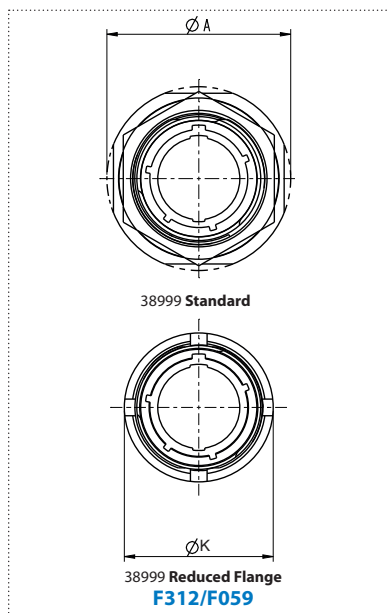
Applications:

- › Ethernet Switches
- › Tactical Radios, Computers

Reduced Flange 38999 Jam Nut Receptacles

Footprint Saving

Average 41% footprint reduction:



Shell Sizes	38999 standard diameter ØA max (mm)	38999 Reduced Flange (F312 & F059) diameter ØK max (mm)	Footprint reduction 38999 Standard vs 38999 Reduced Flange
9	30,5	22,1	47%
11	35,2	25,1	49%
13	38,4	28,1	46%
15	41,6	32,1	40%
17	44,8	36,1	35%
19	49,5	38,1	41%
21	52,7	41,1	39%
23	55,9	44,1	38%
25	59	48,1	34%

Weight Saving

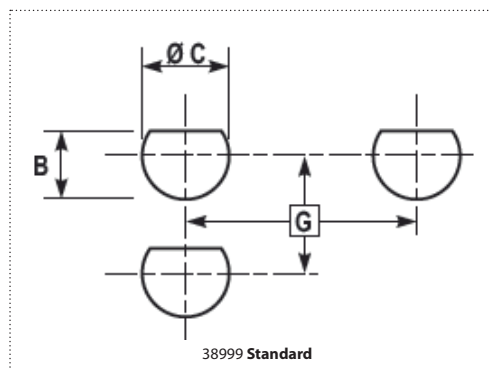
Average 20% weight reduction:

Examples :

38999 Series III stand off version: TV07WCI15-35P F459 = 40,7 g

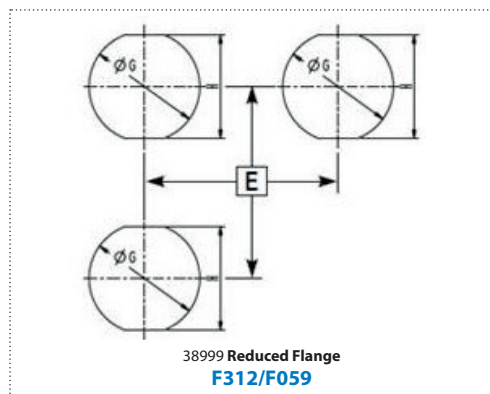
38999 Series III Reduced flange stand off version : TV07WCI15-35P F059 = 32,7 g

Panel Dimension



Sizes	38999 Standard		
	G	ØC ^{+0,25} / ₀	B ⁰ / _{0,25}
9	27,80	17,60*	16,70*
11	32,60	20,96*	19,59*
13	36,00	25,65*	24,26*
15	39,60	28,83*	27,56*
17	43,30	32,01*	30,73*
19	47,00	35,18*	33,91*
21	50,60	38,35*	37,08*
23	54,20	41,53*	40,26*
25	59,70	44,70*	43,43*

*tolerance is +0,10 / -0,06 for size A/9

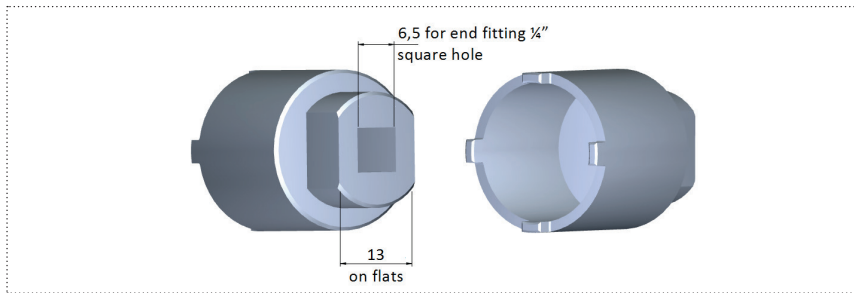


Sizes	38999 Reduced Flange		
	E min	ØG ^{+0,1} / ₀	H ^{+0,1} / ₀
9	23,8	17	16
11	27,0	20	19,1
13	31,4	23	22,3
15	34,5	27	25,5
17	37,7	31	30,3
19	40,5	33	31,9
21	43,7	36	35,1
23	46,9	39	38,3
25	51,0	43	41,5

Reduced Flange 38999 Jam Nut Receptacles

Tools

Need of a specific tool for castle nut :



Sizes	Tools Part Number
9	809681
11	809682
13	809683
15	809684
17	809685
19	809686
21	809687
23	809688
25	809689

How to order

Series	TV	07	R	W	-	11-35	P	A	-	F312	-
TV: Metallic shell											
Shell type 07: Jam nut receptacle (O.D.cadmium, black zinc nickel) S07: Jam nut receptacle (nickel, bronze)											
Contact type R: Crimp contacts (or connector delivered without contact) Blank for PC tail contacts and black zinc nickel plating											
Class W: Olive Drab Cadmium Plating (on aluminum) F: Nickel Plating (on aluminum) ✓ B: Marine Bronze ✓ ZN: Black Zinc Nickel Plated (on aluminum) ✓											
PC Tail Contacts Blank for crimp contacts CI: standard PCB contacts LI: long tail PCB contacts											
Shell size and Contact arrangement Please consult TV-CTV catalogue - Arrangement chapter											
Contact type P: Pin S: Socket											
Polarization Blank for neutral or A, B, C, D, E											
Contacts Blank for connectors delivered with contacts LC: Connector delivered without contacts											
Deviation F312: Crimp or standard PC Tail Reduced Flange F059: Stand off PC Tail Reduced Flange F311: Crimp or standard PC Tail Reduced Flange with safety castle nut F058: Stand off PC Tail Reduced Flange with safety castle nut											
Blank for Gold plated Crimp contacts Blank for Lead Tin PC Tails contacts LF: Silver Tin PC Tail contacts ✓ LFC: Silver Tin Copper PC Tail contacts ✓											

Examples: TV07RW1135PAF312 ; TV07WC11135PAF059LF.

✓: RoHS compliant

X-ON Electronics

Largest Supplier of Electrical and Electronic Components

Click to view similar products for [Circular MIL Spec Tools, Hardware & Accessories](#) *category:*

Click to view products by [Amphenol](#) *manufacturer:*

Other Similar products are found below :

[0113-201-2025](#) [600-079-06](#) [600-146-06](#) [602GB18808](#) [6134-333-1990](#) [6134-334-1590](#) [6134-334-2190](#) [CS3102A-22-14PW](#) [M2887615-CD](#)
[627-009](#) [M38999/9-19B](#) [630A007NF083A](#) [630B007M051A](#) [630BJ003NF032H](#) [637-149NF04B](#) [M39029/29-215](#) [6408-203V-09273](#) [6426-](#)
[201-11343](#) [650FS002NF16](#) [660-008NF14S7-01](#) [660-009M22H8-03](#) [660-013NF19U6-210](#) [660-015M10S6-17](#) [660-015NF10S5-01](#) [660-](#)
[015NF14R3.5-01](#) [660-023NF19H6-19](#) [660-024NF11S12-01](#) [660-024NF11S3-01](#) [660-024NF17S4-109](#) [660-050XM17F4-01](#) [660-068NF25R6-](#)
[30G](#) [660-070M23S8-04](#) [660-073MTCH9-20](#) [M83723/61-18W](#) [M83723/61-218R](#) [M83723/61-224W](#) [667-084-23C](#) [667-084-35C](#) [667-](#)
[224NF16](#) [687-697NF-1](#) [M85049/94-10-A](#) [M85049/96-7-A](#) [M855282-10A01A](#) [M85528/2-10B](#) [M855282-18A01A](#) [M85528/2-22A01A](#)
[M85528/2-22AA](#) [710HS460NF2508](#) [780-001-22G12-SK](#) [780-002-19G12-SK](#)