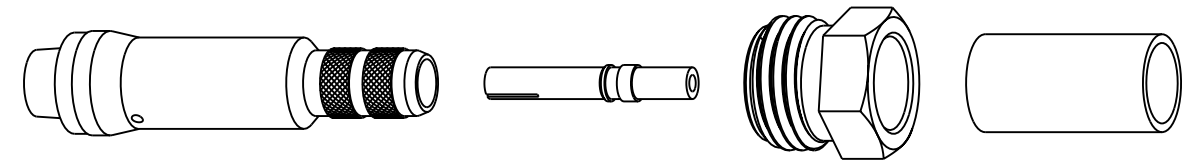


NOTES:

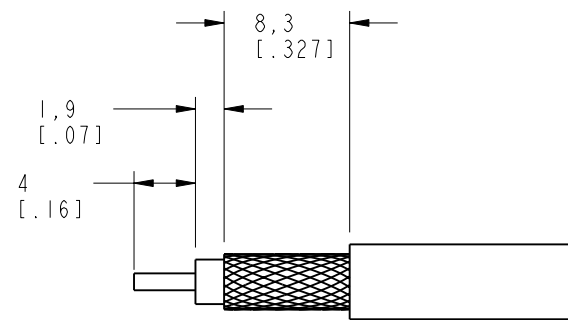
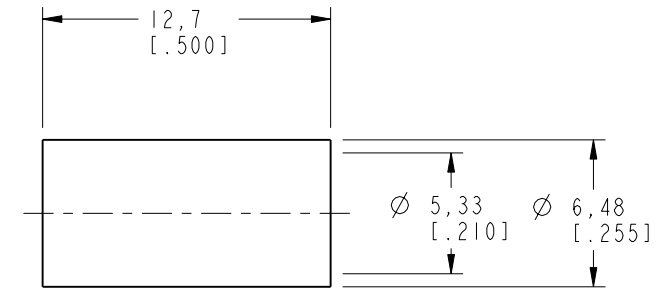
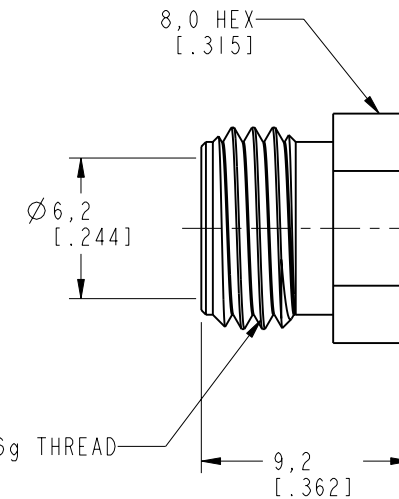
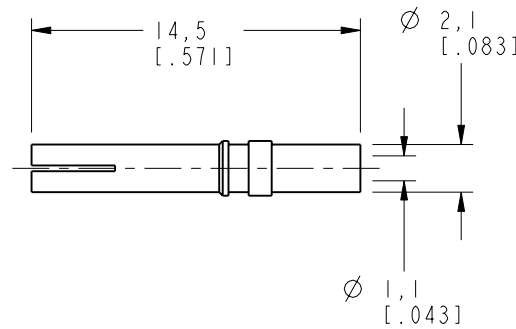
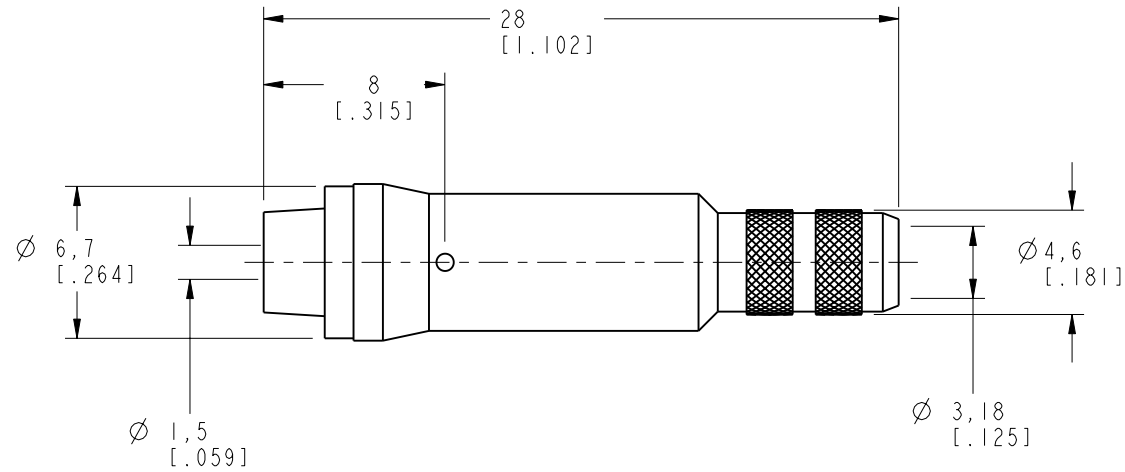
- MATERIALS OF CONSTRUCTION:
 BODY, HEX NUT = BRASS (ASTM-B16 H02, C36000), NICKEL PLATED (.000100 MIN OVER COPPER STRIKE)
 CONTACT PIN = PHOSPHOR BRONZE (QQ-B-750), GOLD PLATED (.000003 MIN OVER NICKEL .000100 MIN)
 FERRULE = COPPER, NICKEL PLATED (.000100 MIN OVER COPPER STRIKE)
 INSULATOR = PTFE PER ASTM D 1710 OR EQUIV.

- CRIMPED FERRULE = HEX CRIMP SIZE .213
 HEX CRIMP SIZE FOR CENTER CONTACT .068

81-160		REVISIONS			
DRAWING NO.	REV	DESCRIPTION	DATE	ECO	APPR
THIRD ANGLE PROJ.	A	RELEASE TO MFG.	7/21/94	39992	CPM
	E	SEE SHEET I	11/30/00	43596	CPM
	F	SEE SHEET I	9/17/03	44631	CPM



SCALE 2.000



RECOMMENDED CABLE STRIPPING DIMENSIONS
SCALE 2.000

CUSTOMER OUTLINE DRAWING
ALL OTHER SHEETS ARE FOR INTERNAL USE ONLY

UNLESS OTHERWISE SPECIFIED, DIMENSIONS ARE IN MM (INCHES) AND TOLERANCES ARE:
 0.5 - 6mm ±0.2mm
 6 - 30mm ±0.4mm
 30 - 120mm ±0.6mm

NOTICE - These drawings, specifications, or other data (1) are, and remain the property of Amphenol Corp. (2) must be returned upon request; and (3) are confidential and not to be disclosed to any person other than those to whom they are given by Amphenol Corp. The furnishing of these drawings, specifications, or other data by Amphenol Corp., or to any other person to anyone for any purpose is not to be regarded by implication or otherwise in any manner licensing, granting rights or permitting such holder or any other person to manufacture, use or sell any product, process or design, patented or otherwise, that may in any way be related to or disclosed by said drawings, specifications, or other data.

MATERIAL

REFERENCE
 EAR 964120-0 & 967670-0
 ANTENNA SPECIALISTS
 GEN# 81-197_ASSY

DRAWN
 C. McGRATH
 DATE
 11/9/00

ENGINEER
 O. BARTHELMES
 DATE
 11/9/00

APPROVED
 O. BARTHELMES
 DATE
 11/15/00

CAD FILE
 I:\MINI-UHF\81-160

TITLE
 FME (SAP) CONNECTOR
 CRIMP JACK
 .043 WIRE ENTRY, 50 OHM

Amphenol
 Amphenol Corporation
 Communication and Network
 Products Division
 Danbury, CT U.S.A. 06810

SCALE: 3.0:1 SHEET 2 OF 2

CODE ID 74868	DWG SIZE B	DRAWING NO. 81-160	REV F
------------------	---------------	-----------------------	----------

X-ON Electronics

Largest Supplier of Electrical and Electronic Components

Click to view similar products for [RF Connectors / Coaxial Connectors](#) category:

Click to view products by [Amphenol](#) manufacturer:

Other Similar products are found below :

[8915-1511-000](#) [89674-0827](#) [6001-7071-019](#) [6002-7051-003](#) [6002-7551-202](#) [6059674-1](#) [619550-1](#) [630059-000](#) [M39030/3-01N](#) [M3933/25-36N](#) [6500-7071-046](#) [6769](#) [CX050L2AQ](#) [7002-1542-011](#) [7004-1512-000](#) [7009-1511-004](#) [7010-1511-000](#) [7029-1511-060](#) [7101-1541-010](#) [7101-1571-002](#) [7105-1521-002](#) [7145-1521-002](#) [7203-1571-003](#) [7209-1511-011](#) [7210-1511-015](#) [7210-1511-019](#) [73137-5015](#) [73216-2241](#) [7325-1512-000](#) [73404-2300](#) [7405-1521-005](#) [7405-1521-802](#) [7406-1521-005](#) [8527](#) [8547](#) [FS11V](#) [8808-1511-001](#) [9049-9513-000](#) [9074-9513-000](#) [9101-9573-002](#) [910A205F](#) [9130-9573-002](#) [PL11SC-026](#) [PL375-33](#) [PL40-5](#) [PL71-9](#) [PL74C-221](#) [PL75MC-217](#) [PL803-7](#) [980-8666-005](#)