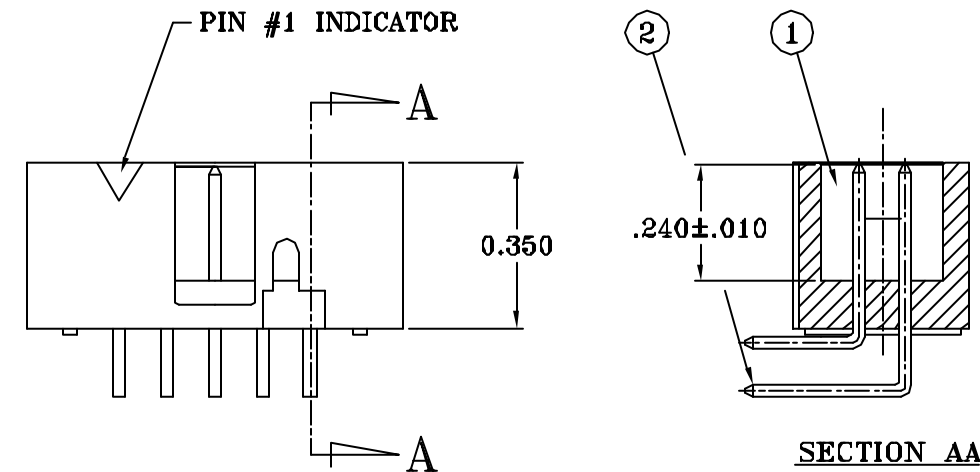
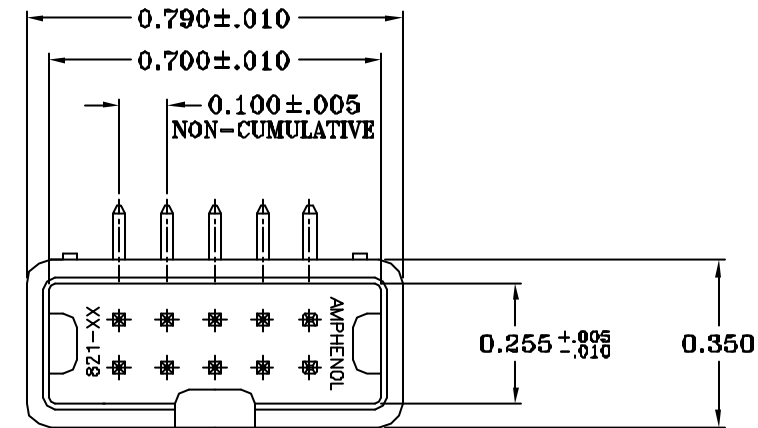
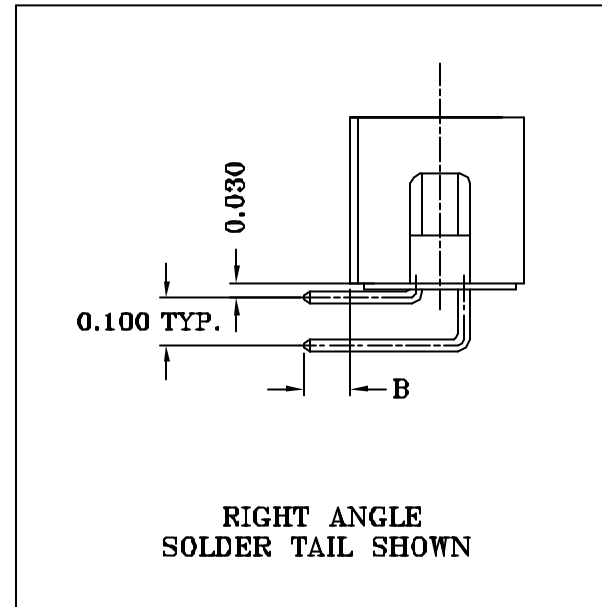
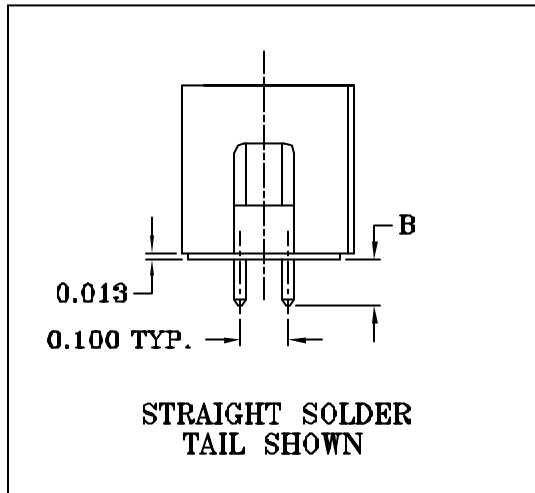


This document is the property of Amphenol Corporation and is delivered on the express condition that it is not to be disclosed, reproduced or used in whole or in part, for manufacture or sale by anyone other than Amphenol Corporation without the prior consent, and that no right is granted to disclose or to use any information in this document.

MANUFACTURING DRAWING

| REVISIONS | | | | |
|-----------|------------|---|----------|----------|
| SYM | ZONE | DESCRIPTION | DATE | APPROVED |
| A | ECN#HK1061 | PRIMARY RELEASE | 11/10/95 | TONY |
| B | HK3437 | ADD RoHS SYMBOL DUE TO COMPLY WITH RoHS | | IF |



| P/N | PACKING METHOD |
|------------------------|----------------------|
| 821-A310P-XXA/B/C/D-00 | PKS-821-001 METHOD 1 |
| 821-A310P-XXE-00 | PKS-821-001 METHOD 1 |
| 821-A310P-XXF-00 | PKS-821-001 METHOD 1 |

OPERATING CHARACTERISTICS

- 1> CURRENT CAPACITY: 1 Amp (DC) PER CONTACT.
- 2> VOLTAGE RATING (SEA LEVEL): 1500 VAC RMS.
- 3> OPERATING TEMPERATURE: -55°C TO +105°C.
- 4> BODY CONTACT RETENTION: 7 LBS. (IN BOTH DIRECTIONS)
- 5> LOW LEVEL CONTACT RESISTANCE: 50 MILLIOHMS (MAX.)
- 6> INSULATION RESISTANCE: 5000 MEGOHMS (MIN.)
- 7> DIELECTRIC WITHSTANDING VOLTAGE: 1500 AC RMS (AT SEA LEVEL)

NOTES: UNLESS OTHERWISE SPECIFIED

1. ALL DIMENSIONS ARE IN INCHES.
2. THIS HEADER MATES WITH IDC SOCKET (AMPHENOL 812 SERIES SOCKET)
3. RECOMMENDED PRINTED CIRCUIT BOARD LAYOUT:
SPACING: 0.100 ± 0.003
DIA. OF HOLES: 0.040 ± 0.003
4. MATERIALS:
HOUSING: GLASS REINFORCED POLYESTER, UL94V-0, COLOR-GRAY OR BLACK.
CONTACTS: PHOSPHOR BRONZE ALLOY.
FINISH: GOLD THICKNESS PLATED ON THE MATING LENGTH REFER TO THE PART NUMBER SYSTEM AND 100-200u" TIN/LEAD PLATED ON THE TAIL WITH 50-100u" NICKEL UNDERPLATED ALLOY.
5. MAX. CONTACT ROTATION ALLOWED 3°
6. THIS ITEM IS EQUIVALENT TO 821-A010P-XXX00S.
7. PACKING METHOD PER PKS-821-001.

| CONTACT CHARACTERISTICS | | |
|-------------------------|-----|-----------|
| STR. | R/A | B |
| E | F | .610±.015 |
| B | D | .160±.010 |
| A | C | .100±.010 |

| ITEM NO | PART OR IDENTIFICATION NO | NOMENCLATURE OR DESCRIPTION | QTY REQ'D |
|---------|---------------------------|-----------------------------|-----------|
| 1 | CONTACT | SEE THE TABLE ON SHEET 2 | 10 |
| 2 | INSULATOR | 800-2103-001S | 1 |

| UNLESS OTHERWISE SPECIFIED TOLERANCES | | APPROVAL | DATE |
|---------------------------------------|--------|--------------------------|----------|
| U.S. | METRIC | DRAWN | 11/10/95 |
| X +/- .015 | / | TONY | |
| XX +/- .010 | / | CHECKED | 11/10/95 |
| XXX +/- .006 | / | | |
| FRACTIONS +/- | / | | |
| ANGLES +/- | 2.5° | | |
| FOR MATERIALS AND FINISHES SEE NOTES | | FILE | |
| REMOVE SHARP EDGES | | \DRAWING\821\821A310.DWG | |
| DIMENSIONS | | ANGLE OF PROJECTION | |
| U.S. | INCHES | | |
| (METRIC) | (MM) | | |

Amphenol
Amphenol East Asia Limited
Manufacturing Operation

TITLE
821 BOX HEADER, 10 WAY WITH CENTER SLOT

| | | |
|------|-----------------|------|
| SIZE | DRAWING NO. | REV. |
| B | 821-A310P-XXX00 | A |

SCALE NONE SHEET 1 OF 2

This document is the property of Amphenol Corporation and is delivered on the express condition that it is not to be disclosed, reproduced or used in whole or in part, for manufacture or sale by anyone other than Amphenol Corporation without its prior consent, and that no right is granted to disclose or to use any information in this document.

MANUFACTURING DRAWING

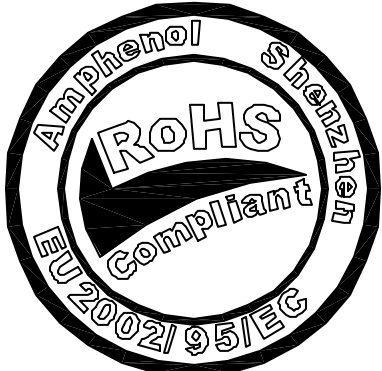
| REVISIONS | | | | |
|-----------|------|-------------|------|----------|
| SYM | ZONE | DESCRIPTION | DATE | APPROVED |
| | | SEE SHEET 1 | | |

821 BOX HEADER ASSEMBLY CODES FOR 10 WAY WITH CENTER SLOT

821 - A 310 P - XX X 00

| | |
|------|----------------|
| XXX | |
| SIZE | INSULATOR BODY |
| 010 | 800-2103-001S |

| CONTACT PLATING | | | CONTACT CHARACTERISTICS | |
|-----------------|--------------|--------------|-------------------------|---|
| XX | | | USAGE | X |
| AF | AM | BH | | |
| 0.000015 AU | 0.000030 AU | ALL TIN/LEAD | | |
| 800-2101-261 | 800-2101-231 | 800-2101-202 | STRAIGHT W/W | E |
| 800-2101-262 | 800-2101-232 | 800-2101-202 | R/A W/W | F |
| 800-2101-263 | 800-2101-233 | 800-2101-203 | R/A W/W | |
| 800-2101-264 | 800-2101-234 | 800-2101-204 | SHORT ST. S/T | A |
| 800-2101-265 | 800-2101-235 | 800-2101-205 | LONG ST. S/T | B |
| 800-2101-266 | 800-2101-236 | 800-2101-206 | SHORT R/A S/T | C |
| 800-2101-267 | 800-2101-237 | 800-2101-207 | SHORT R/A S/T | |
| 800-2101-268 | 800-2101-238 | 800-2101-208 | LONG R/A S/T | D |
| 800-2101-269 | 800-2101-239 | 800-2101-209 | LONG R/A S/T | |



| ITEM NO | PART OR IDENTIFICATION NO | NOMENCLATURE OR DESCRIPTION | QTY REQ'D |
|---------------------------------------|---------------------------|---|-----------|
| PARTS LIST | | | |
| UNLESS OTHERWISE SPECIFIED TOLERANCES | | APPROVAL | DATE |
| U.S. METRIC | | DRAWN TONY | 11/10/08 |
| X +/- .016 | / | CHECKED TONY | 11/10/08 |
| XX +/- .010 | | CHECKED | |
| XXX +/- .005 | | FILE | |
| FRACTIONS +/- | | DRAWING\821\821A310.DWG | |
| ANGLES +/- 0.6° | | ANGLE OF PROJECTION | |
| FOR MATERIALS AND FINISHES SEE NOTES | | | |
| REMOVE SHARP EDGES | | | |
| DIMENSIONS | | | |
| U.S. INCHES | | | |
| (METRIC) (MM) | | | |
| TITLE | | Amphenol | |
| | | Amphenol East Asia Limited Manufacturing Operation | |
| SIZE | | DRAWING NO. | |
| B | 821-A310P-XXX00 | A | |
| SCALE | | SHEET 2 OF 2 | |
| NONE | | | |

X-ON Electronics

Largest Supplier of Electrical and Electronic Components

Click to view similar products for [Headers & Wire Housings](#) category:

Click to view products by [Amphenol](#) manufacturer:

Other Similar products are found below :

[892-18-020-10-001101](#) [58102-G61-06LF](#) [582553-1](#) [0009485154](#) [009176003701906](#) [0050291907](#) [LY20-4P-DT1-P1E-BR](#) [02.125.8002.8](#)
[609-3404](#) [61062-3](#) [622-0430](#) [622-3653LF](#) [63453-116](#) [636-1030](#) [636-1427](#) [636-3427](#) [636-4007](#) [641938-9](#) [641991-4](#) [644827-2](#) [65817-010LF](#)
[65817-015LF](#) [65863-015LF](#) [66207-023LF](#) [67095-007LF](#) [67601157](#) [68648-049](#) [70.362.1628.0](#) [70-4210](#) [70-4226B](#) [70-4853B](#) [707-5020](#) [707-5028](#) [71.350.2428.0](#) [71918-208LF](#) [71961-016LF](#) [733-134](#) [733-162](#) [754199-000](#) [760-3052](#) [787-8014-00](#) [79531-3000](#) [FCN-360C032-B](#) [FCN-367T-T012/H](#) [FCN-723D010/2](#) [80.063.4001.1](#) [800-90-001-10-001000](#) [800-90-010-10-002000](#) [801-43-002-10-013000](#) [801-43-006-10-002000](#)