

NOTES:

1. MATERIALS AND FINISHES:  
 BODY, OUTER CONTACT,  
 COUPLING NUT & CLAMP NUTS - BRASS, NICKEL PLATING  
 CONTACT - BRASS, GOLD PLATING  
 INSULATORS - PTFE, NATURAL  
 WASHERS - BRASS & COPPER, NICKEL PLATING  
 RETAINING RING - PHOSPHOR BRONZE & SUS304, NATURAL  
 GASKETS - SILICONE RUBBER, RED
2. ELECTRICAL:  
 A. IMPEDANCE: 50 OHM  
 B. FREQUENCY RANGE: DC - 11 GHz
3. MECHANICAL:  
 A. DURABILITY: 500 CYCLES MIN.  
 B. TEMPERATURE RANGE: -65°C TO +165°C

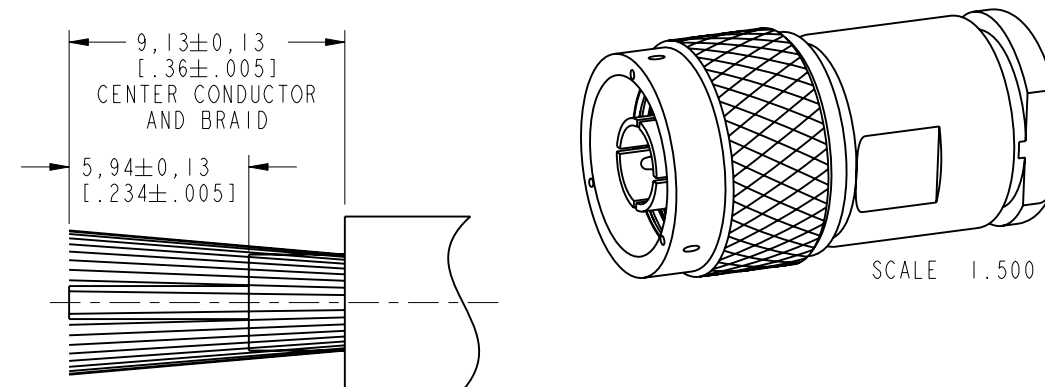
4. PACKAGING:  
 A. QUANTITY: SINGLE PACK  
 B. MARKING: BAG TO BE MARKED  
 "AMPHENOL RF, 82-3312, AND DATE CODE"
5. CABLE ASSEMBLY INSTRUCTIONS:  
 A. STRIP CABLE AS SHOWN.  
 B. SLIDE CLAMP NUT, WASHER, GASKET & BRAID CLAMP OVER CABLE SHEATH.  
 C. COMB OUT THE BRAID AND FOLD BACK.  
 D. SLIDE WASHER OVER DIELECTRIC. PUSH FIRMLY AGAINST BRAID AND BRAID CLAMP.  
 E. SLIDE INSULATOR TWO OVER CONTACT.  
 F. SOLDER CABLE CENTER CONDUCTOR TO CENTER CONTACT.  
 G. SLIDE INSULATOR ONE OVER CONTACT.  
 H. SLIDE SUB-ASSEMBLY TO THE REAR SIDE OF THE BODY AND TIGHTEN WITH  
 PROPER SPANNER. MAKE ENSURE INTERFACE DIMENSIONS TO MEET.

6 SHOWS CABLE ENTRY DIMENSIONS.

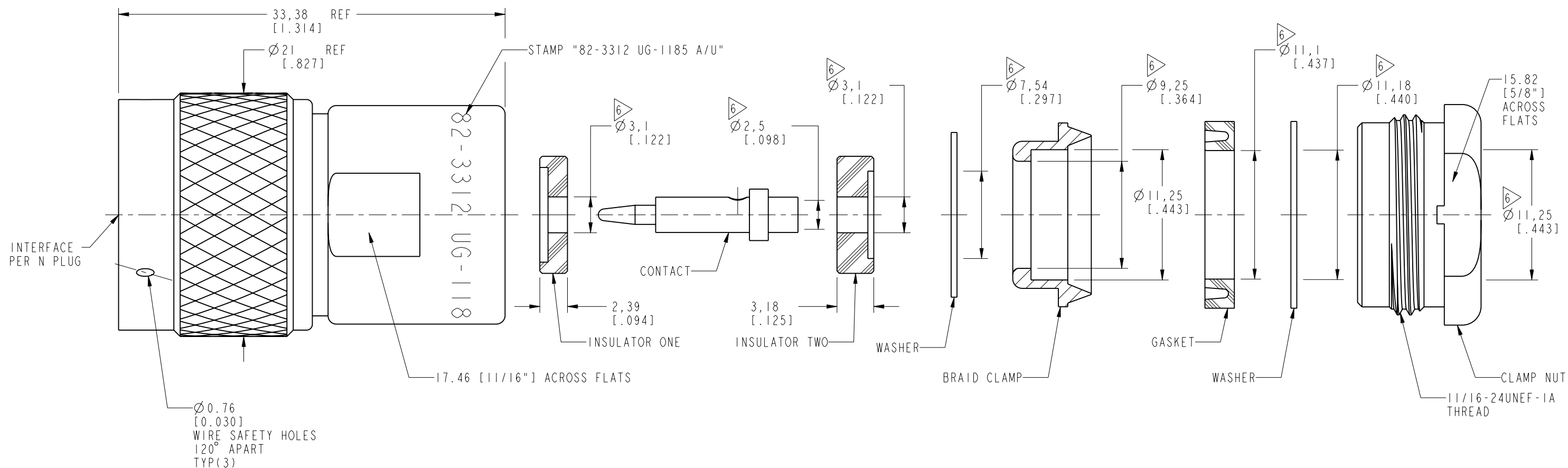
THIRD ANGLE PROJ.

REVISIONS

| REV | DESCRIPTION     | DATE      | ECN  | APPR |
|-----|-----------------|-----------|------|------|
| --  | RELEASE TO MFG. | --        | --   | --   |
| T   | COD SHEET ADDED | 17-Nov-17 | 5661 | RM   |



**RECOMMENDED CABLE STRIPPING DIMENSIONS**



**CUSTOMER OUTLINE DRAWING**  
 ALL OTHER SHEETS ARE FOR INTERNAL USE ONLY

UNLESS OTHERWISE SPECIFIED, DIMENSIONS ARE IN METRIC AND TOLERANCES ARE:  
 <0.5mm ±0.05mm    0.5 - 6mm ±0.1mm    6 - 30mm ±0.2mm    30 - 120mm ±0.3mm    ANGLES ±1°

NOTICE - These drawings, specifications, or other data (1) are, and remain the property of Amphenol corp. (2) must be returned upon request; and (3) are confidential and not to be disclosed to any person other than those to whom they are given by Amphenol Corp. the furnishing of these drawings, specifications, or other data by Amphenol Corp., or to any other person to anyone for any purpose is not to be regarded by implication or otherwise in any manner licensing, granting rights to permitting such holder or any other person to manufacture, use or sell any product, process or design, patented or otherwise, that may in any way be related to or disclosed by said drawings, specifications, or other data.

|                              |                       |                   |  |  |
|------------------------------|-----------------------|-------------------|--|--|
| MATERIAL<br>SEE NOTES        | DRAWN<br>A ARUN PRABU | DATE<br>20-Oct-17 | TITLE<br>N STR CLAMP PLUG FOR<br>UG-1185A/U, RG 8/U, 9/U,<br>87A/U, 213/U, 214/U & 225/U<br>CABLE CAPTIVATED CONTACT | <p style="text-align: center;">Amphenol RF</p> <p style="text-align: center;">www.amphenolrf.com</p> |
| REFERENCE                    | ENGINEER<br>M. HOYACK | DATE<br>20-Oct-17 | SCALE: 2.9:1.0 SHEET 2 OF 2  |  |
| EAR#                         | APPROVED<br>S. HSIEH  | DATE<br>17-Nov-17 | DWG SIZE<br>B  | DRAWING NO. 82-3312  |
| REF:                         | CAD FILE              |                   | REV<br>T   | ITEM NO. 82-3312   |
| CONFIGURATION LEVEL: In Work |                       |                   |  | PART NO. 82-3312   |
| FINISH                       |                       |                   |  |  |

## X-ON Electronics

Largest Supplier of Electrical and Electronic Components

*Click to view similar products for [RF Connectors / Coaxial Connectors](#) category:*

*Click to view products by [Amphenol](#) manufacturer:*

Other Similar products are found below :

[8915-1511-000](#) [89674-0827](#) [6001-7071-019](#) [6002-7051-003](#) [6002-7551-202](#) [6059674-1](#) [619550-1](#) [630059-000](#) [M39030/3-01N](#) [M3933/25-36N](#) [6500-7071-046](#) [6769](#) [CX050L2AQ](#) [7002-1542-011](#) [7004-1512-000](#) [7009-1511-004](#) [7010-1511-000](#) [7029-1511-060](#) [7101-1541-010](#) [7101-1571-002](#) [7105-1521-002](#) [7145-1521-002](#) [7203-1571-003](#) [7209-1511-011](#) [7210-1511-015](#) [7210-1511-019](#) [73137-5015](#) [73216-2241](#) [7325-1512-000](#) [73404-2300](#) [7405-1521-005](#) [7405-1521-802](#) [7406-1521-005](#) [8527](#) [8547](#) [FS11V](#) [8808-1511-001](#) [9049-9513-000](#) [9074-9513-000](#) [9101-9573-002](#) [910A205F](#) [9130-9573-002](#) [PL11SC-026](#) [PL375-33](#) [PL40-5](#) [PL71-9](#) [PL74C-221](#) [PL75MC-217](#) [PL803-7](#) [980-8666-005](#)