

NOTES:

1. MATERIALS AND FINISHES :  
 BODY, OUTER CONTACT & COUPLING NUT - BRASS, SILVER PLATING  
 CONTACT - BRASS, GOLD PLATING  
 REAR CONTACT - BeCu, GOLD PLATING  
 FERRULE - COPPER, SILVER PLATING  
 INSULATORS - PTFE, NATURAL  
 RETAINING RING - PHOSPHOR BRONZE, NATURAL  
 GASKET - SILICONE RUBBER, RED
2. ELECTRICAL:  
 A. IMPEDANCE: 50 OHM
3. MECHANICAL:  
 A. DURABILITY: 500 CYCLES MIN.  
 B. TEMPERATURE RANGE: -65°C TO +165°C

4. PACKAGING:  
 A. QUANTITY: SINGLE PACK  
 B. MARKING: BAG TO BE MARKED "AMPHENOL RF, 82-4440 AND DATE CODE"
5. CABLE ASSEMBLY INSTRUCTIONS:  
 A. TRIM CABLE AS SHOWN.  
 B. INSERT CABLE CENTER CONDUCTOR TO CONTACT.  
 C. SOLDER CONTACT TO CABLE OR CRIMP CONTACT TO CABLE.  
 CRIMP CONTACT WITH AMPHENOL TOOL M22520/1-01 WITH M22520/1-13 POSITIONER OR (AMPHENOL TOOL FRAME 227-944 WITH AMPHENOL DIE SET 221-1221-25, CLOSURE 'B' (0.100 HEX) NON CONFORMING).  
 D. INSERT CABLE INTO CONNECTOR WITH BRAID OVER KNURL UNTIL IT BOTTOMS.  
 E. CRIMP FERRULE WITH AMPHENOL TOOL 227-944 (M22520/5-01) AND DIE SET 227-1221-25 CAVITY 'A' OR (M22520/5-25, CLOSURE 'A') (0.429 HEX).

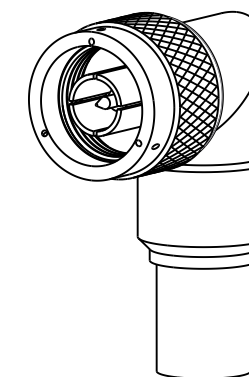
6 SHOWS CABLE ENTRY DIMENSIONS.

THIRD ANGLE PROJ.

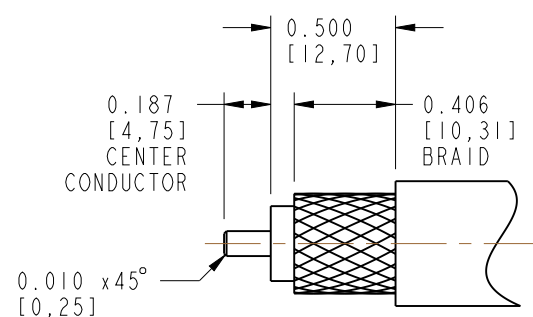
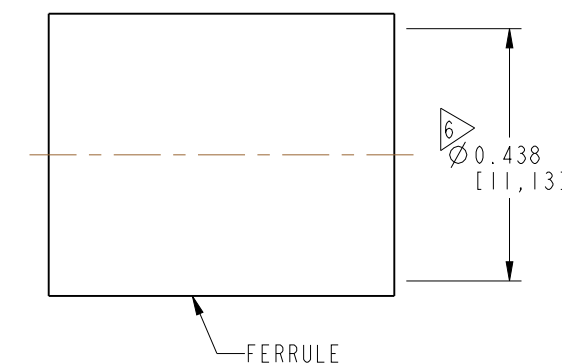
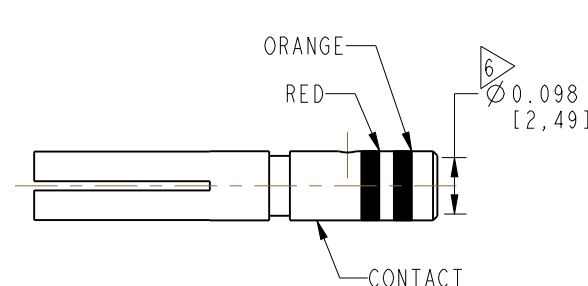
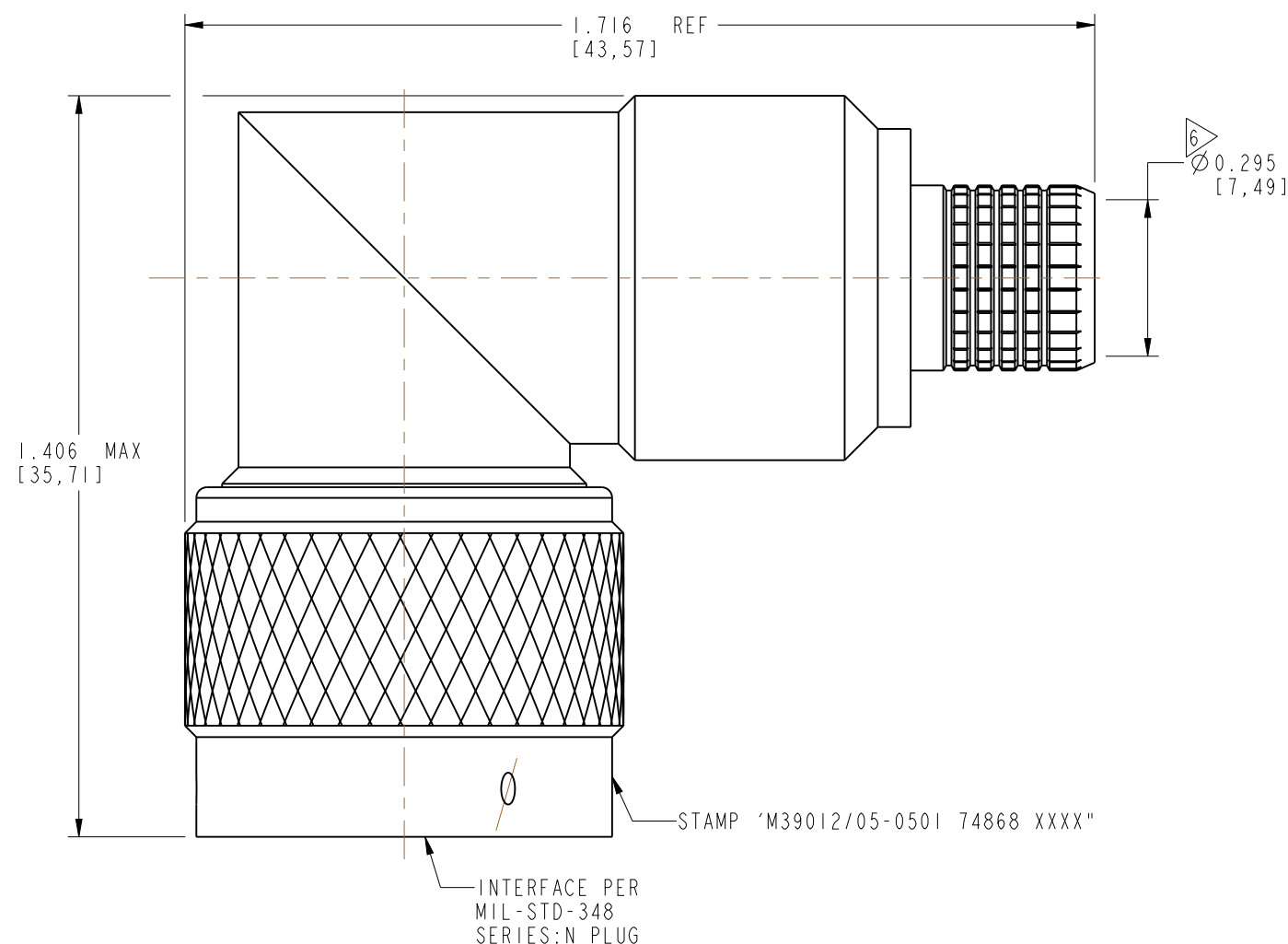
REVISIONS

REV	DESCRIPTION	DATE	ECO	APPR
--	RELEASE TO MFG.	--	--	--
AB	FORMAT UPDATED	07-Nov-16	00601	KR
AC	METRIC UNITS ADDED	06-Jun-18	8273	AG
AD	NO CHANGES TO THIS SHEET	15-Nov-18	09681	BEW

MIL-C-39012 INSPECTION



SCALE 1.000



RECOMMENDED CABLE STRIPPING DIMENSIONS

THIS CONNECTOR IS COVERED BY U.S. PATENT 3,439,294 & 3,474,391

CUSTOMER OUTLINE DRAWING

ALL OTHER SHEETS ARE FOR INTERNAL USE ONLY

UNLESS OTHERWISE SPECIFIED, DIMENSIONS ARE IN INCHES AND TOLERANCES ARE: 2 PLACE DECIMAL 3 PLACE DECIMAL ANGLES ±.015 (0,381 mm) ±.005 (0,127 mm) ± 1°	MATERIAL	DRAWN	DATE	TITLE N RA PLUG MIL-CRIMP (CATEGORY D) FOR RG 9, 214, 225 & 393/U CABLES		Amphenol RF www.amphenolrf.com
	SEE NOTES	KARTHIK R	30-Mar-16			
NOTICE - These drawings, specifications, or other data (1) are, and remain the property of Amphenol corp. (2) must be returned upon request; and (3) are confidential and not to be disclosed to any person other than those to whom they are given by Amphenol Corp. the furnishing of these drawings, specifications, or other data by Amphenol Corp., or to any other person to anyone for any purpose is not to be regarded by implication or otherwise in any manner licensing, granting rights to permitting such holder or any other person to manufacture, use or sell any product, process or design, patented or otherwise, that may in any way be related to or disclosed by said drawings, specifications, or other data.	REFERENCE	ENGINEER	DATE	SCALE: 3.0:1.0 SHEET 2 OF 2		DRAWING NO.82-4440
	DOR 309188-51 AND MIL-C-39012/05-0501	O. BARTHELMES	18-Nov-13			
	CONFIGURATION LEVEL: In Work	APPROVED	DATE	DWG SIZE B		REV
FINISH	K. CAPOZZI	06-Jun-18	AD			PART NO.82-4440

## X-ON Electronics

Largest Supplier of Electrical and Electronic Components

*Click to view similar products for [RF Connectors / Coaxial Connectors](#) category:*

*Click to view products by [Amphenol](#) manufacturer:*

Other Similar products are found below :

[8915-1511-000](#) [89674-0827](#) [6001-7071-019](#) [6002-7051-003](#) [6002-7551-202](#) [6059674-1](#) [619550-1](#) [630059-000](#) [M39030/3-01N](#) [M3933/25-36N](#) [6500-7071-046](#) [6769](#) [CX050L2AQ](#) [7002-1542-011](#) [7004-1512-000](#) [7009-1511-004](#) [7010-1511-000](#) [7029-1511-060](#) [7101-1541-010](#) [7101-1571-002](#) [7105-1521-002](#) [7145-1521-002](#) [7203-1571-003](#) [7209-1511-011](#) [7210-1511-015](#) [7210-1511-019](#) [73137-5015](#) [73216-2241](#) [7325-1512-000](#) [73404-2300](#) [7405-1521-005](#) [7405-1521-802](#) [7406-1521-005](#) [8527](#) [8547](#) [FS11V](#) [8808-1511-001](#) [9049-9513-000](#) [9074-9513-000](#) [9101-9573-002](#) [910A205F](#) [9130-9573-002](#) [PL11SC-026](#) [PL375-33](#) [PL40-5](#) [PL71-9](#) [PL74C-221](#) [PL75MC-217](#) [PL803-7](#) [980-8666-005](#)