

C Connectors



C Connectors

Description

C Connectors are medium size and weatherproof. Coupling is two-stud bayonet lock. C connectors provide constant 50 Ω impedance. They may be used with 75 Ω cable, at lower frequencies (below 300 MHz) where no serious mismatch is introduced.

Features/Benefits

- Two-stud bayonet lock allows quick & easy coupling

Applications

- Airframe
- Cable Assemblies
- Instrumentation
- MIL Aerospace
- Test & Measurement

C Specifications

Electrical

Impedance	50 Ω nominal
Frequency range	DC - 11 GHz (1,500 volt type) DC - 2 GHz (4,000 volt type)
VSWR	1.35 max. @ DC - 11 GHz
Voltage rating (at sea level)	≥ 1,500 Vrms or 4,000 Vrms (depending on cable)
Contact resistance	center contact: ≤ 1 mΩ outer contact: ≤ 0.2 mΩ
Insulation resistance	5,000 MΩ minimum
Insertion loss maximum	≤ 0.15 dB @ 10 GHz
Dielectric withstanding voltage	3,000 Vrms (at sea level), 1,500 volt type 6,000 Vrms (at sea level), 4,000 volt type

Mechanical

Mating	2-stud bayonet lock
Braid/Jacket cable affixment	Braid clamp
Durability (matings)	500 cycles minimum

Environmental

Temperature range	-65°C to +165°C
Weatherproof	All, except as noted
Hermetic seals	Helium leak test, 2 x 10 ⁻⁸ cc/sec.
Pressurized	Compression seal

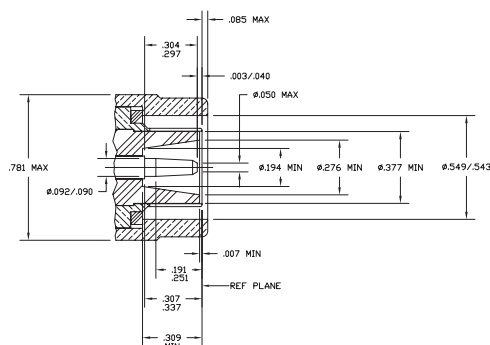
Material

Male contact	Brass, silver plated (except M39012 gold)
Female contact	Beryllium copper center and outer, silver plated (except M39012 gold)
Other metal parts	Brass, nickel plated (except M39012 silver plated)
Insulator	PTFE, glass TFE (hermetically sealed)
Gasket	Silicone rubber (weatherproof)

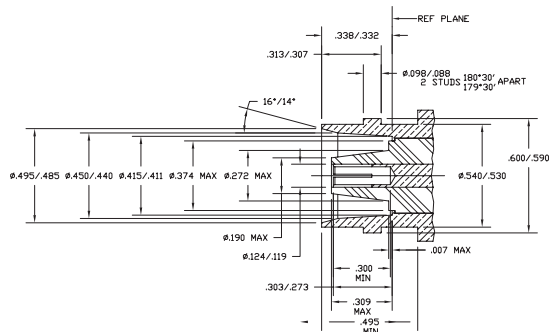
Military

MIL-C-39012	where applicable
MIL-A-55339	where applicable

Plug



Jack



Note: These characteristics are typical but may not apply to all connectors.

Cable Connectors

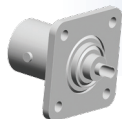


Straight Plugs

Cable Group	Part Number	Plating		Termination		Description
		Body	Contact	Body	Contact	
G4	082-530	Nickel	Silver	Clamp	Solder	UG-573
G4	082-532	Nickel	Silver	Clamp	Solder	UG-532

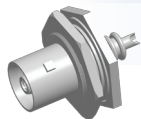
Receptacles

Panel Jacks: 4-Hole Flange



Part Number	Body	Plating	Contact	Termination

Straight Bulkhead Jacks



Part Number	Body	Plating	Contact	Termination

Notes

Cable Group	Cable Type
A	RG-178, 196
B	RG-174, 188A, 316, Belden 7805
B1	RG-179, 187, Belden 9221
B2	RD-188/U, RD-316/U
B3	RD-179/U, AT&T 19224L2
C	RG-58, 58A, 58C, 141, 303, LMR195, Belden 7806A, 9907
C1	RG-55, 142, 223, 400
C2	LMR200, Belden 7807A
D	RG-58/U Plenum, Thinnet, RG-122/U, Belden 88240, 89907
E	RG-59, 62, 140, 210, Belden 8241, 8263, 8279, 9209
E1	RG-59/U 20 AWG center conductor, Belden 1426A, 1505A, 9100, 9278
E2	RD-59/U, Belden 8281, 9141, 9231
E3	RG-59/U Quad Shield, Belden 1152A
F	RG-59/U Plenum, Belden 1560A, 9259, 82259, 89259, 88241
F1	RG-59/U Plenum 20 AWG center conductor, Belden 82108
G1	RG-6, 143, 212
G2	8X, LMR240, Belden 7808A, 9258
G3	LMR400, Belden 7810A, 8214, 9913
G4	RG-8, 8A, 9, 87A, 213, 214, 225, 393
G5	RD-6/U
H	RG-11
H1	Belden 1694A, 9248
H2	Belden 1859A, 7731, 8213, 9292
H3	RG-54A/U
I	AT&T 734A, Belden 1505A
I2	AT&T 735A, Belden 735A1
J	Quad 59 headend cable
K	LMR600
K2	Belden 1695A
K3	RG-122, 180, 195, Belden 1855, 1865A, 8218
L	.141 semi-rigid, RG-402/U
L2	.085, .086, .087 semi-rigid, RG-405/U
L3	.250 semi-rigid
L4	.047 semi-rigid, Belden 1674
M	1/2 inch annular corrugated
M1	1 1/4 inch annular corrugated
M2	1 5/8 inch annular corrugated
M3	7/8 inch annular corrugated
N	1/4 Helical
N1	3/8 Helical
N2	1/2 Helical
N3	7/8 inch SFC
P1	.81 mm OD micro-cable
P2	1.13 mm OD micro-cable, TCB-068
P3	1.32 mm OD micro-cable
P4	1.37 mm OD micro-cable

X-ON Electronics

Largest Supplier of Electrical and Electronic Components

Click to view similar products for [RF Connectors / Coaxial Connectors](#) category:

Click to view products by [Amphenol](#) manufacturer:

Other Similar products are found below :

[8915-1511-000](#) [89674-0827](#) [6001-7071-019](#) [6002-7051-003](#) [6002-7551-202](#) [6059674-1](#) [619550-1](#) [630059-000](#) [M39030/3-01N](#) [6500-7071-046](#) [6769](#) [CX050L2AQ](#) [7002-1542-011](#) [7004-1512-000](#) [7009-1511-004](#) [7010-1511-000](#) [7029-1511-060](#) [7101-1541-010](#) [7101-1571-002](#) [7105-1521-002](#) [7145-1521-002](#) [7203-1571-003](#) [7209-1511-011](#) [7210-1511-015](#) [7210-1511-019](#) [73137-5015](#) [73216-2241](#) [7325-1512-000](#) [73404-2300](#) [7405-1521-005](#) [7405-1521-802](#) [7406-1521-005](#) [8527](#) [8547](#) [FS11V](#) [8808-1511-001](#) [9049-9513-000](#) [9074-9513-000](#) [9101-9573-002](#) [910A205F](#) [9130-9573-002](#) [PL11SC-026](#) [PL375-33](#) [PL40-5](#) [PL71-9](#) [PL74C-221](#) [PL75MC-217](#) [PL803-7](#) [980-8666-005](#) [1200690078](#)