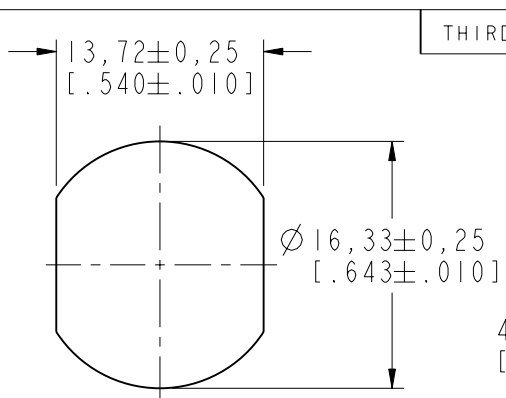
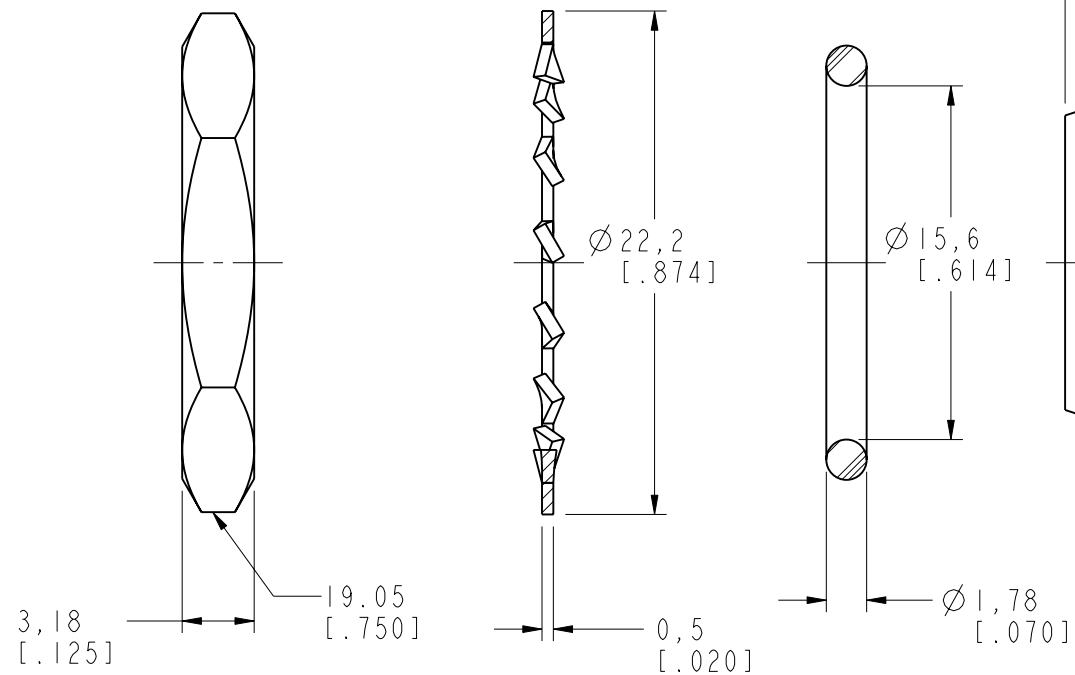


NOTES:

- MATERIAL AND FINISH:
 BODY & HEX NUT- BRASS, NICKEL PLATING
 CONTACT - PHOSPHOR BRONZE, GOLD PLATING
 LOCK WASHER - PHOSPHOR BRONZE, NICKEL PLATING
 INSULATOR - PTFE, NATURAL
 O-RING - SILICONE RUBBER
 FERRULE - COPPER, NICKEL PLATING
 HEAT SHRINK TUBING - POLYOLEFIN, BLACK
- WHEN CRIMPING CONTACT TO CABLE, CRIMP WITH AMPHENOL TOOL 999-227 AND DIE SET 227-1221-57, CAVITY 'B'. HEX CRIMP SIZE .100"
- CRIMP FERRULE OVER BRAID AND BODY WITH AMPHENOL TOOL 227-944 AND DIE SET 227-1221-57, CAVITY 'A'. HEX CRIMP SIZE .213"
- THIS CONNECTOR CAN BE USED ON CABLE:
 RG55/U, 55A/U, 55B/U, 142U, 142B/U&223/U CABLE
- INDICATES CABLE ENTRY DIMS.

6. MAX. PANEL THK. 6.35 [.250]

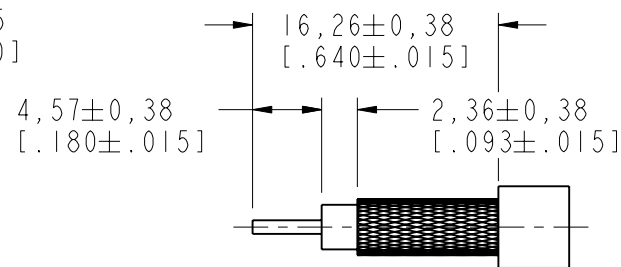
7. HST IS ONLY PROVIDED WHEN PROCURED FROM AMPHENOL RF SHENZHEN



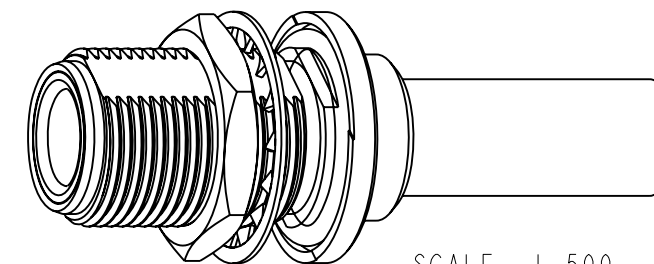
RECOMMENDED MOUNTING HOLE
SCALE 2.000

THIRD ANGLE PROJ.

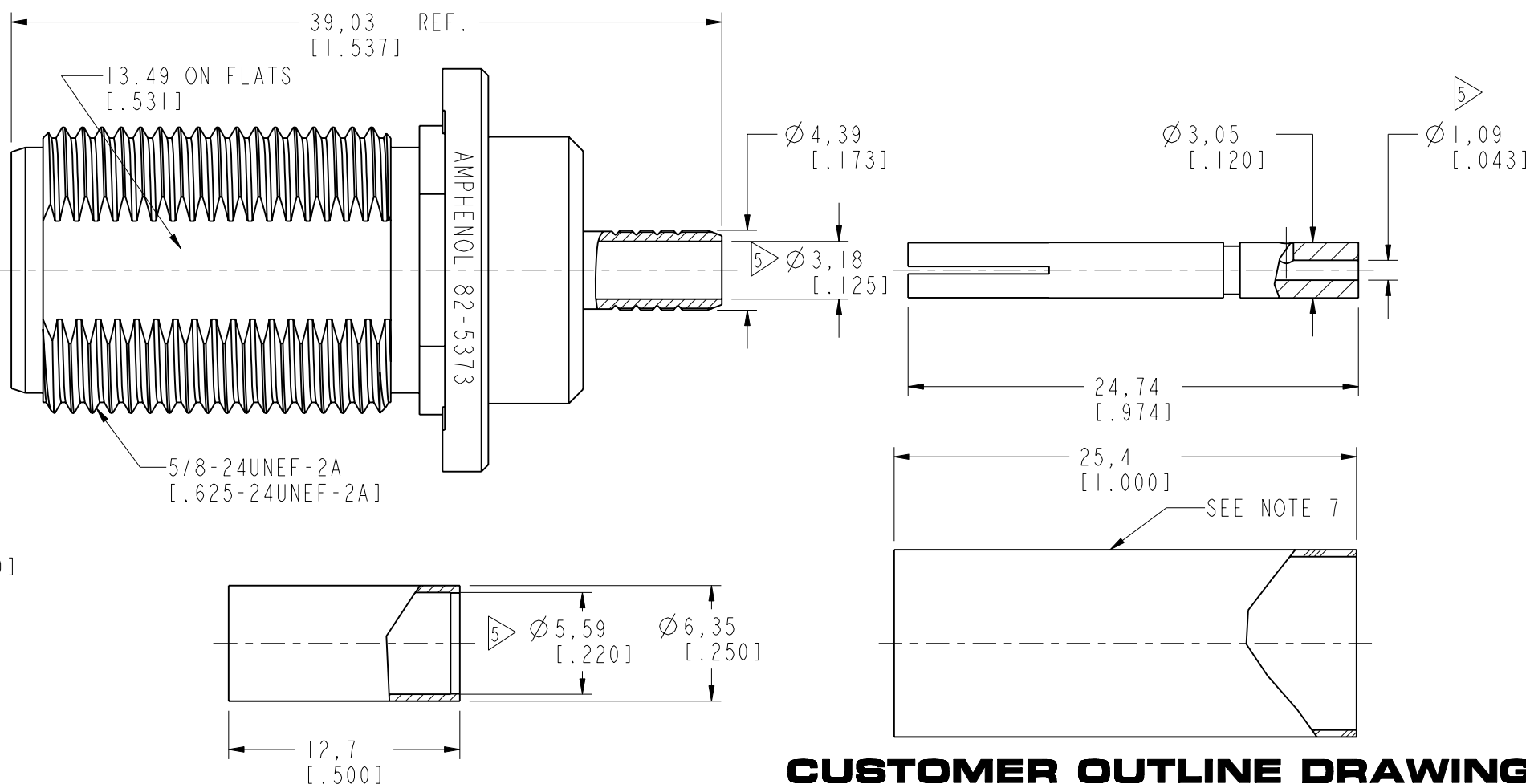
REVISIONS				
REV	DESCRIPTION	DATE	ECO	APPR
A	RELEASE TO MFG.	7/18/66	13751	SP
R	CABLE STRIP .093 WAS .135, ADD±.015 TO ALL 3	11/27/96	41666	CPM/DR
T	UPDATED TO GLOBAL FORMAT	29-Nov-13	49736	RM



RECOMMENDED CABLE STRIPPING DIM'S
SCALE 2.000



SCALE 1.500



CUSTOMER OUTLINE DRAWING

ALL OTHER SHEETS ARE FOR INTERNAL USE ONLY

UNLESS OTHERWISE SPECIFIED, DIMENSIONS ARE IN METRIC AND TOLERANCES ARE:
 <0.5mm ±0.05mm 0.5 - 6mm ±0.1mm 6 - 30mm ±0.2mm 30 - 120mm ±0.3mm ANGLES ±1°

NOTICE - These drawings, specifications, or other data (1) are, and remain the property of Amphenol corp. (2) must be returned upon request; and (3) are confidential and not to be disclosed to any person other than those to whom they are given by Amphenol Corp. the furnishing of these drawings, specifications, or other data by Amphenol Corp., or to any other person to anyone for any purpose is not to be regarded by implication or otherwise in any manner licensing, granting rights to permitting such holder or any other person to manufacture, use or sell any product, process or design, patented or otherwise, that may in any way be related to or disclosed by said drawings, specifications, or other data.

MATERIAL -	DRAWN R. MAO	DATE 29-Nov-13	TITLE QUICK CRIMP 'N' BULKHEAD JACK, USED ON RG55/U, 55A/U, 55B/U, 142U, 142B/U&223/U	Amphenol RF www.amphenolrf.com
REFERENCE AND CONFIGURATION LEVEL: □□□□	ENGINEER D. ROYCE	DATE 4/29/92	SCALE: 3.0:1.0 SHEET 2 OF 2	
FINISH	APPROVED S. HSIEH	DATE 29-Nov-13	DWG SIZE B	DRAWING NO. 82-5373
			REV T	ITEM NO. 82-5373
				PART NO. 82-5373

X-ON Electronics

Largest Supplier of Electrical and Electronic Components

Click to view similar products for [RF Connectors / Coaxial Connectors](#) category:

Click to view products by [Amphenol](#) manufacturer:

Other Similar products are found below :

[8915-1511-000](#) [89674-0827](#) [6001-7071-019](#) [6002-7051-003](#) [6002-7551-202](#) [6059674-1](#) [619550-1](#) [630059-000](#) [M39030/3-01N](#) [M3933/25-36N](#) [6500-7071-046](#) [6769](#) [CX050L2AQ](#) [7002-1542-011](#) [7004-1512-000](#) [7009-1511-004](#) [7010-1511-000](#) [7029-1511-060](#) [7101-1541-010](#) [7101-1571-002](#) [7105-1521-002](#) [7145-1521-002](#) [7203-1571-003](#) [7209-1511-011](#) [7210-1511-015](#) [7210-1511-019](#) [73137-5015](#) [73216-2241](#) [7325-1512-000](#) [73404-2300](#) [7405-1521-005](#) [7405-1521-802](#) [7406-1521-005](#) [8527](#) [8547](#) [FS11V](#) [8808-1511-001](#) [9049-9513-000](#) [9074-9513-000](#) [9101-9573-002](#) [910A205F](#) [9130-9573-002](#) [PL11SC-026](#) [PL375-33](#) [PL40-5](#) [PL71-9](#) [PL74C-221](#) [PL75MC-217](#) [PL803-7](#) [980-8666-005](#)