

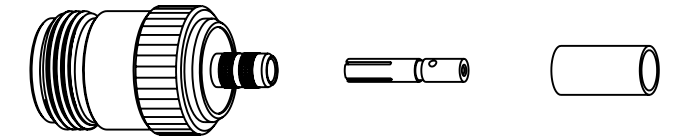
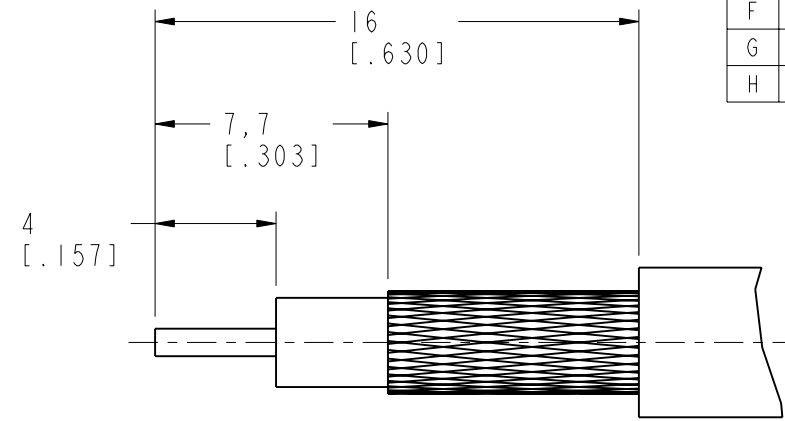
NOTES:

1. MATERIALS AND FINISHES:
 - BODY - BRASS, NICKEL PLATING
 - BARREL - BRASS, NICKEL PLATING
 - CONTACT - PHOSPHOR BRONZE, GOLD PLATING
 - FERRULE - COPPER, NICKEL PLATING
 - INSULATOR - PTFE, NATURAL
2. ELECTRICAL;
 - A. IMPEDANCE: 50 OHM
 - B. FREQUENCY RANGE: DC-11 GHz
 - C. DIELECTRIC WITHSTANDING VOLTAGE: 2500 VRMS, MIN.
3. MECHANICAL:
 - A. DURABILITY: 500 CYCLES MIN.
 - B. TEMPERATURE RANGE: -65° TO +165°
4. CRIMPED FERRULE
 - HEX. CRIMP SIZE .213"
5. CRIMPED CONTACT PIN
 - HEX. CRIMP SIZE .100"
 - OR CONTACT PIN TO SOLDER

THIRD ANGLE PROJ.

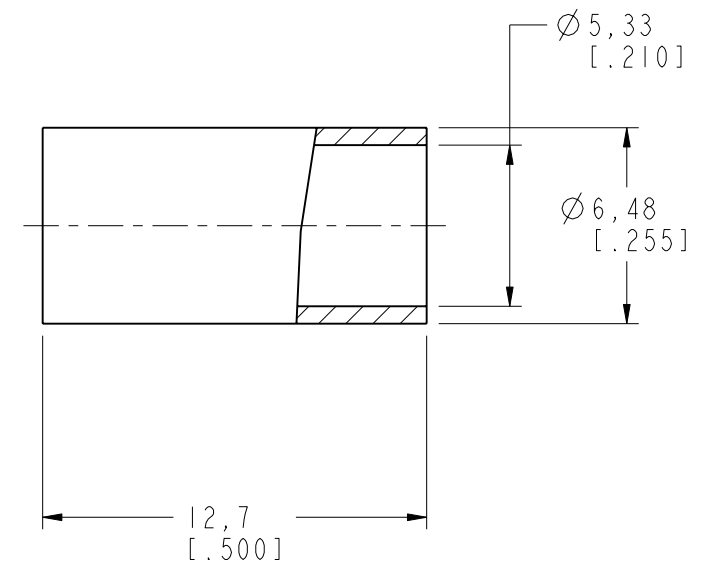
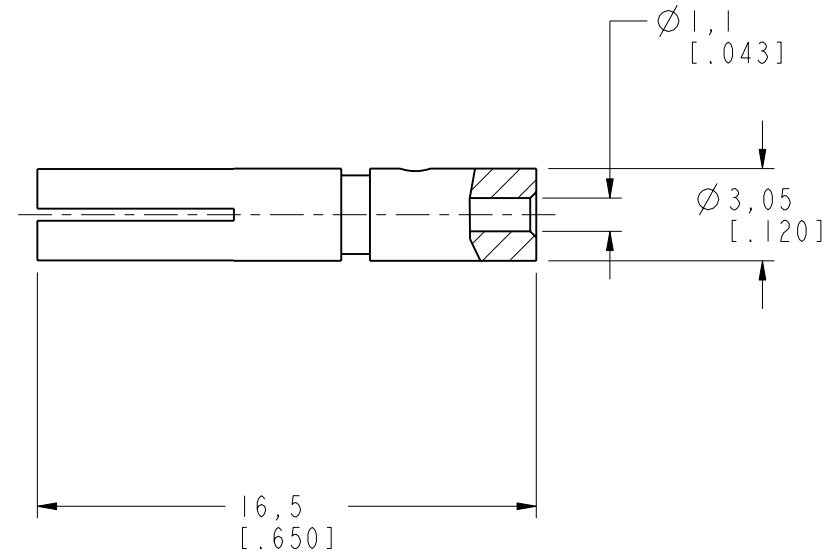
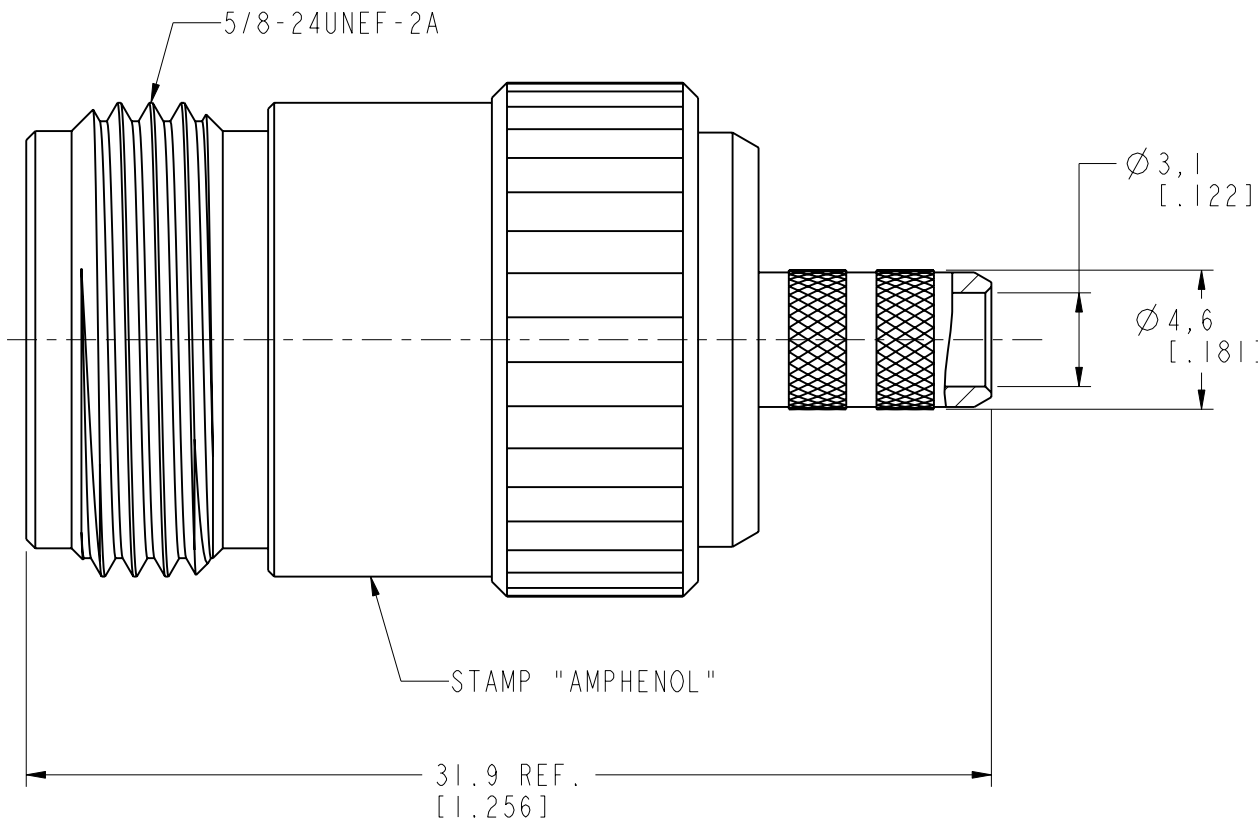
REVISIONS

REV	DESCRIPTION	DATE	ECO	APPR
A	PRELIMINARY RELEASE	18-Aug-00	43503	KERRY
E	REDRAWN IN PROE	07-Feb-12	48929	DH
F	THE CONTACT PIN WAS CHANGED \RD-DMI2071101M	18-Jul-12	49194	DH
G	THE BARREL WAS CHANGED \RD-DMI2080701M	16-Aug-12	49194	SH
H	STAMP NOTE WAS CHANGED \ RD-DMI7041001S7	14-Apr-17	03441	SC



SCALE 1.000

RECOMMENDED
CABLE STRIPPING DIM'S



CUSTOMER OUTLINE DRAWING

ALL OTHER SHEETS ARE FOR INTERNAL USE ONLY

UNLESS OTHERWISE SPECIFIED, DIMENSIONS ARE IN METRIC AND TOLERANCES ARE:
 < 0.5mm ± 0.05mm 0.5 - 6mm ± 0.1mm 6 - 30mm ± 0.2mm 30 - 120mm ± 0.3mm ANGLES ± 1°

NOTICE - These drawings, specifications, or other data (1) are, and remain the property of Amphenol corp. (2) must be returned upon request; and (3) are confidential and not to be disclosed to any person other than those to whom they are given by Amphenol Corp. the furnishing of these drawings, specifications, or other data by Amphenol Corp., or to any other person for any purpose is not to be regarded by implication or otherwise in any manner licensing, granting rights to permitting such holder or any other person to manufacture, use or sell any product, process or design, patented or otherwise, that may in any way be related to or disclosed by said drawings, specifications, or other data.

MATERIAL	DRAWN M. ZHANG	DATE 16-Aug-12	TITLE N CRIMP JACK FOR RG-58, 141 & 142 CABLES, 50 OHM	Amphenol RF Danbury CT USA, Tainan, Taiwan, Shenzhen, China www.amphenolrf.com
REFERENCE	ENGINEER S. LI	DATE 03-Feb-12		
FINISH	APPROVED S. HSIEH	DATE 17-Apr-17	SCALE: 4.0:1.0	DRAWING NO. N6121A1-NT3G-58CU-50
	CAD FILE I:\N\N6121A1-NT3G-58CU-50		SHEET 2 OF 2	ITEM NO. 036121AAA57NA5F
			DWG SIZE B	PART NO. 82-5376-RFX
			REV H	

X-ON Electronics

Largest Supplier of Electrical and Electronic Components

Click to view similar products for [RF Connectors / Coaxial Connectors](#) category:

Click to view products by [Amphenol](#) manufacturer:

Other Similar products are found below :

[8915-1511-000](#) [89674-0827](#) [6001-7071-019](#) [6002-7051-003](#) [6002-7551-202](#) [6059674-1](#) [619550-1](#) [630059-000](#) [M39030/3-01N](#) [M3933/25-36N](#) [6500-7071-046](#) [6769](#) [CX050L2AQ](#) [7002-1542-011](#) [7004-1512-000](#) [7009-1511-004](#) [7010-1511-000](#) [7029-1511-060](#) [7101-1541-010](#) [7101-1571-002](#) [7105-1521-002](#) [7145-1521-002](#) [7203-1571-003](#) [7209-1511-011](#) [7210-1511-015](#) [7210-1511-019](#) [73137-5015](#) [73216-2241](#) [7325-1512-000](#) [73404-2300](#) [7405-1521-005](#) [7405-1521-802](#) [7406-1521-005](#) [8527](#) [8547](#) [FS11V](#) [8808-1511-001](#) [9049-9513-000](#) [9074-9513-000](#) [9101-9573-002](#) [910A205F](#) [9130-9573-002](#) [PL11SC-026](#) [PL375-33](#) [PL40-5](#) [PL71-9](#) [PL74C-221](#) [PL75MC-217](#) [PL803-7](#) [980-8666-005](#)