

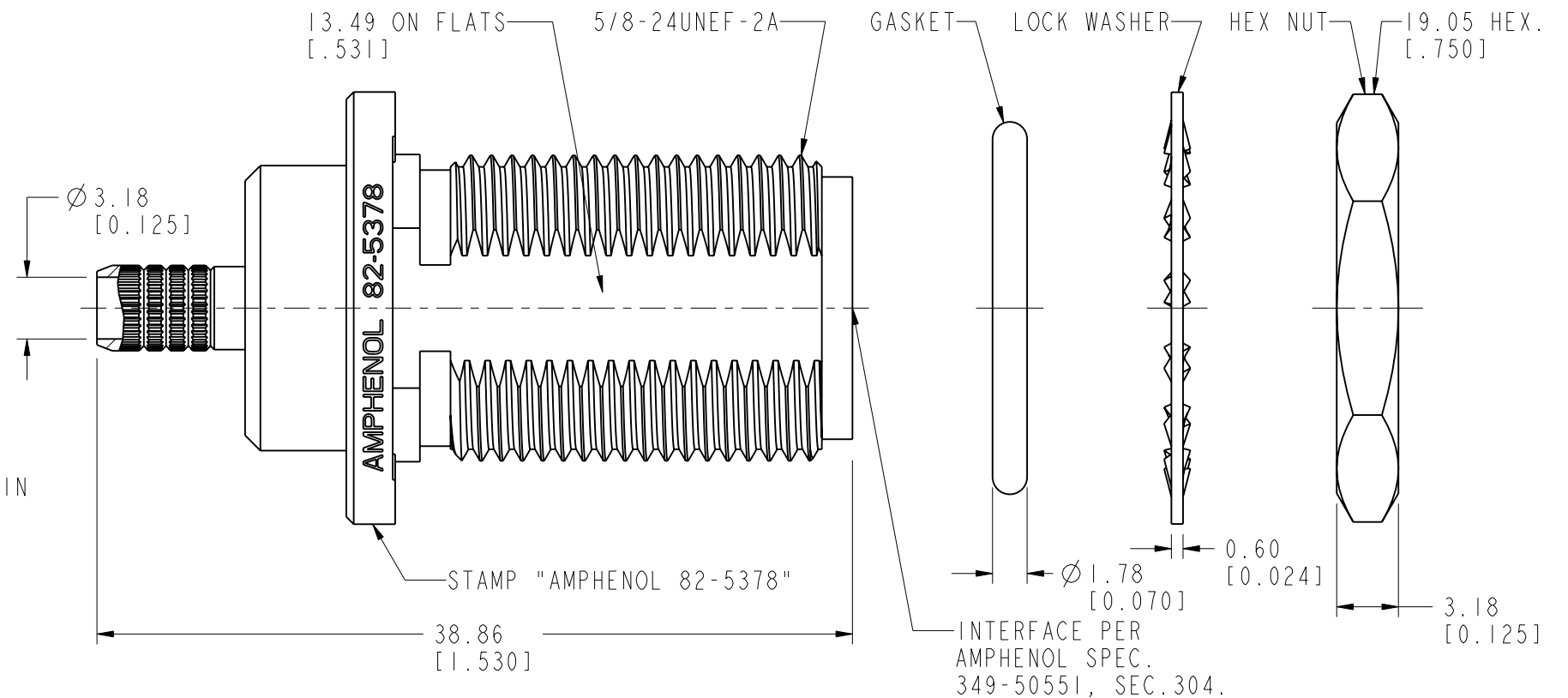
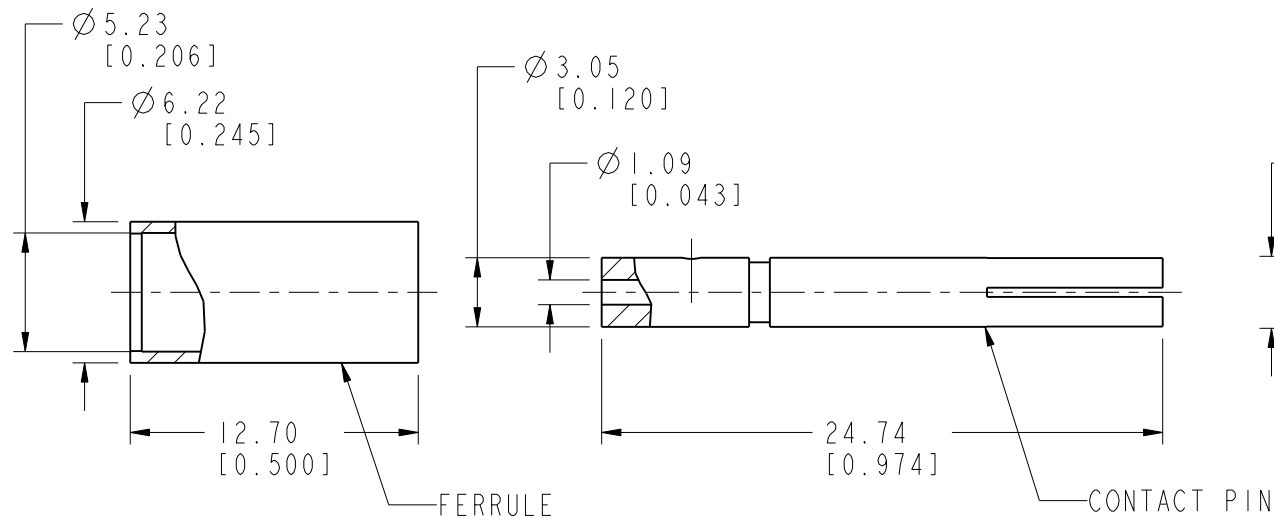
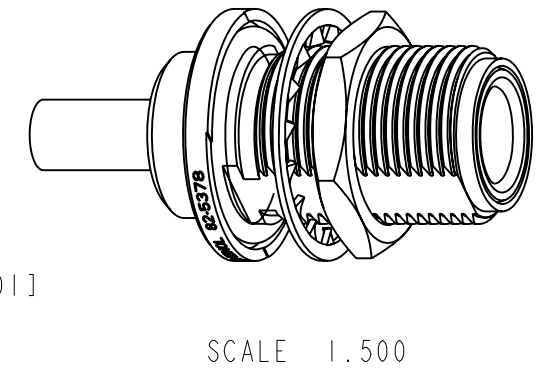
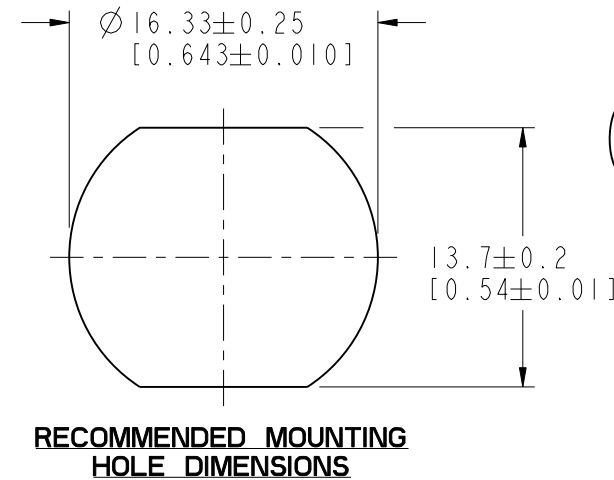
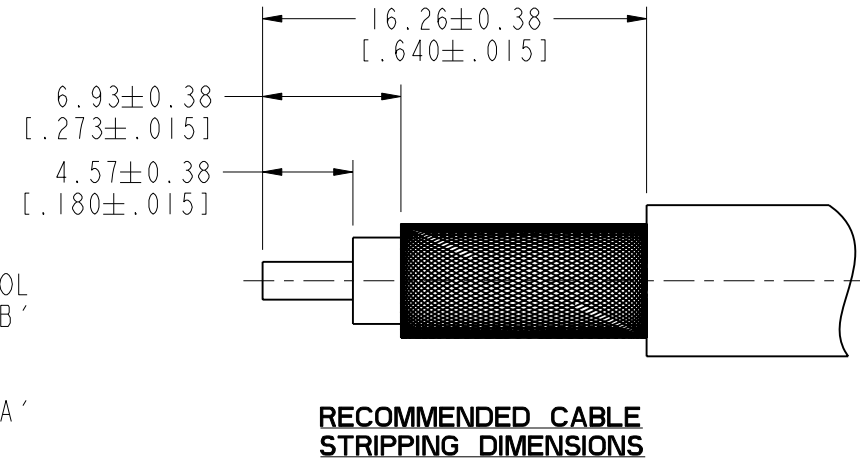
NOTES:

- MATERIALS AND FINISHES:
 BODY, BUSHING - BRASS, NICKEL PLATING
 CONTACT - PHOSPHOR BRONZE, GOLD PLATING
 INSULATOR - PTFE, NATURAL
- ELECTRICAL:
 A. DIELECTRIC WITHSTANDING VOLTAGE: 1500 VRMS, MIN.
- MECHANICAL:
 A. DURABILITY: 500 CYCLES MIN.
 B. TEMPERATURE RANGE: -65° C TO +165° C
- SOLDER CONTACT TO CABLE,
 WHEN CRIMPING CONTACT TO CABLE, CRIMP WITH AMPHENOL TOOL
 227-944(M22520/5-01) AND DIE SET 227-1221-57, CAVITY 'B'
 (M22520/5-57, CLOSURE 'B')
- CRIMP FERRULE OVER BRAID AND BODY WITH AMPHENOL TOOL
 277-944(M22520/5-01) AND DIE SET 227-1221-57, CAVITY 'A'
 (M22520/5-57, CLOSURE 'A')
- THIS CONNECTOR CAN BE USED ON CABLE:
 RG58/U, 58A/U, 58B/U, 58C/U, 141/U&141A/U CABLES.
- MAX. PANEL THICKNESS = 6.35 MM [.250 INCH]

THIRD ANGLE PROJ.

REVISIONS

REV	DESCRIPTION	DATE	ECO	APPR
A	RELEASE TO MFG.	4/4/66	13253	
N	REDRAWN TO UPDATE FORMAT	16-Mar-10	47687	SH
P	SYNC THE DRAWING TO MATCH MRP SYSTEM AND ROUTING	29-Jul-11	48696	SH
R	SYNC THE DRAWING WITH DANBURY, PLATING FOR CONTACT PIN WAS CHANGED	09-May-12	49054	SH



THIS CONNECTOR IS COVERED BY U.S. PATENT 3,439,294 & 3,474,391

CUSTOMER OUTLINE DRAWING
 ALL OTHER SHEETS ARE FOR INTERNAL USE ONLY

UNLESS OTHERWISE SPECIFIED, DIMENSIONS ARE IN METRIC AND TOLERANCES ARE: <0.5mm ±0.05mm 0.5 - 6mm ±0.1mm 6 - 30mm ±0.2mm 30 - 120mm ±0.3mm ANGLES ±1°	MATERIAL	DRAWN T. DENG	DATE 09-May-12	TITLE QUICK CRIMP 'N' BULKHEAD JACK FOR RG58/U, 58A/U, 58B/U, 58C/U, 141/U & 141A/U CABLES	Amphenol RF Danbury CT USA, Tainan, Taiwan, Shenzhen, China www.amphenolrf.com
	REFERENCE EPA 802145-51	ENGINEER D. ROYCE	DATE 8/1/91		
NOTICE - These drawings, specifications, or other data (1) are, and remain the property of Amphenol corp. (2) must be returned upon request; and (3) are confidential and not to be disclosed to any person other than those to whom they are given by Amphenol Corp. the finishing of these drawings, specifications, or other data by Amphenol Corp., or to any other person to anyone for any purpose is not to be regarded by implication or otherwise in any manner licensing, granting rights to permitting such holder or any other person to manufacture, use or sell any product, process or design, patented or otherwise, that may in any way be related to or disclosed by said drawings, specifications, or other data.	APPROVED S. HSIEH	DATE 09-May-12	SCALE: 3.0:1.0	SHEET 2 OF 2 DWG SIZE B REV R	ITEM NO. 82-5378
	FINISH	I: /N/82-5378			

X-ON Electronics

Largest Supplier of Electrical and Electronic Components

Click to view similar products for [RF Connectors / Coaxial Connectors](#) category:

Click to view products by [Amphenol](#) manufacturer:

Other Similar products are found below :

[8915-1511-000](#) [89674-0827](#) [6001-7071-019](#) [6002-7051-003](#) [6002-7551-202](#) [6059674-1](#) [619550-1](#) [630059-000](#) [M39030/3-01N](#) [M3933/25-36N](#) [6500-7071-046](#) [6769](#) [CX050L2AQ](#) [7002-1542-011](#) [7004-1512-000](#) [7009-1511-004](#) [7010-1511-000](#) [7029-1511-060](#) [7101-1541-010](#) [7101-1571-002](#) [7105-1521-002](#) [7145-1521-002](#) [7203-1571-003](#) [7209-1511-011](#) [7210-1511-015](#) [7210-1511-019](#) [73137-5015](#) [73216-2241](#) [7325-1512-000](#) [73404-2300](#) [7405-1521-005](#) [7405-1521-802](#) [7406-1521-005](#) [8527](#) [8547](#) [FS11V](#) [8808-1511-001](#) [9049-9513-000](#) [9074-9513-000](#) [9101-9573-002](#) [910A205F](#) [9130-9573-002](#) [PL11SC-026](#) [PL375-33](#) [PL40-5](#) [PL71-9](#) [PL74C-221](#) [PL75MC-217](#) [PL803-7](#) [980-8666-005](#)