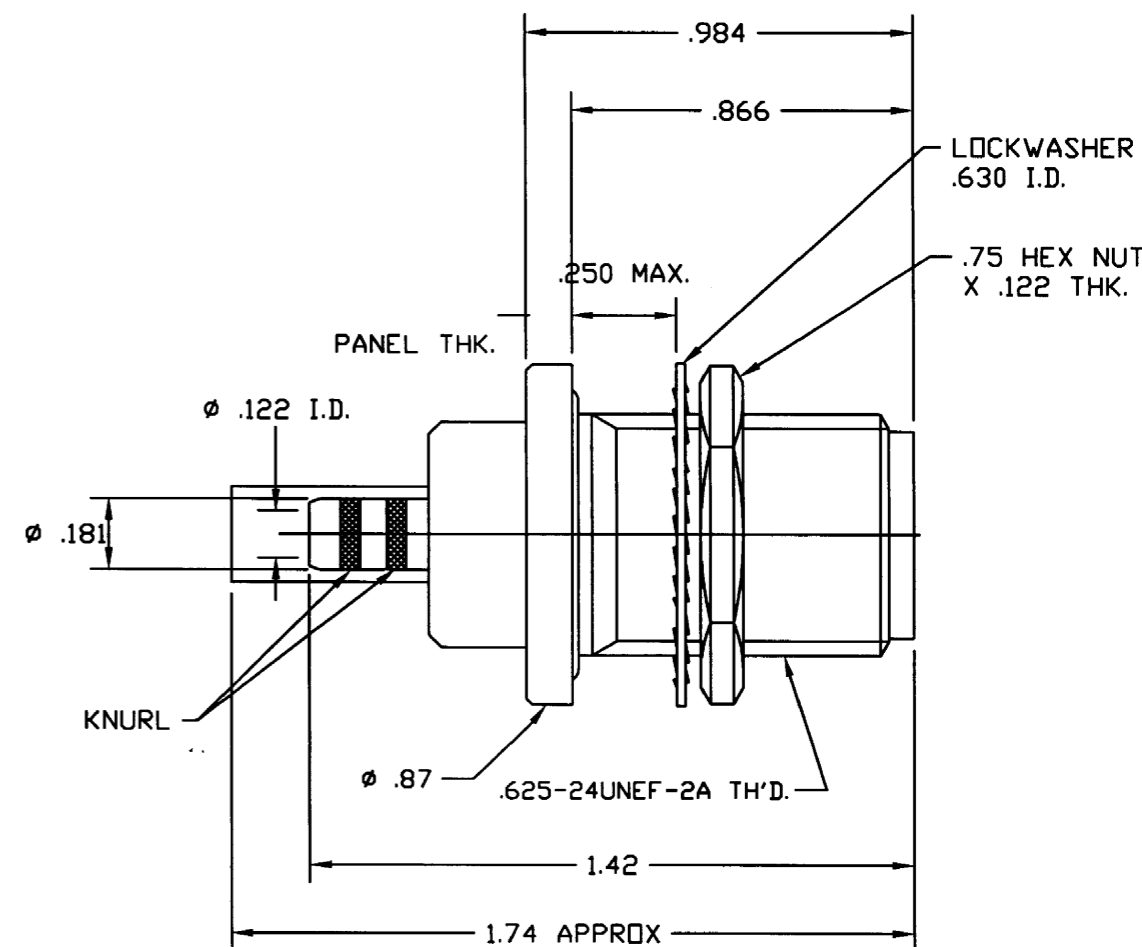
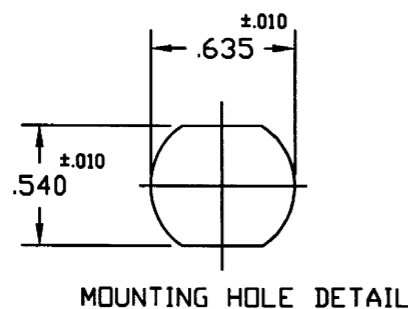
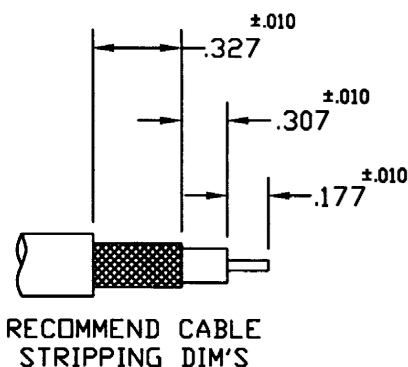
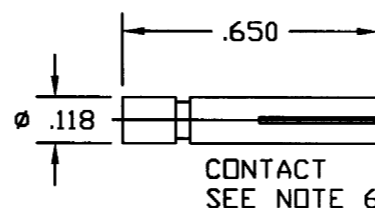
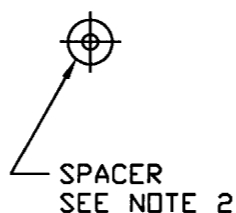
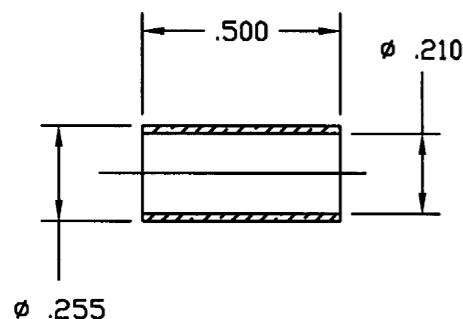


NOTES:

- BODY, LOCKWASHER & HEX NUT - BRASS, NICKEL PLATED (.000100 MIN).
INSULATOR - TEFLON.
CONTACT - PHOSPHOR BRONZE, GOLD PLATED (.000003 MIN).
FERRULE - COPPER ALLOY, NICKEL PLATED (.000100 MIN).
GASKET - SILICONE RUBBER.
- SPACER P/N 82-10828 IS SUPPLIED SEPARATELY.
THIS ITEM IS USED DURING TERMINATION PROCESS TO BELDEN YR20621.
- CONNECTOR IS BULKPACKED 50 PCS PER BAG.
- USE AMPHENOL CRIMP TOOL CTL-3.
- AGCS PART NUMBER ME996100 21.
- CAPTIVATED CONTACT, .043 ENTRY.
- DO NOT SCALE THIS DRAWING.
- UNLESS OTHERWISE SPECIFIED, ALL DIMENSIONS ARE AFTER PLATING.

82-5378-RFX		REVISIONS			
DRAWING NO.	REV	DESCRIPTION	DATE	ECO	APPR
THIRD ANGLE PROJ.	A	OFFICIAL ENG. RELEASE TO MFG.	4/30/96	41293	CPM/
	B	SEE SHEET 1	11/14/01	43895	CPM/
	C	SEE SHEET 1	12-13-01	43913	CPM/



CUSTOMER OUTLINE DRAWING
ALL OTHER SHEETS ARE FOR INTERNAL USE ONLY

<p>UNLESS OTHERWISE SPECIFIED, DIMENSIONS ARE IN INCHES AND TOLERANCES ARE: 2 PLACE DECIMAL ±.015 (0,381 mm) 3 PLACE DECIMAL ±.005 (0,127 mm) ANGLES ± 1'</p> <p>NOTICE - These drawings, specifications, or other data (1) are, and remain the property of Amphenol Corp. (2) must be returned upon request; and (3) are confidential and not to be disclosed to any person other than those to whom they are given by Amphenol Corp. The furnishing of these drawings, specifications, or other data by Amphenol Corp., or to any other person to anyone for any purpose is not to be regarded by implication or otherwise in any manner licensing, granting rights or permitting such holder or any other person to manufacture, use or sell any product, process or design, patented or otherwise, that may in any way be related to or disclosed by said drawings, specifications, or other data.</p>	MATERIAL	DRAWN C. McGRATH	DATE 5/31/94	TITLE CRIMP 'N' BULKHEAD JACK FOR RG58/U, 58A/, 58B/U, 58C/U, 141/U, 141A/U & BELDEN YR20621 CABLES	<p>Amphenol Amphenol Corporation RF/Microwave Operations Danbury, Conn. U.S.A. 06810</p>	
	REFERENCE EAR 964467-0	ENGINEER D. ROYCE	DATE 4/29/96	APPROVED D. ROYCE		SCALE: 2:1 SHEET 2 OF 2
			APPROVED D. ROYCE	DATE 4/29/96	CAD FILE H:\DEPT611\N\082\ASSY\5378\RFXSHT2	CODE ID 74868
					DWG SIZE B	DRAWING NO. 82-5378-RFX
					REV C	

X-ON Electronics

Largest Supplier of Electrical and Electronic Components

Click to view similar products for [RF Connectors / Coaxial Connectors](#) category:

Click to view products by [Amphenol](#) manufacturer:

Other Similar products are found below :

[8915-1511-000](#) [89674-0827](#) [6001-7071-019](#) [6002-7051-003](#) [6002-7551-202](#) [6059674-1](#) [619550-1](#) [630059-000](#) [M39030/3-01N](#) [M3933/25-36N](#) [6500-7071-046](#) [6769](#) [CX050L2AQ](#) [7002-1542-011](#) [7004-1512-000](#) [7009-1511-004](#) [7010-1511-000](#) [7029-1511-060](#) [7101-1541-010](#) [7101-1571-002](#) [7105-1521-002](#) [7145-1521-002](#) [7203-1571-003](#) [7209-1511-011](#) [7210-1511-015](#) [7210-1511-019](#) [73137-5015](#) [73216-2241](#) [7325-1512-000](#) [73404-2300](#) [7405-1521-005](#) [7405-1521-802](#) [7406-1521-005](#) [8527](#) [8547](#) [FS11V](#) [8808-1511-001](#) [9049-9513-000](#) [9074-9513-000](#) [9101-9573-002](#) [910A205F](#) [9130-9573-002](#) [PL11SC-026](#) [PL375-33](#) [PL40-5](#) [PL71-9](#) [PL74C-221](#) [PL75MC-217](#) [PL803-7](#) [980-8666-005](#)