

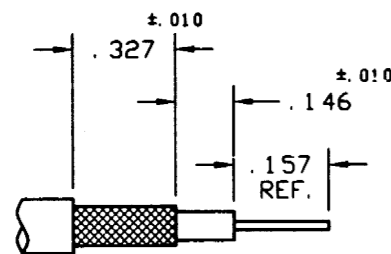
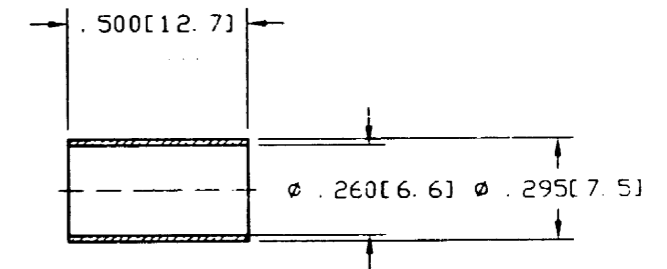
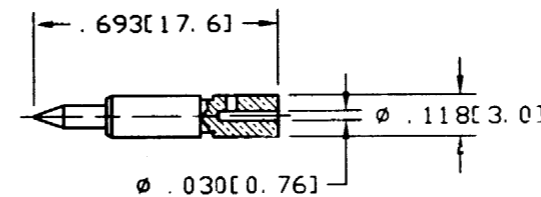
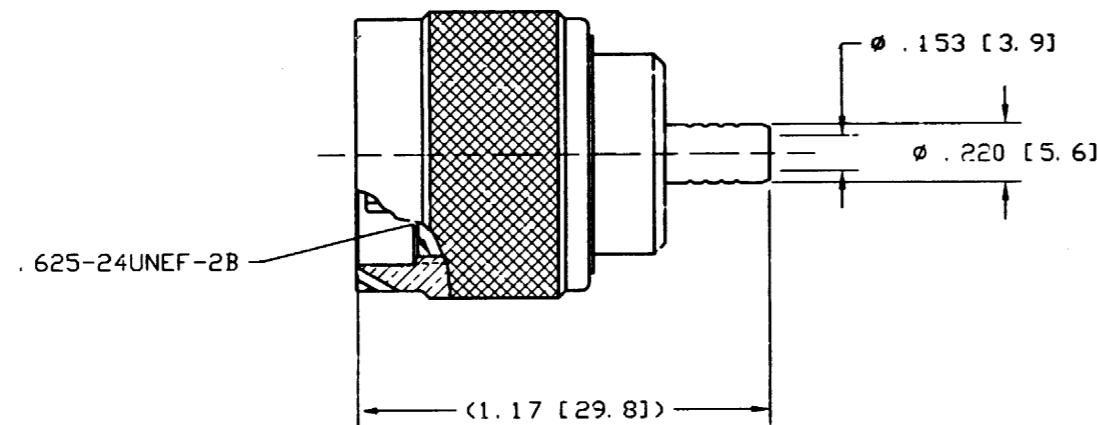
NOTES:

1. MATERIALS OF CONSTRUCTION:
SHELL, BODY, BARRELL, CONTACT BODY, FERRULE = BRASS, NICKEL PLATED.
CONTACT PIN = BRASS, GOLD PLATED.
GASKET = SILICONE RUBBER, COLOR RED.
INSULATOR = TEFLON PER MIL-P-19468, COLOR NATURAL.
RETAINER RING =
2. DO NOT SCALE THIS DRAWING.
3. CRIMP WITH AMPHENOL TOOL FRAME 227-944 (M22520/5-01) USING AMPHENOL DIE SET 227-1221-59 (M22520/5-59).
4. UNLESS OTHERWISE SPECIFIED, ALL DIMENSIONS ARE AFTER PLATING.

82-5380-RFX

REVISIONS

DRAWING NO	REV	DESCRIPTION	DATE	ECO	APPR
THIRD ANGLE PROJ.	G	RELEASE TO MFG.	3/23/99	43210	CPM/



RECOMMENDED CABLE STRIPPING DIMENSIONS

CUSTOMER OUTLINE DRAWING

<p>UNLESS OTHERWISE SPECIFIED, DIMENSIONS ARE IN INCHES AND TOLERANCES ARE: 2 PLACE DECIMAL 3 PLACE DECIMAL ANGLES ±.015 (0,381 mm) ±.005 (0,127 mm) ± 1'</p> <p>NOTICE - These drawings, specifications, or other data (1) are, and remain the property of Amphenol Corp. (2) must be returned upon request; and (3) are confidential and not to be disclosed to any person other than those to whom they are given by Amphenol Corp. The furnishing of these drawings, specifications, or other data by Amphenol Corp., or to any other person to anyone for any purpose is not to be regarded by implication or otherwise in any manner licensing, granting rights or permitting such holder or any other person to manufacture, use or sell any product, process or design, patented or otherwise, that may in any way be related to or disclosed by said drawings, specifications, or other data.</p>	MATERIAL	DRAWN	DATE	TITLE	<p>Amphenol Amphenol Corporation RF/Microwave Operations Danbury, Conn. U.S.A. 06810</p>
	REFERENCE EAR 967205-0	C. McGRATH	3/12/99	QUICK CRIMP 'N' PLUG	
		ENGINEER	DATE		SCALE: 2:1 SHEET 2 OF 2
		T. AUBIN	3/12/99		
		APPROVED	DATE		
			3/12/99		
		CAD FILE	CODE ID	DWG SIZE	DRAWING NO.
		H:\DEPT611\N\082\ASSY\5380\RFXSHT2.DWG	74868	B	82-5380-RFX
					ISSUE
					A

X-ON Electronics

Largest Supplier of Electrical and Electronic Components

Click to view similar products for [RF Connectors / Coaxial Connectors](#) category:

Click to view products by [Amphenol](#) manufacturer:

Other Similar products are found below :

[8915-1511-000](#) [89674-0827](#) [6001-7071-019](#) [6002-7051-003](#) [6002-7551-202](#) [6059674-1](#) [619550-1](#) [630059-000](#) [M39030/3-01N](#) [6500-7071-046](#) [6769](#) [CX050L2AQ](#) [7002-1542-011](#) [7004-1512-000](#) [7009-1511-004](#) [7010-1511-000](#) [7029-1511-060](#) [7101-1541-010](#) [7101-1571-002](#) [7105-1521-002](#) [7145-1521-002](#) [7203-1571-003](#) [7209-1511-011](#) [7210-1511-015](#) [7210-1511-019](#) [73137-5015](#) [73216-2241](#) [73404-2300](#) [7405-1521-005](#) [7405-1521-802](#) [7406-1521-005](#) [8527](#) [8547](#) [FS11V](#) [8808-1511-001](#) [9049-9513-000](#) [9074-9513-000](#) [9101-9573-002](#) [910A205F](#) [9130-9573-002](#) [PL11SC-026](#) [PL375-33](#) [PL40-5](#) [PL71-9](#) [PL74C-221](#) [PL75MC-217](#) [PL803-7](#) [980-8666-005](#) [1200690078](#) [1-201144-1](#)