

NOTES:

1. MATERIALS AND FINISHES:

- BODY - BRASS, NICKEL PLATING
- SOLDER NUT - BRASS, GOLD PLATING
- CONTACT - PHOSPHOR BRONZE, GOLD PLATING
- INSULATOR - PTFE, NATURAL

2. ELECTRICAL:

- A. IMPEDANCE: 50 OHM
- B. FREQUENCY RANGE: 0-6 GHz
- C. VSWR (RETURN LOSS): 1.3 MAX.
- D. DIELECTRIC WITHSTANDING VOLTAGE: 2500 VRMS, MIN.

3. MECHANICAL:

- A. DURABILITY: 500 CYCLES MIN.
- B. TEMPERATURE RANGE: -65° C TO +165° C

4. CRIMPED CONTACT PIN HEX. CRIMP SIZE .100" OR SOLDER

5. SHOWS CABLE ENTRY DIMENSIONS.

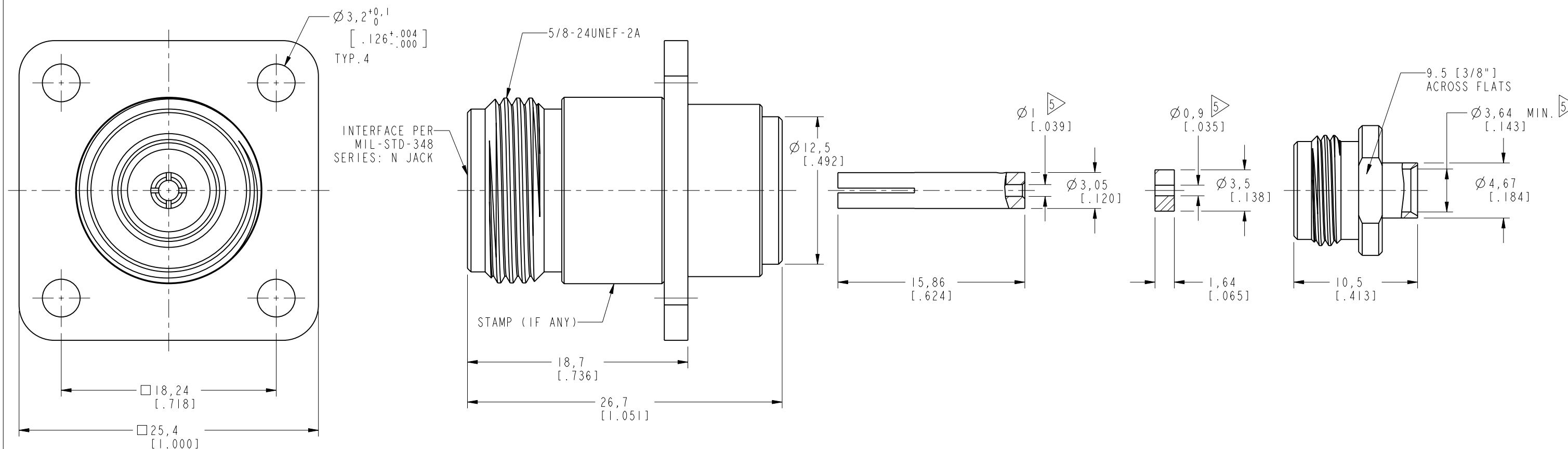
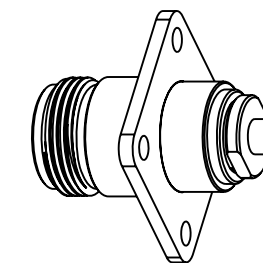
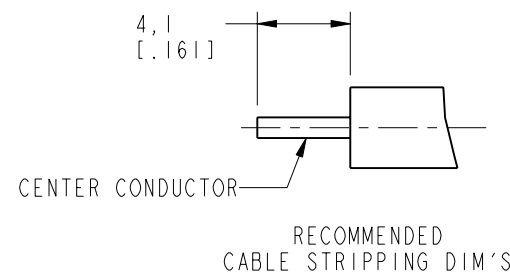
6. PACKAGING:

- A. QUANTITY: SINGLE PACK.
- B. MARKING: BAG TO BE MARKED "AMPHENOL RF, 82-6099-RFX, DATE CODE"

THIRD ANGLE PROJ.

REVISIONS

REV	DESCRIPTION	DATE	ECO	APPR
A	RELEASE TO MFG.	28-Nov-00	43603	CPM
D	SYNC, UPDATE DRAWING FORMAT	18-Oct-17	05501	SH



CUSTOMER OUTLINE DRAWING
ALL OTHER SHEETS ARE FOR INTERNAL USE ONLY

UNLESS OTHERWISE SPECIFIED, DIMENSIONS ARE IN METRIC AND TOLERANCES ARE:
 < 0.5mm ± 0.05mm 0.5 - 6mm ± 0.1mm 6 - 30mm ± 0.2mm 30 - 120mm ± 0.3mm ANGLES ± 1°

NOTICE - These drawings, specifications, or other data (1) are, and remain the property of Amphenol corp. (2) must be returned upon request; and (3) are confidential and not to be disclosed to any person other than those to whom they are given by Amphenol Corp. the furnishing of these drawings, specifications, or other data by Amphenol Corp., or to any other person to anyone for any purpose is not to be regarded by implication or otherwise in any manner licensing, granting rights to permitting such holder or any other person to manufacture, use or sell any product, process or design, patented or otherwise, that may in any way be related to or disclosed by said drawings, specifications, or other data.

MATERIAL	
REFERENCE	GEN# 82-6163_ASSY
CONFIGURATION LEVEL:	In Work
FINISH	

DRAWN	M. ZHANG	DATE	18-Oct-17
ENGINEER	O. BARTHELMES	DATE	14-Nov-00
APPROVED	S. HSIEH	DATE	18-Oct-17
CAD FILE			

TITLE	
N PANEL DIRECT SOLDER JACK (FOR .141" SEMI RIGID CABLE)	
SCALE: 3.0:1.0	SHEET 2 OF 2
DWG SIZE	REV
B	D

Amphenol RF	
www.amphenolrf.com	
DRAWING NO. N6581A1-NT3G-.141-50	
ITEM NO. 036581AAA42NA5F	
PART NO. 82-6099-RFX	

X-ON Electronics

Largest Supplier of Electrical and Electronic Components

Click to view similar products for [RF Connectors / Coaxial Connectors](#) category:

Click to view products by [Amphenol](#) manufacturer:

Other Similar products are found below :

[8915-1511-000](#) [89674-0827](#) [6001-7071-019](#) [6002-7051-003](#) [6002-7551-202](#) [6059674-1](#) [619550-1](#) [630059-000](#) [M39030/3-01N](#) [M3933/25-36N](#) [6500-7071-046](#) [6769](#) [CX050L2AQ](#) [7002-1542-011](#) [7004-1512-000](#) [7009-1511-004](#) [7010-1511-000](#) [7029-1511-060](#) [7101-1541-010](#) [7101-1571-002](#) [7105-1521-002](#) [7145-1521-002](#) [7203-1571-003](#) [7209-1511-011](#) [7210-1511-015](#) [7210-1511-019](#) [73137-5015](#) [73216-2241](#) [7325-1512-000](#) [73404-2300](#) [7405-1521-005](#) [7405-1521-802](#) [7406-1521-005](#) [8527](#) [8547](#) [FS11V](#) [8808-1511-001](#) [9049-9513-000](#) [9074-9513-000](#) [9101-9573-002](#) [910A205F](#) [9130-9573-002](#) [PL11SC-026](#) [PL375-33](#) [PL40-5](#) [PL71-9](#) [PL74C-221](#) [PL75MC-217](#) [PL803-7](#) [980-8666-005](#)