

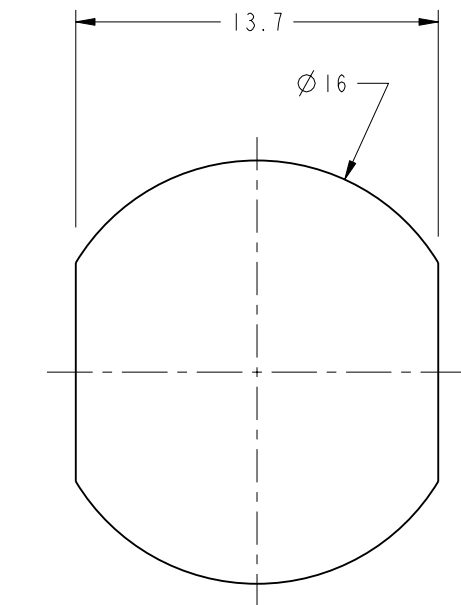
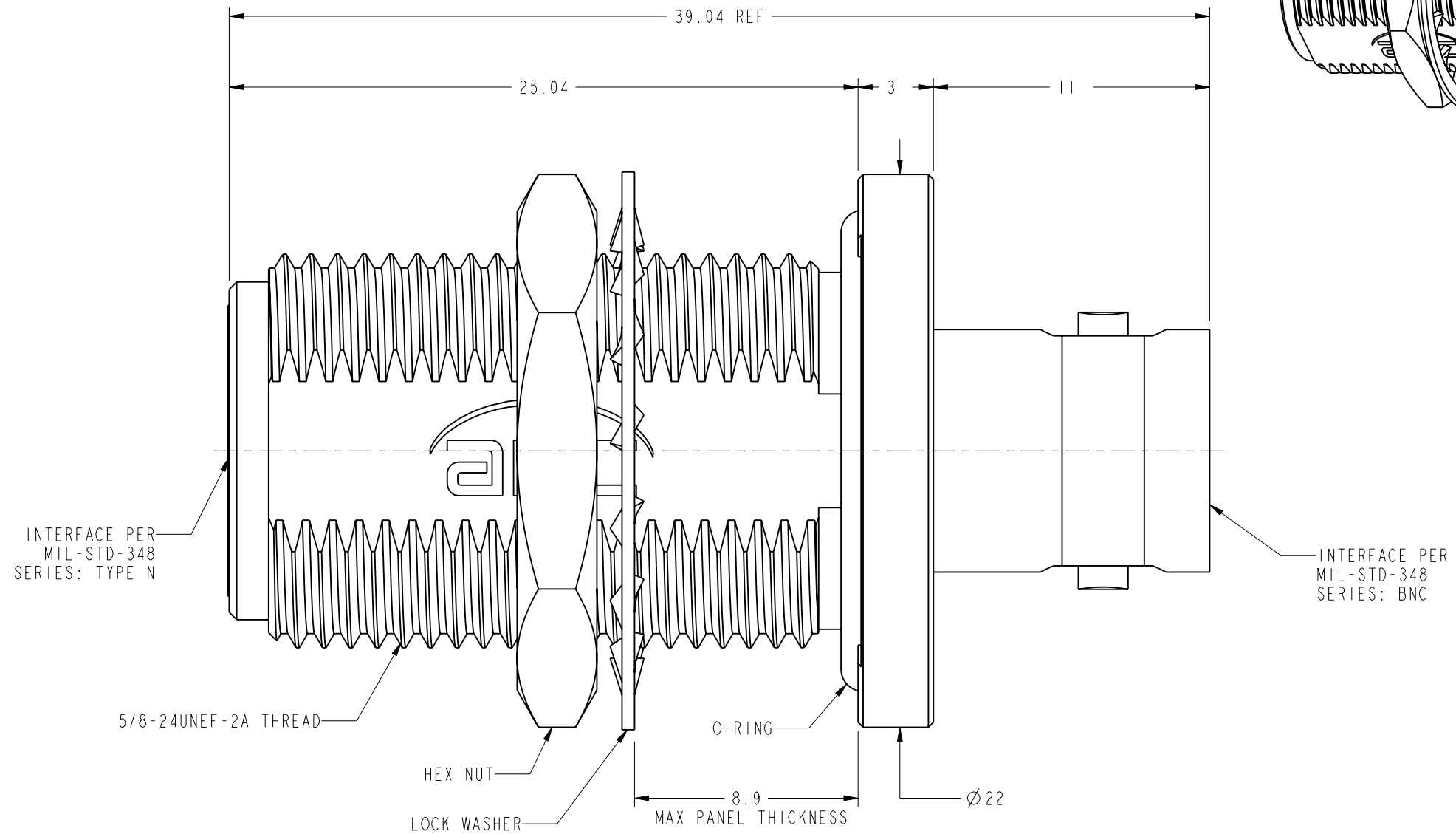
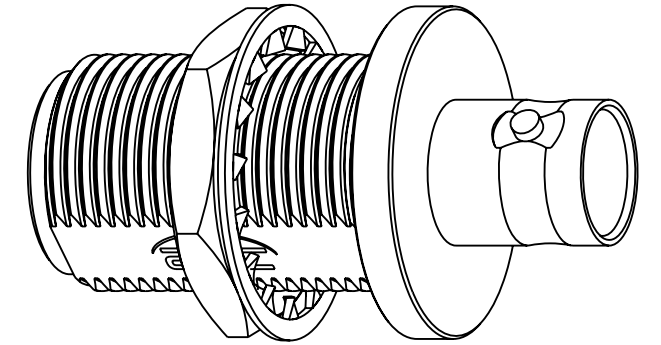
NOTES:

1. MATERIALS AND FINISHES:  
 BODY - BRASS, NICKEL PLATING  
 CONTACT - BeCu, GOLD PLATING  
 INSULATOR - PTFE  
 O-RING - SILICONE RUBBER  
 HEX NUT - BRASS, NICKEL PLATED  
 LOCKWASHER - PHOSPHOR BRONZE, NICKEL PLATED
2. ELECTRICAL:  
 A. IMPEDANCE: 50 OHM  
 B. FREQUENCY RANGE: DC - 4 GHz  
 C. VSWR: 1.3 FROM DC TO 4 GHz
3. MECHANICAL:  
 A. IP-67 COMPLIANT IN UNMATED CONDITION.
4. PACKAGING:  
 A. QUANTITY: SINGLE PACK  
 B. MARKING: BAG TO BE MARKED  
 "AMPHENOL RF, 82-6532, AND DATE CODE"

THIRD ANGLE PROJ.

REVISIONS

| REV | DESCRIPTION                          | DATE      | ECO   | APPR |
|-----|--------------------------------------|-----------|-------|------|
| A   | RELEASE TO MFG.                      | 03-Jan-12 | 49148 | TD   |
| B   | ADD ARC LOGO TO BODY\RD-DM13082201J8 | 30-Aug-13 | 49619 | RLB  |



**RECOMMENDED PANEL CUTOUT DIMENSIONS**

**CUSTOMER OUTLINE DRAWING**

ALL OTHER SHEETS ARE FOR INTERNAL USE ONLY

|   |                       |                     |                   |  |                                   |                    |
|---|-----------------------|---------------------|-------------------|--|-----------------------------------|--------------------|
| <p>UNLESS OTHERWISE SPECIFIED, DIMENSIONS ARE IN METRIC AND TOLERANCES ARE:<br/>         &lt;0.5mm ±0.05mm    0.5 - 6mm ±0.1mm    6 - 30mm ±0.2mm    30 - 120mm ±0.3mm    ANGLES ±1°</p> <p>NOTICE - These drawings, specifications, or other data (1) are, and remain the property of Amphenol corp. (2) must be returned upon request; and (3) are confidential and not to be disclosed to any person other than those to whom they are given by Amphenol Corp. the furnishing of these drawings, specifications, or other data by Amphenol Corp., or to any other person to anyone for any purpose is not to be regarded by implication or otherwise in any manner licensing, granting rights to permitting such holder or any other person to manufacture, use or sell any product, process or design, patented or otherwise, that may in any way be related to or disclosed by said drawings, specifications, or other data.</p> | MATERIAL<br>SEE NOTES | DRAWN<br>J.CHEN     | DATE<br>03-Sep-12 | TITLE<br>N BHD JACK TO BNC JACK<br>50 OHM ADAPTER, IP-67 | Amphenol RF<br>www.amphenolrf.com |                    |
|   | REFERENCE             | ENGINEER<br>D.DAVE  | DATE<br>17-Jan-12 |  |                                   | DRAWING NO.82-6532 |
|   | CONFIGURATION LEVEL:  | APPROVED<br>S.HSIEH | DATE<br>05-Sep-13 | SCALE: 4.5:1.0   | SHEET 2 OF 2                      | ITEM NO.82-6532    |
|   | FINISH                | CAD FILE            | DWG SIZE<br>B     | REV<br>B   | PART NO.82-6532                   |                    |

## X-ON Electronics

Largest Supplier of Electrical and Electronic Components

*Click to view similar products for [RF Adapters - Between Series category:](#)*

*Click to view products by [Amphenol manufacturer:](#)*

Other Similar products are found below :

[5945-9503-000](#) [MCX/F-SMA/M](#) [R192417010](#) [ADBJ20-E1-BJ379](#) [ADM2](#) [ADPL75-A1-PL75](#) [242191](#) [9317505](#) [AD130](#) [ADBJ20-E1-PL74](#)  
[ADBJ77-E1-UPL20](#) [ADRMF370](#) [242190](#) [242215](#) [242228](#) [R125680000W](#) [R192430000](#) [UAD95](#) [1057367-1](#) [8311505](#) [R114704000](#)  
[R451034500](#) [R451030500](#) [R451543000](#) [HDVDPN](#) [ADBJ20-K1-PL20](#) [R451570000](#) [R192419000](#) [R451034000](#) [J9](#) [J3WE-5](#) [R451032500](#)  
[242201RP](#) [17K132-K00S5](#) [03K719-S22S3](#) [AD-RSMAF-RTNC](#) [53K156-K00N5](#) [53K160-KIMN1](#) [29S132-K01N5](#) [53S156-K00N5](#) [02S119-](#)  
[S00E3](#) [28K132-K00N5](#) [02S109-K00S3](#) [27-8200TP](#) [242235](#) [ADBJ20-E1-BJ89](#) [ADP-SMAF-MMCXM](#) [000-2900](#) [321-102-003 \(SMA-50/2-](#)  
[H155/W1.03 AU\)](#) [1057377-1](#)