

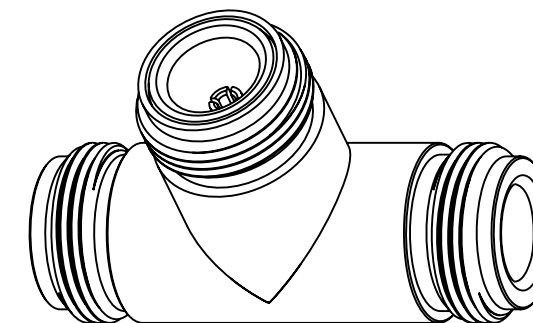
NOTES:

1. MATERIALS AND FINISHES:  
 BODY - SUB ASSEMBLY - BRASS, SILVER PLATING  
 CONTACTS - BERYLLIUM COPPER, SILVER PLATING  
 INSULATORS - PTFE
2. ELECTRICAL:  
 A. IMPEDANCE: 50 OHM  
 B. FREQUENCY RANGE: DC - 11 GHz  
 C. DIELECTRIC WITHSTANDING VOLTAGE: 2500 VRMS, MAX.
3. MECHANICAL:  
 A. DURABILITY: 500 CYCLES MIN.  
 B. TEMPERATURE RANGE: -65° C TO +165° C
4. PACKAGING:  
 A. QUANTITY: SINGLE PACK  
 B. MARKING: BAG TO BE MARKED  
 "AMPHENOL, 82-99, AND DATE CODE"

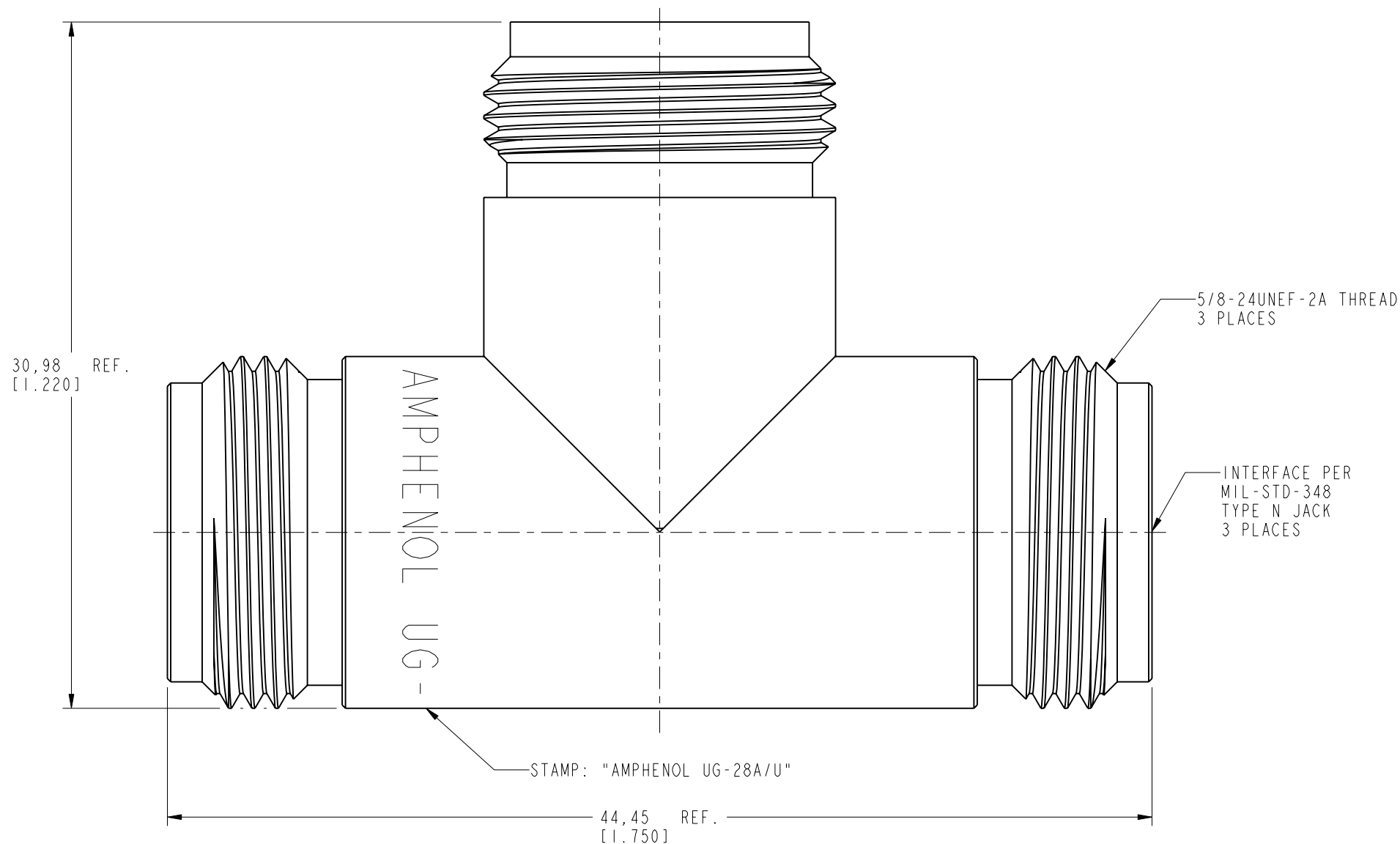
THIRD ANGLE PROJ.

REVISIONS

REV	DESCRIPTION	DATE	ECO	APPR
	OFFICIAL ENG. RELEASE TO MFG.			
N	NOTES UPDATED IN SHEET 1	09-Dec-96	41699	CPM/DR
P	REDRAW IN PRO-E	7/29/09	47526	BM
R	STAMP "AMPHENOL " WAS "74868 " \VRD-DM12040501R3	19-Apr-12	48877	DH



SCALE 1.500



**CUSTOMER OUTLINE DRAWING**

ALL OTHER SHEETS ARE FOR INTERNAL USE ONLY

UNLESS OTHERWISE SPECIFIED, DIMENSIONS ARE IN METRIC AND TOLERANCES ARE: <0.5mm ±0.05mm    0.5 - 6mm ±0.1mm    6 - 30mm ±0.2mm    30 - 120mm ±0.3mm    ANGLES ±1°	MATERIAL	DRAWN R. MAO	DATE 30-Mar-12	TITLE 'N' TYPE TEE ADAPTOR UG-28A/U	Amphenol RF <a href="http://www.amphenolrf.com">www.amphenolrf.com</a>
	REFERENCE EAR #                      AND	ENGINEER D. ROYCE	DATE 27-Nov-96		
NOTICE - These drawings, specifications, or other data (1) are, and remain the property of Amphenol corp. (2) must be returned upon request; and (3) are confidential and not to be disclosed to any person other than those to whom they are given by Amphenol Corp. the furnishing of these drawings, specifications, or other data by Amphenol Corp., or to any other person to anyone for any purpose is not to be regarded by implication or otherwise in any manner licensing, granting rights to permitting such holder or any other person to manufacture, use or sell any product, process or design, patented or otherwise, that may in any way be related to or disclosed by said drawings, specifications, or other data.	CONFIGURATION LEVEL: <input type="checkbox"/> <input type="checkbox"/> <input type="checkbox"/>	APPROVED S. HSIEH	DATE 30-Mar-12	SCALE: 4.0:1.0    SHEET 2 OF 2	DRAWING NO. 82-99
	FINISH	CAD FILE		DWG SIZE B	REV R

## X-ON Electronics

Largest Supplier of Electrical and Electronic Components

*Click to view similar products for [RF Adapters - Tee category](#):*

*Click to view products by [Amphenol manufacturer](#):*

Other Similar products are found below :

[R142782000](#) [R114780000W](#) [R142780000W](#) [R143780000](#) [R143782000](#) [344A505](#) [TN2](#) [443A505](#) [5207-1501-000](#) [R125780001](#) [034-1023](#)  
[ADP-BNCF-2BNCF](#) [73148-5003](#) [31-208-1051](#) [CT3312](#) [53S301-K00N5](#) [CT2411](#) [43\\_SMB-50-0-2/111\\_NE](#) [32K301-K00L5](#) [46\\_SMA-50-0-](#)  
[1/111\\_NE](#) [51S303-K00N5](#) [32S301-K00L5](#) [43\\_N-50-0-1/133\\_NE](#) [CPAD705](#) [BN153](#) [031-208-1051](#) [031-70036](#) [082-102](#) [112455](#) [112456](#)  
[112459](#) [112461](#) [112462](#) [112567](#) [112590](#) [122354](#) [122356](#) [132216](#) [132217](#) [142300](#) [172125](#) [172127](#) [172233](#) [31-208](#) [31-208-RFX](#) [31-2208](#)  
[31-8](#) [34-1023](#) [79700](#) [82-99](#)