

4

3

2

1

SPECIFICATIONS

ELECTRICAL

FREQUENCY RANGE _____ DC - 50 GHz

STANDARD dB VALUES _____ 1 THRU 10, 20 & 30 dB

ATTENUATION ACCURACY _____ DC - 26.5 GHz 26.5 - 40 GHz 40 - 50 GHz
 3 THRU 10 dB ±0.5 dB ±1.0 dB ±1.5 dB
 20 & 30 dB ±0.75 dB ±1.25 dB ±2.0 dB

VSWR (MAX) _____ DC-26.5 GHz 26.5 - 40 GHz 40 - 50 GHz
 <1.35 <1.60 <1.65

POWER (AVG. MAX.) _____ SEE TABLE
 DERATES LINEARLY TO 10% AT +100°C

IMPEDANCE _____ 50 OHMS

TEMPERATURE RANGE _____ -55 TO +100°C

MATERIAL

HOUSING _____ STAINLESS STEEL IAW ASTM-A484 & ASTM-A582, ALLOY 303, COND A

CONTACT _____ BERYLLIUM COPPER

DIELECTRIC _____ HIGH TEMPERATURE PLASTIC BEAD

FINISH

HOUSING _____ PASSIVATED STAINLESS STEEL

CONDUCTOR _____ GOLD PLATED IAW MIL-PRF-39012

RoHS COMPLIANT DEVICE

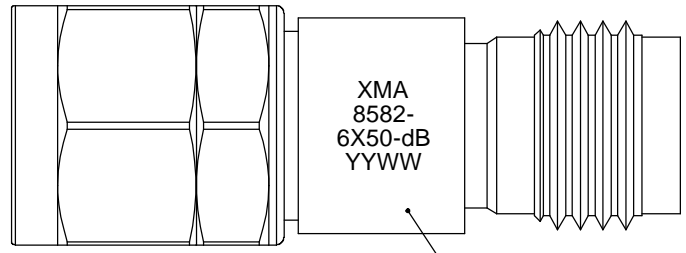
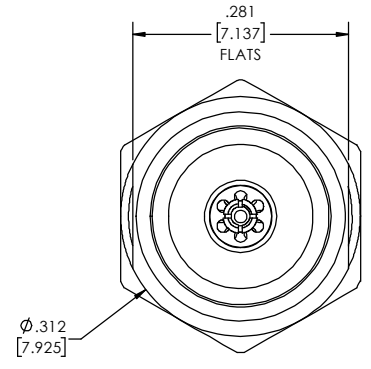
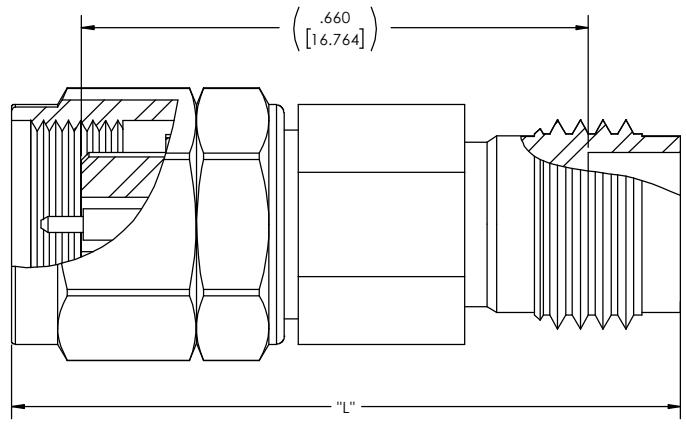
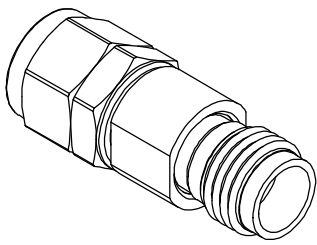
DB VALUE LENGTH "L"
 0-20_871±.030
 30_911±.030

MARKING

PART LOOKS LIKE PRODUCT IMAGE ABOVE.
 PART MARKING ORIENTATION AND FORMAT AS SHOWN (CURVED SURFACE).
 dB = SEE TABLE FOR TWO DIGIT dB VALUE.
 REPLACE "X" WITH ONE DIGIT REPRESENTING POWER LEVEL FROM TABLE.
 MARKING TO BE AS LARGE AS POSSIBLE.
 YYYY EQUALS DATE CODE.

PART NO	ATTENUATION	MARKED dB VALUE
8582-6X50-01	1dB	01
8582-6X50-02	2dB	02
8582-6X50-03	3dB	03
8582-6X50-04	4dB	04
8582-6X50-05	5dB	05
8582-6X50-06	6dB	06
8582-6X50-07	7dB	07
8582-6X50-08	8dB	08
8582-6X50-09	9dB	09
8582-6X50-10	10dB	10
8582-6x50-12	12dB	12
8582-6X50-20	20dB	20
8582-6X50-30	30dB	30

8582-6X50-dB	POWER LEVEL
X=0	0.5 WATT
X=1	1.0 WATT



MARKING SEE NOTE

REVISIONS				
REV	DESCRIPTION	ECO #	DATE	APPROVED
D	ADDED MARKING	15-182	6/16/15	T.KUHN
E	ADDED XMA TO MARKING	16-080	4/12/16	T.KUHN
F	VSWR 1.65:1 WAS 1.75:1	17-121	8/1/17	T.KUHN
G	ADDED 12 dB TO CHART	20-059	4/22/20	T.KUHN

QTY.	PART NUMBER	DESCRIPTION	ITEM NO.
X	8582-6X50-dB	ATTENUATOR, 2.4mm-m/f, DC-50GHz	
1	TA-8582-6X50-dBU	ASSY, ATTENUATOR, 2.4mm-m/f, DC-50GHz, UNMARKED	1

DRAWING PRACTICES PER ANSI Y-14.5
 DIMENSIONS ARE IN INCHES AND APPLY BEFORE/ AFTER PROCESSING

SURFACE ROUGHNESS: 63

FINISH: SEE NOTES

MATERIAL: SEE NOTES

NOTE: THIS DRAWING INCORPORATES THIRD ANGLE PROJECTION.

INTERPRET IAW ANSI Y14.5-1982

UNLESS OTHERWISE SPECIFIED TOLERANCES IN:
 DECIMALS INCH [MM]
 .X" .05" [1.27]
 .XX" .03" [.76]
 .XXX" .010" [.25]

ANGLES ±0°30'
 REMOVE ALL BURRS/SHARP W/ BREAK / R OF .003" TO .0005"
 UNLESS OTHERWISE NOTED DIAS CONCENTRIC <.003 T.I.R.

DO NOT SCALE PRINT

DRAWN DATE
 McCORMICK 04/28/15

CHECKED DATE
 McCORMICK 04/28/15

ENG APPR. DATE
 T.KUHN 04/28/15

THESE DRAWINGS AND SPECIFICATIONS ARE THE PROPERTY OF XMA CORP. OR OMNI SPECTRA AND SHALL NOT BE REPRODUCED, COPIED NOR USED IN WHOLE OR IN PART AS A BASIS FOR THE MANUFACTURE OR SALE OF OTHER ITEMS WITHOUT THE EXPRESS WRITTEN PERMISSION OF XMA CORP.

Phone: 603-222-2256 Fax: 603-222-2259
 150 Dow Street, Manchester, NH 03101

ATTENUATOR, 2.4mm-m/f, DC-50GHz

SIZE	CAGE CODE	DRAWING NUMBER	REV
C	3HT76	8582-6X50-dB	G

SCALE: PLATED AREA 50 IN SHEET 1 OF 1

4

3

2

1

X-ON Electronics

Largest Supplier of Electrical and Electronic Components

Click to view similar products for [Attenuators - Interconnects](#) category:

Click to view products by [Amphenol](#) manufacturer:

Other Similar products are found below :

[R414701000](#) [R411800121](#) [R413840115](#) [ATT-523F-05-SMA-02](#) [R413305000](#) [R411808121](#) [R412501124](#) [R414702000](#) [ATP8-10006KV](#)
[R414705000](#) [R411710124](#) [R410220121](#) [CT3369A-20](#) [09AS102-K40S3](#) [R411802000](#) [ATT-263F-03-SMA-02](#) [R417320130](#) [R412508124](#)
[R417030110](#) [ATT-523F-12-SMA-02](#) [ATT-263F-06-SMA-02](#) [ATT-0263-22-SMA-02](#) [ATT-263F-10-SMA-02](#) [ATT-523F-10-SMA-02](#)
[R422030020](#) [R422020030](#) [R417506130](#) [ATT-0263-25-SMA-02](#) [R413810000](#) [R411810124](#) [R413803000](#) [R417330110](#) [ATT-0290-02-HEX-](#)
[02](#) [R415603000](#) [R415620000](#) [R415606000](#) [R415610000](#) [ATT-0290-00-SMA-02](#) [AT-130V](#) [CATTEN-05R0-BNC](#) [CATTEN-04R0-BNC](#)
[6620_SMA-50-1/199_NE](#) [6630_SMA-50-2/199_NE](#) [CATTEN-06R0-BNC](#) [ATT-0294-02-SMA-02](#) [ATT-0298-06-HEX-02](#) [6610_SMA-50-](#)
[2/199_NE](#) [6605_SMA-50-1/199_NE](#) [6820.17.A](#) [6803.17.B](#)