

858 SERIES

Amphenol
Commercial Products



Features:

- High speed, high density shielded I/O connectors
- Ribbon contact is on a grid that provides small footprint connectors
- "D" shape interface assures correct polarity
- Metal shells improve EMI / RFI shielding
- Contacts : 14 / 26 / 36 way PCB side connectors
- Accepts a wide variety of cable constructions
- Accepts a wide variety of shielded junction shells

Overview:

These high density shielded I/O connectors with ribbon contacts (0.5 pitch) provide a reliable connection and EMI / ESD protection. The 858 series connectors have excellent electrical performance in high data rate, low voltage, and differential signal transmission applications.



Applications:

- Control Systems
- Telecom Equipment
- SCSI Applications
- Scientific Instruments



To learn more about 858 series connectors:

web: amphenolcanada.com

email: sales@amphenolcanada.com

Technical Characteristics:

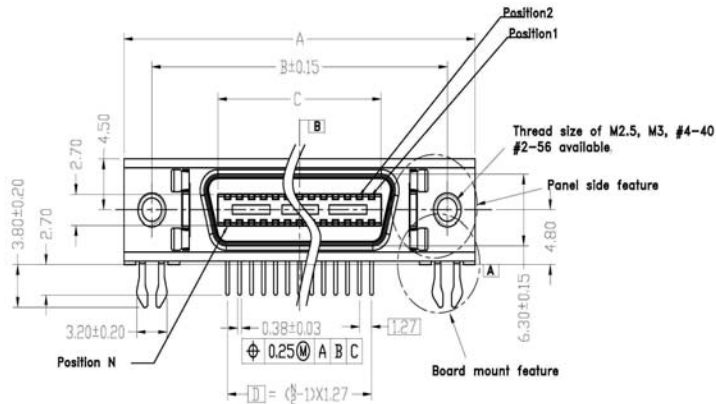
Part Number	Type	Gender	PCB/Cable Mount	Board Lock	Number of Pins	Contact	Contact Resistance	Plating	Packaging
858F014821200D1	PCB	Receptacle	Right Angle Through Hole Type	Without Board Lock	14 Pins	Phosphor Bronze Nickel UnderPlated Tin Plated on termination area	60mΩ max	30u"	Tape and Reel
858F026821200D1					26 Pins				Tape and Reel
858F036821200D1					36 Pins				Tape and Reel
858F03684010022			Press Fit Type	Board Lock	36 Pins				N/A
858M036C1120011	Cable	Plug	IDCVER	N/A	36 Pins	Phosphor Copper Nickel UnderPlated Gold Flash Plating in Tail Area	35mΩ max.	30u"	Tray

858FXXXB21200DX	
Number of Pins	• 14 Pins • 26 Pins • 36 Pins • 50 Pins • 68 Pins • 80 Pins
Plating	• 30 u" Gold Plating + Gold Flash • 15 u" • Gold Flash
PCB Mount	• R/A Through Hole Type • Press Fit Type

C858MXXXC112001X	
Number of Pins	• 26 Pins • 36 Pins
Plating	• 30 u" Gold Plating or Gold Flash Over Pd/Ni for IDC Type • 15 u" • Gold Flash
Cable Mount	• IDC VER • IDC HOR • Slodder VER • Slodder "U" form

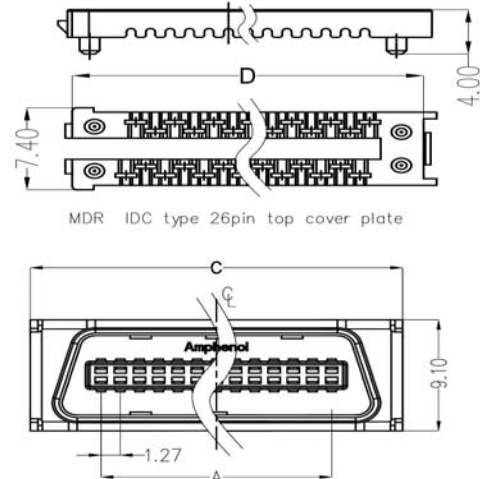
Dimensions:

858FXXXB21200DX



All drawings are measured in inches (mm).

C858MXXXC112001X



* Please visit amphenolcanada.com to find drawings for other products in this series.

X-ON Electronics

Largest Supplier of Electrical and Electronic Components

Click to view similar products for [D-Sub Micro-D Connectors](#) category:

Click to view products by [Amphenol](#) manufacturer:

Other Similar products are found below :

[89076GBEPR](#) [65-1920-15](#) [M83513/03-G12N](#) [M83513/04-G04C](#) [664020C06F060](#) [6R2004A30F015](#) [6R4006A28A120](#) [703006A13F060](#)
[704002A03F200](#) [705001A13F120](#) [71-147714-19P](#) [7-1532020-5](#) [748567-1-P](#) [MDB1-9SH001](#) [MDM-100PH003L](#) [MDM-15PBS-L58](#) [MDM-](#)
[15PCBRM7T](#) [MDM-15PH001M7-A174](#) [MDM-15PH003B-A174](#) [MDM-15SH003A](#) [MDM-15SH004B](#) [MDM-15SH006A-A174](#) [MDM-](#)
[15SH048B](#) [MDM-25PH003B-A174](#) [MDM-25SH003F](#) [MDM-25SH003K](#) [MDM-31PH003L](#) [MDM-37PH006L-A174](#) [MDM-37SH003K](#)
[MDM51PH016FA174](#) [MDM-51PSF](#) [MDM-9PH003M7](#) [MDM-9PH003P-A174](#) [MDM-9SH001P](#) [MDM-9SH006B](#) [790-027SH-10P4MEP](#)
[790-041PJ-25P2MPA](#) [790-043PJ-7P7MPB](#) [791-004SH-66MSA](#) [7R3A00A19A1201](#) [7R5006A19A120](#) [803000C02M020](#) [803001B02M040](#)
[803001D01M040](#) [8030N1A09M020](#) [804001B03M100](#) [804006B03M100](#) [804006C02M030](#) [MLDM2L-21SCBRP-.110](#) [85043GULSR](#)