



Amphenol
FCi



Copyright AFci



1

2

3

4

5

6

TECHNICAL SPECIFICATION

HOUSING MATERIAL : THERMOPLASTIC POLYESTER UL94V-0, GREY
 HOUSING CAN WITHSTAND EXPOSURE TO LEAD FREE WAVE SOLDERING TEMPERATURE OF 260-265°C FOR STRAIGHT CONNECTORS AS IT IS IN CLASSICAL LEAD WAVE SOLDERING AT 235-250°C

CONTACT MATERIAL : COPPER ALLOY
 CONTACT ACTIVE ZONE PLATING : GOLD / GXT™ OVER NICKEL
 CONTACT TERMINATION ZONE :
 LEAD FREE VERSION : TIN (PURE MATTE) OVER Ni

ELECTRICAL DATA

CURRENT RATING AT 20°C : 1.5 A
 CURRENT (I MAX) : 2 A
 TEMPERATURE RANGE : -55°C/+125°C
 CONTACT RESISTANCE : ≤ 20mΩ
 INSULATION RESISTANCE : ≥ 10⁶ MΩ
 TEST VOLTAGE (rms) : 1000V

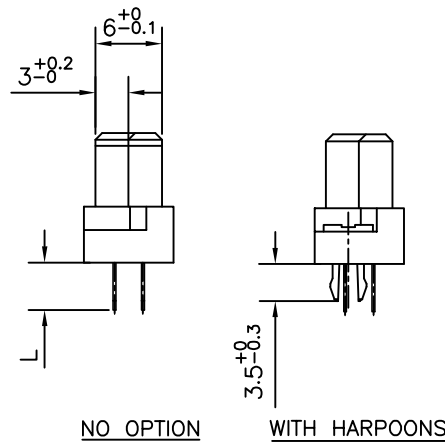
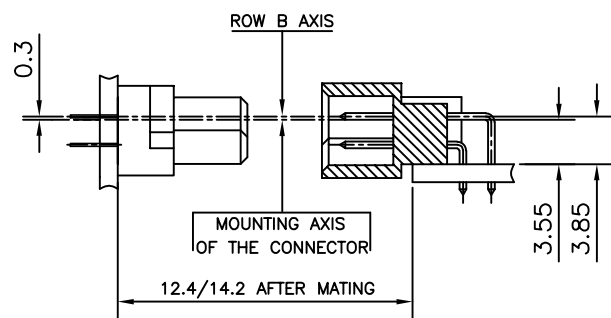
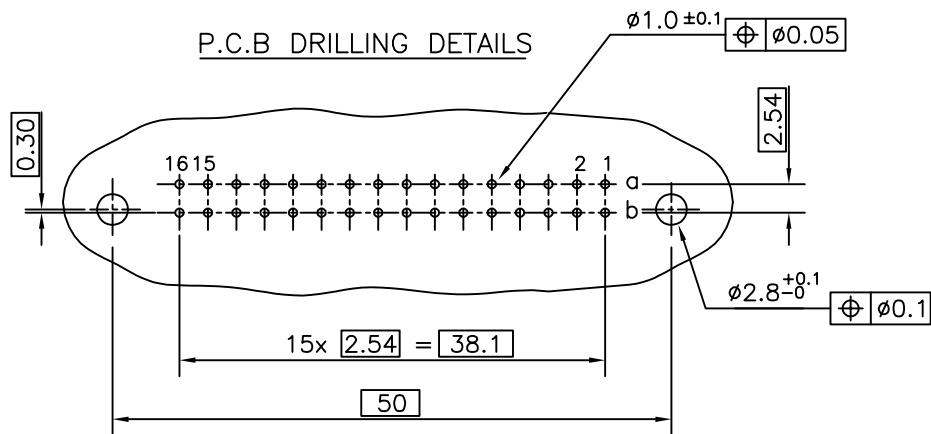
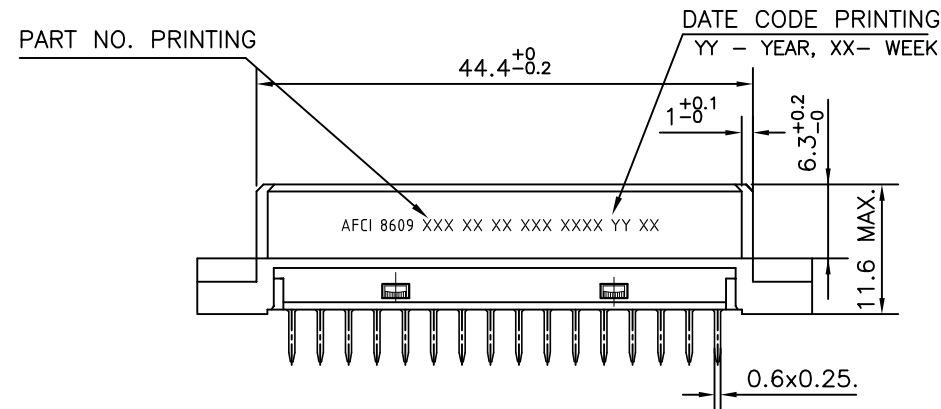
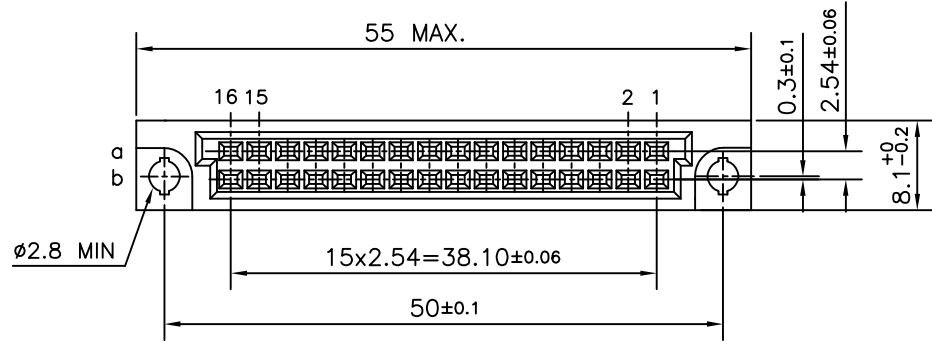
MECHANICAL DATA

INSERTION FORCE PER CONTACT : ≤ 0.94N
 EXTRACTION FORCE PER CONTACT : ≥ 0.15N

REFERENCE SPECIFICATIONS : DIN 41612 / IEC 603-2

SERIES	8609	2	32	6	3	14	7	5	5	V1LF
ROWS FITTED WITH CONTACTS										
Rows a - - - - -		1	16							
Rows a b - - - - -		2	32							
NUMBER OF CONTACTS										
TYPE OF INSULATOR										
2 ROW FEMALE INSULATOR - - - - -				6						
METHOD OF MOUNTING										
STANDARD MOUNTING - STYLE B/2 - - - - -					3					
TERMINATION										
SHORT STRAIGHT SPILL (L - SEE TABLE) - - - - -									24	
LONG STRAIGHT SPILL (L - SEE TABLE) - - - - -									14	
OPTIONS										
NO OPTION - - - - -									7	
WITH HARPOONS - - - - -									H	
PERFORMANCE CLASS										
DIN 41612 CLASS 3 - - - - -									4	
DIN 41612 CLASS 2 - - - - -									5	
DIN 41612 CLASS 1 - - - - -									6	
AS PER MIL C 55302/ JSS 50808 - - - - -									8	
PITCH PER ROW										
2.54 - - - - -									5	

V1LF - - - - - LEAD FREE VERSION



14	4.0
24	2.5
TERM. STYLE	L +0.7 / -0

NOTES:
 1. THE "LF" PRODUCTS MEET EUROPEAN UNION DIRECTIVES AND OTHER COUNTRY REGULATIONS AS DESCRIBED IN GS-47-0004.
 2. LEAD FREE OR RoHS DIRECTIVE LABELING TO BE PROVIDED AS PER GS-14-920 FOR LEAD FREE VERSION.
 3. FOR GENERAL CHARACTERISTICS AND RoHS INFORMATION, REFER DRAWING C-8609-0000A.

mat'l. code	surface	tolerance	projection	product family
-	ISO 1302 ✓	ISO 406 ISO 1101		8609
ltr	ecn no	dr	date	title
A	-	MJA	2019-03-30	DIN STANDARD RECEPTACLE
				STRAIGHT SPILL DIN 41612 STYLE-B/2
				angles
				linear
				0°±1'
				scale -
				mm
				dr
				M JACOB
				2019-03-30
				enr
				M JACOB
				2019-03-30
				chr
				M JACOB
				2019-03-30
				appd
				BIJU K PAUL
				2019-03-30
sheet index	revision	A		dwg no
	sheet	1		sheet 1 of 1
				size
				A3
				type
				Product Customer Drawing

1

2

3

4

5

6

X-ON Electronics

Largest Supplier of Electrical and Electronic Components

Click to view similar products for [DIN 41612 Connectors](#) category:

Click to view products by [Amphenol](#) manufacturer:

Other Similar products are found below :

[004.767](#) [602427301412000](#) [608489050008049](#) [691327-1](#) [74680-0340](#) [76453-0014](#) [86093159ALF](#) [9732967801](#) [QLC260R](#) [120X10019X](#)
[122A11089X](#) [122A13089X](#) [122A10089X](#) [122A10129X](#) [122A13359X](#) [1377391-4](#) [DIN-048CPC-SR1-MH](#) [1393726-7](#) [143-1913-000](#) [143-1908-000](#) [1484472-1](#) [2110070-1](#) [2110070-2](#) [CBC20T00-008FDS5-0-1-002VR](#) [2-1393557-4](#) [394506](#) [419-2080-402](#) [419-2085-302](#)
[V42254B2202C968](#) [419-2086-201](#) [419-2087-002](#) [424693](#) [448657-1](#) [448847-3](#) [5-1393755-9](#) [02990000004](#) [033020](#) [043619](#) [054302](#) [043556](#)
[09062483201750](#) [09031646555](#) [09061486901840](#) [09185107324800](#) [102A10019X](#) [1-1393725-9](#) [166397-1](#) [V23533B2151G605](#) [0761420021](#)
[9732646801](#)