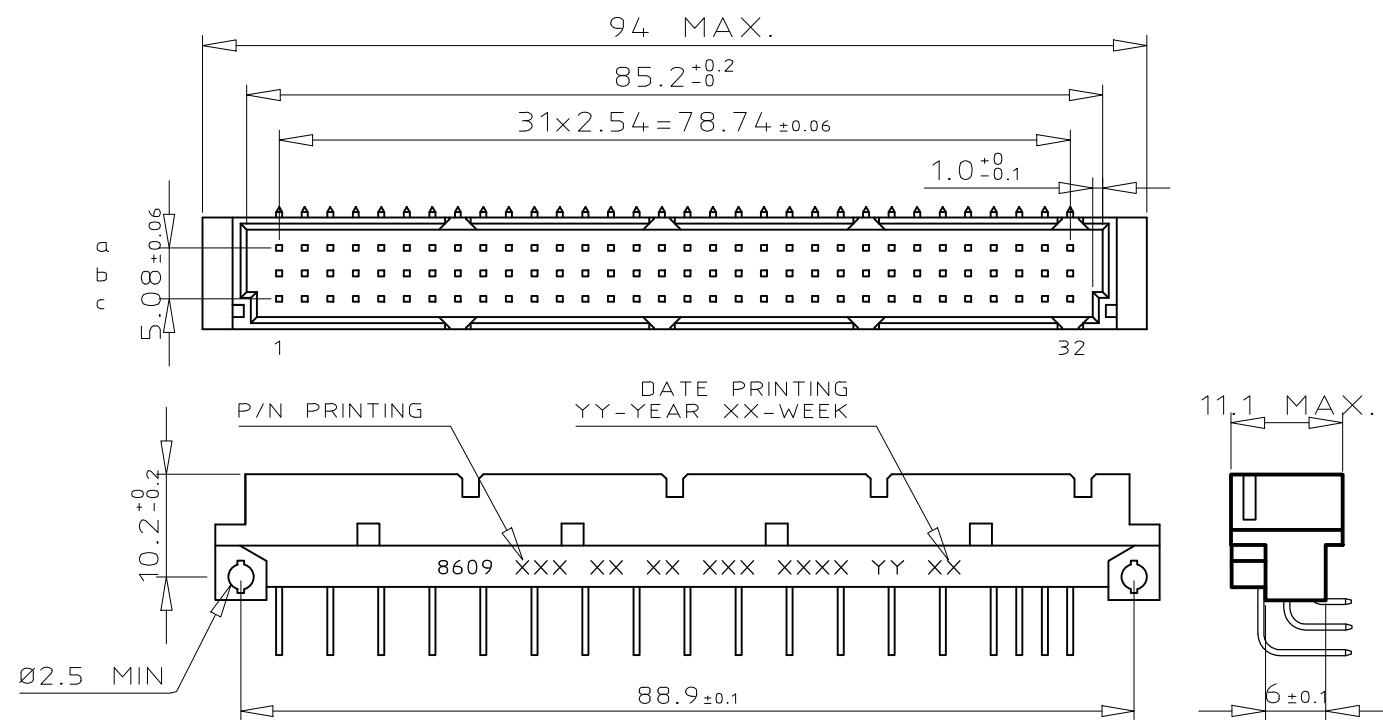
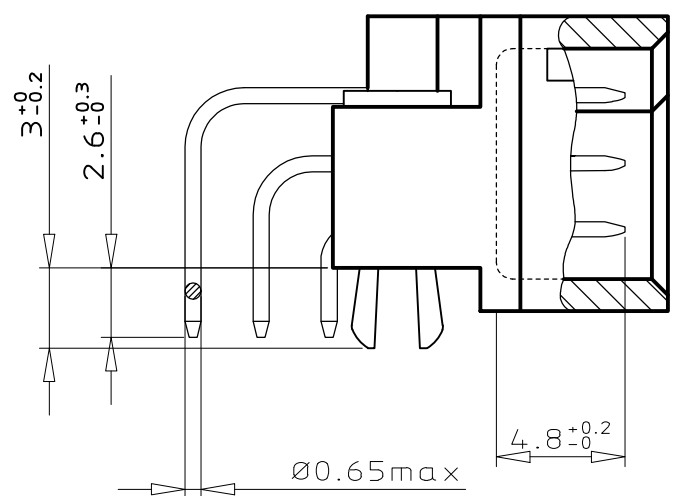


DIMENSIONS



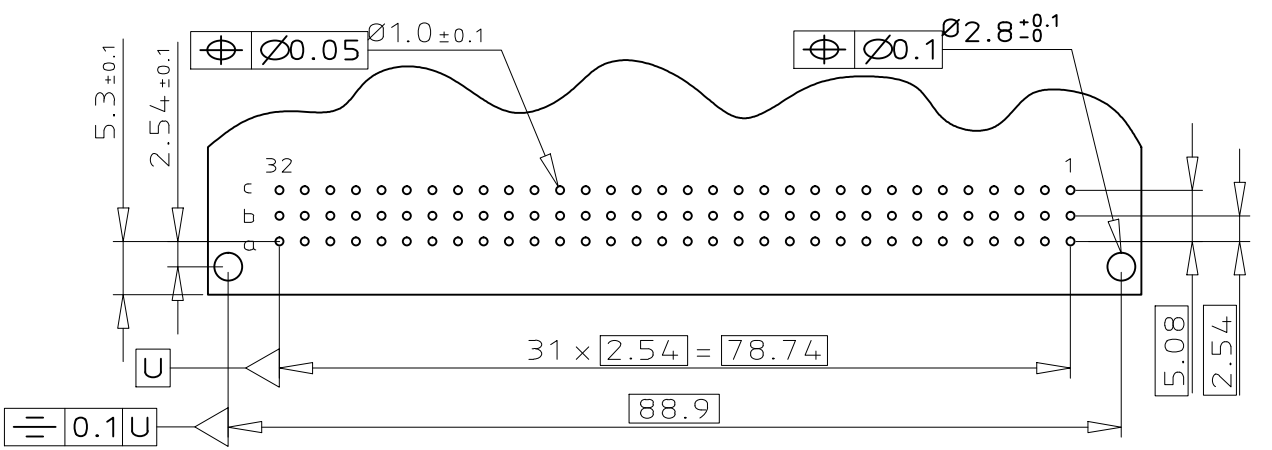
TERMINATION



ORDERING INFORMATION

SERIES	8609	3	51	7	1	13	7	5	0	TSELF
ROWS FITTED WITH CONTACTS										
ROW a	b	c								
NO. OF CONTACTS										
TYPE OF INSULATOR										
3 ROW MALE INSULATOR	7									
METHOD OF MOUNTING										
STANDARD MOUNTING - STYLE C	1									
TERMINATION										
ANGLED SPILL	13									
OPTIONS										
NO OPTION	7									
WITH HARPOONS	H									
PERFORMANCE CLASS										
DIN 41612 CLASS 3	4									
DIN 41612 CLASS 2	5									
DIN 41612 CLASS 1	6									
AS PER MIL C 55302 / JSS 50808	8									
PITCH PER ROW										
MIXED PITCH	0									
LEAD FREE VERSION SPL CONTACTS LOADING	TSELF									

PCB LAYOUT



CONTACT ARRANGEMENT

	1	2	3	4	5	6	7	8	9	10	11	12	13	14	15	16	17	18	19	20	21	22	23	24	25	26	27	28	29	30	31	32	
a	X	X	X	X	X	X	X	X	X	X	X	X	X	X	X	X	X	X	X	X	X	X	X	X	X	X	X	X	X	X	X	X	X
b	X	X	X	X	X	X	X	X	X	X	X	X	X	X	X	X	X	X	X	X	X	X	X	X	X	X	X	X	X	X	X	X	X
c	X	X	X	X	X	X	X	X	X	X	X	X	X	X	X	X	X	X	X	X	X	X	X	X	X	X	X	X	X	X	X	X	X

STANDARD CONTACT
 EMPTY CAVITY
 FMLB CONTACT
 LMEB CONTACT

GENERAL CHARACTERISTICS & RoHS INFO
REFER DRAWING C-8609-0000A

mat'l. code	surface	tolerance	projection	product family
SEE DRAWING C-8609-0000A	ISO 1302 ✓	ISO 406 ISO 1101		8609
ltr	ecn no	dr	date	title
A	109-0064	KR	2009-04-21	DIN STANDARD HEADER
B	111-0031	MJA	2011-02-11	ANGLED SPILL DIN 41612 STYLE C
tolerances unless otherwise specified				scale 3:2
angles		linear	mm	
0°±2°		0.X ±0.3	FCJ	
		0.XX ±0.13	dwg no	
		0.XXX ±0.05	sheet 1 of 1 size	
dr		KESAVAN R	2009-04-21	C-8609-2189 A3
enr		KESAVAN R	2009-04-21	type Product Customer Drawing
chr		S ALOSIOUS	2011-02-11	
appd		BIJU K PAUL	2011-02-11	
sheet index	revision sheet	B	1	

X-ON Electronics

Largest Supplier of Electrical and Electronic Components

Click to view similar products for [DIN 41612 Connectors](#) category:

Click to view products by [Amphenol](#) manufacturer:

Other Similar products are found below :

[004.767](#) [608489050008049](#) [691327-1](#) [74670-0732](#) [74680-0340](#) [75880-0015](#) [76453-0014](#) [86093159ALF](#) [9732967801](#) [QLC260R](#)
[120X10019X](#) [120X10089X](#) [122A10249X](#) [122A10669X](#) [122A11089X](#) [122A13089X](#) [122A10089X](#) [122A10129X](#) [122A10349X](#)
[122A13359X](#) [1377391-4](#) [DIN-048CPC-SR1-MH](#) [1393583-2](#) [1393726-7](#) [140X10129X](#) [143-1913-000](#) [143-1908-000](#) [1484472-1](#) [2110070-1](#)
[2110070-2](#) [CBC20T00-008FDS5-0-1-002VR](#) [172699-5036](#) [2-1393557-4](#) [2-1437084-2](#) [CTJ720E01B-6141](#) [394506](#) [419-2080-402](#)
[V42254B2202C968](#) [419-2086-201](#) [419-2087-002](#) [448657-1](#) [448847-3](#) [5-1393755-9](#) [02990000004](#) [054302](#) [043556](#) [09062483201750](#)
[0850033067](#) [09031646555](#) [09061486901840](#)