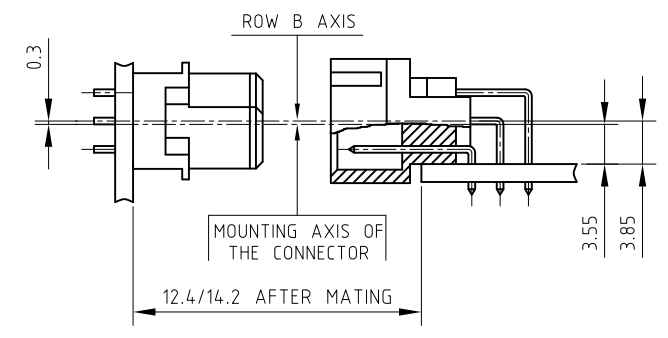
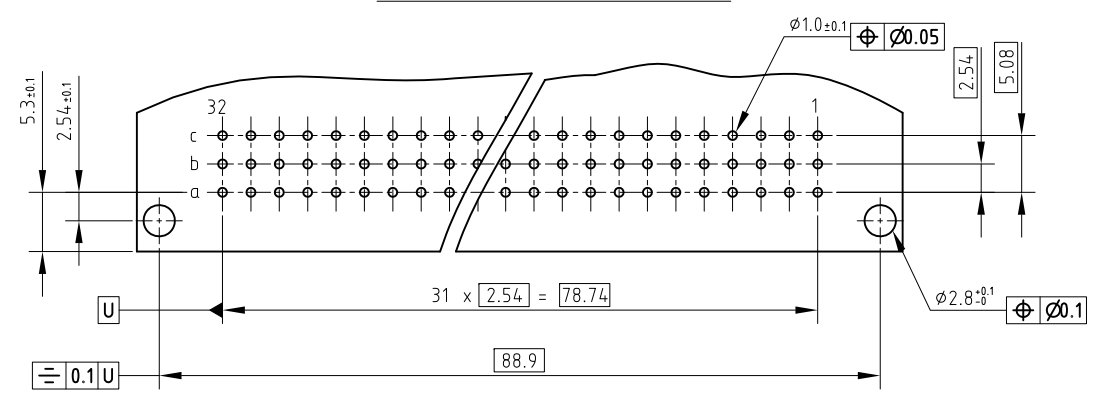


PCB DRILLING DETAILS



NOTES:

1. THE "LF" PRODUCTS MEET EUROPEAN UNION DIRECTIVES AND OTHER COUNTRY REGULATIONS AS DESCRIBED IN GS-22-008.
2. THE HOUSING WILL WITHSTAND EXPOSURE TO 260°C PEAK TEMPERATURE FOR 3.5 SECONDS IN A WAVE SOLDER APPLICATION WITH A 1.6 MM MINIMUM THICK CIRCUIT BOARD.
3. LEAD FREE OR RoHS DIRECTIVE LABELING TO BE PROVIDED AS PER GS-14-920 FOR LEAD FREE VERSION.

TECHNICAL SPECIFICATION

HOUSING MATERIAL : THERMOPLASTIC POLYESTER UL94V0; GREY  
 HOUSING CAN WITHSTAND EXPOSURE TO LEAD FREE WAVE SOLDERING TEMPERATURE OF 260-265°C  
 WHEN USED WITH PROTECTIVE ADHESIVE OR PROTECTIVE METALLIC DEVICE FOR ANGLE CONNECTORS AS IT IS USED IN CLASSICAL LEAD WAVE SOLDERING AT 235-250°C.  
 CONTACT & HARPOON MATERIAL : COPPER ALLOY  
 CONTACT PLATING :  
 CONTACT ZONE : Au OVER Ni (or) Au+Pd-Ni OVER Ni  
 TERMINATION ZONE : Sn (PURE MATT) OVER Ni FOR LEAD FREE VERSION  
 HARPOON PLATING : Sn (PURE MATT) OVER Ni FOR LEAD FREE VERSION

ELECTRICAL DATA

CURRENT RATING AT 20°C : 1.5 A  
 CURRENT (I MAX) : 2 A  
 TEMPERATURE RANGE : -55°C TO +125°C  
 CONTACT RESISTANCE : ≤ 20mΩ  
 INSULATION RESISTANCE : ≥ 10<sup>6</sup> MΩ  
 TEST VOLTAGE (rms) : 1000 V

MECHANICAL DATA

INSERTION FORCE PER CONTACT : ≤ 0.94 N  
 EXTRACTION FORCE PER CONTACT : ≥ 0.15 N

REFERENCE SPECIFICATION : DIN 41612 / IEC 603-2

SERIES	8609	3	64	7	1	13	7	6	0	SKLF
ROWS FITTED WITH CONTACTS										
ROW a b c	3 64									
NO. OF CONTACTS										
TYPE OF INSULATOR										
3 ROW MALE INSULATOR	7									
METHOD OF MOUNTING										
STANDARD MOUNTING - STYLE C	1									
TERMINATION										
ANGLED SPILL	13									
OPTIONS										
NO OPTION	7									
WITH HARPOONS	H									
PERFORMANCE CLASS										
DIN 41612 CLASS 3	4									
DIN 41612 CLASS 2	5									
DIN 41612 CLASS 1	6									
AS PER MIL C 55302 / JSS 50808	8									
PITCH PER ROW										
MIXED PITCH	0									
SPECIAL CODE: SPECIAL LOADING OF CONTACTS, LEAD FREE VERSION	SKLF									
CONTACTS LOADED ONLY IN	a: 1,2,3,4,5,6,7,8,9,10,11,12,13,14,15,16,17,18,19,20,21,22,23,24,25,26,27,28,29,30,31,32 b: 2,4,6,8,10,12,14,16,18,20,22,24,26,28,30,32 c: 2,4,6,8,10,12,14,16,18,20,22,24,26,28,30,32									

mat'l. code SEE TECH. SPEC.				surface ISO 1302 ✓ ISO 406 ISO 1101		tolerance ISO 406 ISO 1101		projection mm		product family 8609			
A I10-0164 SAL 2010-08-16				B ELX-I-25006 MJA 2016-09-22		tolerances unless otherwise specified .0±1		mm		title DIN STANDARD HEADER ANGLED SPILL DIN 41612 STYLE-C			
dr JOHN SLEEBA 2008-09-05				enr JOHN SLEEBA 2008-09-05		chr M JACOB 2016-09-22		appd BIJU K PAUL 2016-09-22		scale 3:2		dwg no C-8609-2149	
sheet index				revision sheet B 1		Amphenol FCi		type Product Customer Drawing		sheet 1 of 1		size A3	

## X-ON Electronics

Largest Supplier of Electrical and Electronic Components

*Click to view similar products for [DIN 41612 Connectors](#) category:*

*Click to view products by [Amphenol](#) manufacturer:*

Other Similar products are found below :

[004.767](#) [608489050008049](#) [691327-1](#) [74670-0732](#) [74680-0340](#) [75880-0015](#) [76453-0014](#) [86093159ALF](#) [9732967801](#) [QLC260R](#)  
[120X10019X](#) [120X10089X](#) [122A10249X](#) [122A10669X](#) [122A11089X](#) [122A13089X](#) [122A10089X](#) [122A10129X](#) [122A10349X](#)  
[122A13359X](#) [1377391-4](#) [DIN-048CPC-SR1-MH](#) [1393583-2](#) [1393726-7](#) [140X10129X](#) [143-1913-000](#) [143-1908-000](#) [1484472-1](#) [2110070-1](#)  
[2110070-2](#) [CBC20T00-008FDS5-0-1-002VR](#) [172699-5036](#) [2-1393557-4](#) [2-1437084-2](#) [CTJ720E01B-6141](#) [394506](#) [419-2080-402](#)  
[V42254B2202C968](#) [419-2086-201](#) [419-2087-002](#) [448657-1](#) [448847-3](#) [5-1393755-9](#) [02990000004](#) [054302](#) [043556](#) [09062483201750](#)  
[0850033067](#) [09031646555](#) [09061486901840](#)