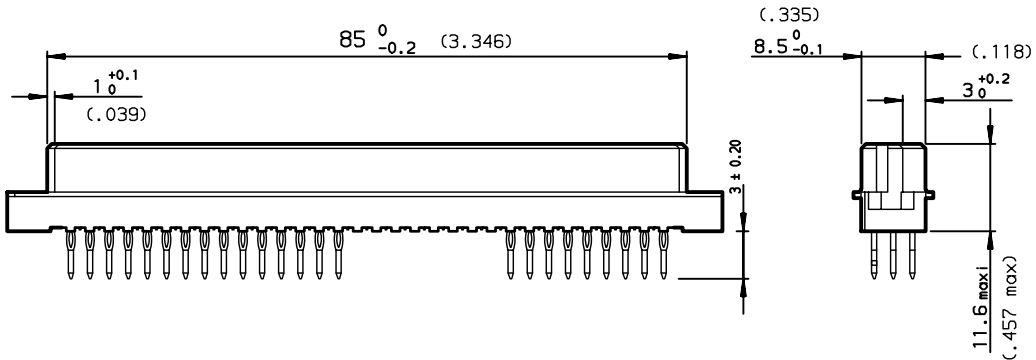
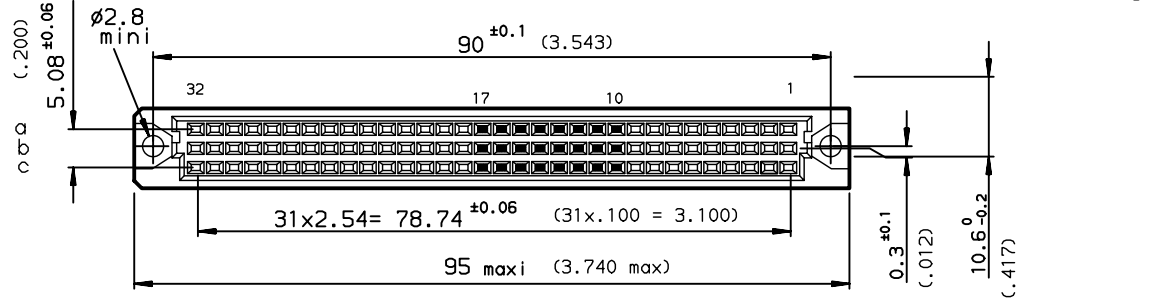
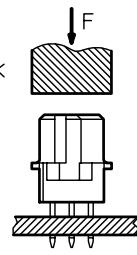


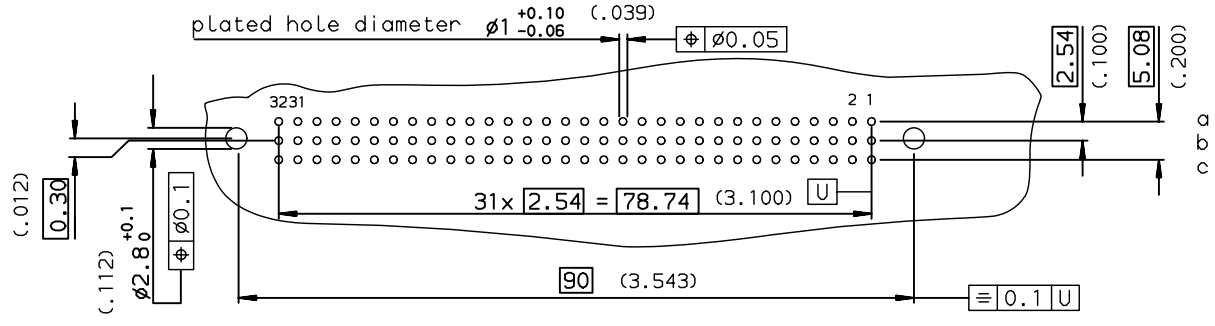
DIMENSIONS mm (inches)



METHOD OF INSERTION ON THE PCB = FLAT ROCK



PCB LAYOUT



SPECIFICATION 972 or FILF= Nothing in cavities 10 to 17 row a / b / c

European Views

LEAD FREE P/N
86093728194755FILF

GENERAL CHARACTERISTICS AND ROHS INFORMATIONS:
SEE DRAWING C-8609-0000C

| rev | ecn no | dr | YY/MM/DD |
|-----|-----------|-----|------------|
| A | LS08-0148 | HLE | 2008/04/15 |
| B | LS08-0164 | HLE | 2008/07/16 |
| - | - | - | - |
| - | - | - | - |
| - | - | - | - |
| - | - | - | - |

| | | | | |
|---|-----------|-----------------------|-----------------------------------|------------------|
| www.fciconnect.com | | surface ISO 1302 ✓ | tolerance std ISO 406 ISO 1101 | projection mm |
| TOLERANCES UNLESS OTHERWISE SPECIFIED | | | | |
| Dr | LE GALLIC | 2008/04/15 | 0.X | ±0.1 |
| Eng | LE GALLIC | 2008/04/15 | 0.XX | ±0.1 |
| Chr | LEGARE | 2008/04/15 | 0.XXX | ±0.1 |
| Appr | LEGARE | 2008/04/15 | ANGULAR | LINEAR |
| Product family | | | DIN 8609 | Spec ref - |
| title STRAIGHT RECEPTACLE - STYLE C | | | size A3 | Scale 1.5 |
| PRESS FIT | | | ECN LS08-0164 | Rev. B |
| catalog no see table | | | dwg no C-8609-1225 | sheet 1 of 1 |

X-ON Electronics

Largest Supplier of Electrical and Electronic Components

Click to view similar products for [DIN 41612 Connectors](#) category:

Click to view products by [Amphenol](#) manufacturer:

Other Similar products are found below :

[004.767](#) [608489050008049](#) [691327-1](#) [74670-0732](#) [74680-0340](#) [75880-0015](#) [76453-0014](#) [86093159ALF](#) [9732967801](#) [QLC260R](#)
[120X10019X](#) [120X10089X](#) [122A10249X](#) [122A10669X](#) [122A11089X](#) [122A13089X](#) [122A10089X](#) [122A10129X](#) [122A10349X](#)
[122A13359X](#) [1377391-4](#) [DIN-048CPC-SR1-MH](#) [1393583-2](#) [1393726-7](#) [140X10129X](#) [143-1913-000](#) [143-1908-000](#) [1484472-1](#) [2110070-1](#)
[2110070-2](#) [CBC20T00-008FDS5-0-1-002VR](#) [172699-5036](#) [2-1393557-4](#) [2-1437084-2](#) [CTJ720E01B-6141](#) [394506](#) [419-2080-402](#)
[V42254B2202C968](#) [419-2086-201](#) [419-2087-002](#) [448657-1](#) [448847-3](#) [5-1393755-9](#) [02990000004](#) [054302](#) [043556](#) [09062483201750](#)
[0850033067](#) [09031646555](#) [09061486901840](#)