

DIMENSIONS

TERMINATION

A

B

C

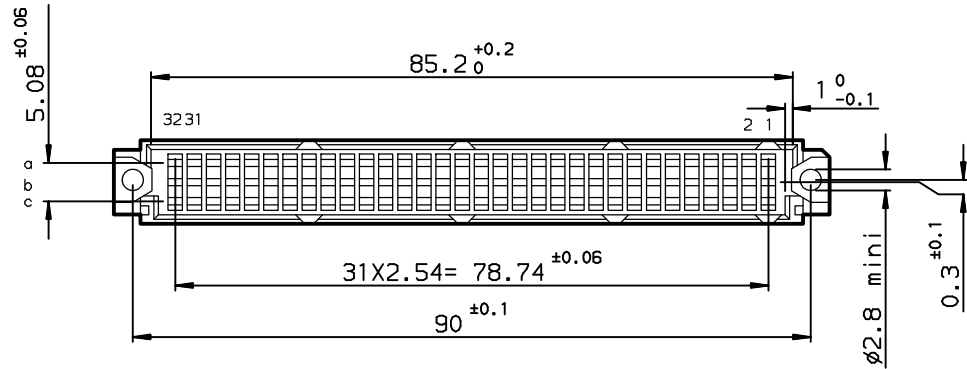
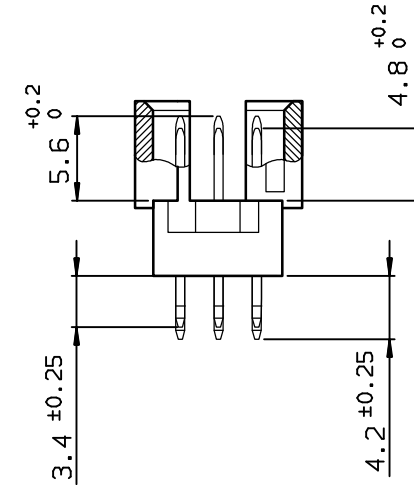
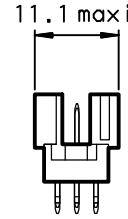
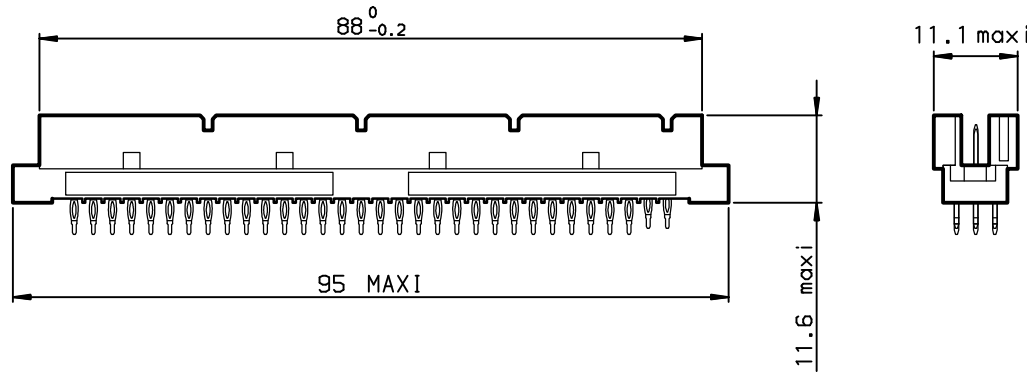
D

A

B

C

D



TIN LEAD PART NUMBER

PART NUMBER

86093967894755875E1

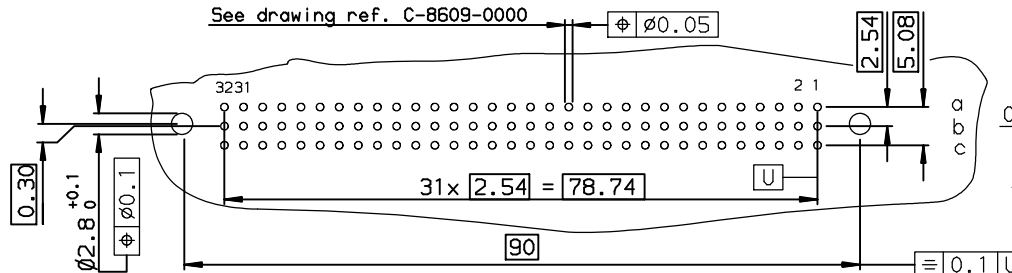
LEAD FREE PART NUMBER

PART NUMBER

86093967894755CALF

P.C. CARD DRILLING (Component side view)

See drawing ref. C-8609-0000



SPECIFICATION 875 = No standard mounting length in row a-b-c cavities 1 and 2 :  
OR SPECIFICATION CA = 6 contacts more inserted in housing = termination 3.4 mm  
and mating length 5.6 mm

25% rebroye maxi

European Views

GENERAL CHARACTERISTICS AND ROHS INFORMATIONS:

SEE DRAWING C-8609-0000C

rev	ecn no	dr	date
C	-	-	2005/01/06
D	LS05-004	JTA	2005/02/26
E	LS06-0095	LGO	2006/06/28
-	-	-	-
-	-	-	-
-	-	-	-

www.fciconnect.com		surface ISO 1302 ✓	tolerance std ISO 406 ISO 1101	projection mm	mm
TOLERANCES UNLESS OTHERWISE SPECIFIED				size A3	Scale 1.5
Dr	ROUILLARD	2002/01/18	ANGULAR	0.x	±0.1
Eng	TARON	2002/01/18	LINEAR	0.xx	±0.1
Chr	LEGARE	2002/01/18	0.xx' ±2'	0.xxx	±0.1
Appr	LEGARE	2002/01/18	Product family	DIN 8609	Spec ref -
title REVERSE MALE 3 ROW 96 CONTACTS		cataglog no		chg no C-8609-1117	Rev. E
				CUSTOMER	sheet 1 of 1

## X-ON Electronics

Largest Supplier of Electrical and Electronic Components

*Click to view similar products for [DIN 41612 Connectors](#) category:*

*Click to view products by [Amphenol](#) manufacturer:*

Other Similar products are found below :

[004.767](#) [608489050008049](#) [691327-1](#) [74670-0732](#) [74680-0340](#) [75880-0015](#) [76453-0014](#) [86093159ALF](#) [9732967801](#) [QLC260R](#)  
[120X10019X](#) [120X10089X](#) [122A10249X](#) [122A10669X](#) [122A11089X](#) [122A13089X](#) [122A10089X](#) [122A10129X](#) [122A10349X](#)  
[122A13359X](#) [1377391-4](#) [DIN-048CPC-SR1-MH](#) [1393583-2](#) [1393726-7](#) [140X10129X](#) [143-1913-000](#) [143-1908-000](#) [1484472-1](#) [2110070-1](#)  
[2110070-2](#) [CBC20T00-008FDS5-0-1-002VR](#) [172699-5036](#) [2-1393557-4](#) [2-1437084-2](#) [CTJ720E01B-6141](#) [394506](#) [419-2080-402](#)  
[V42254B2202C968](#) [419-2086-201](#) [419-2087-002](#) [448657-1](#) [448847-3](#) [5-1393755-9](#) [02990000004](#) [054302](#) [043556](#) [09062483201750](#)  
[09031646555](#) [09061486901840](#) [09185107324800](#)