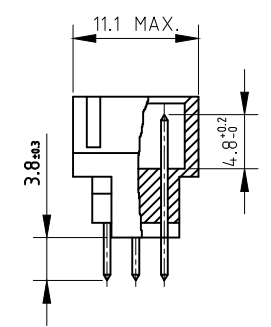
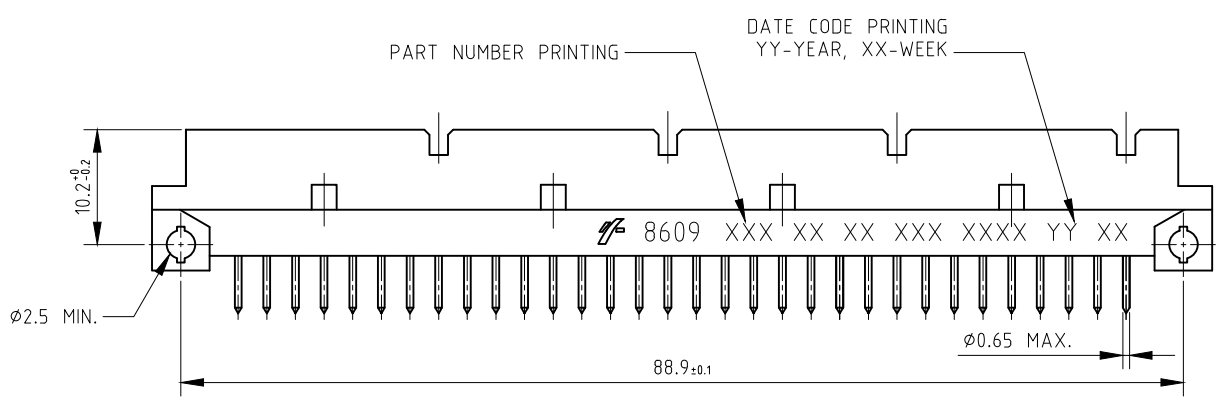
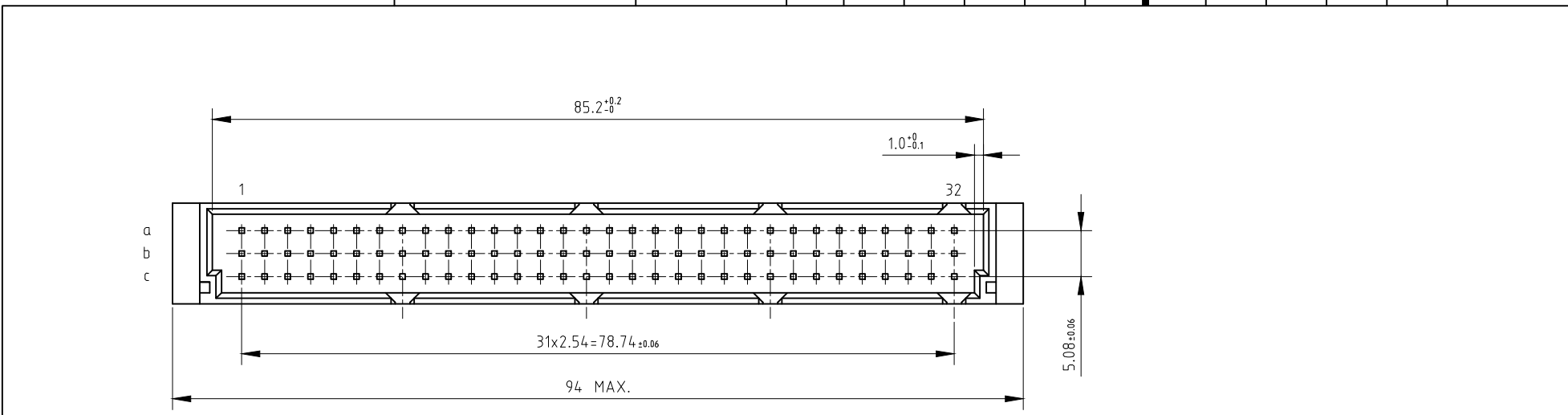


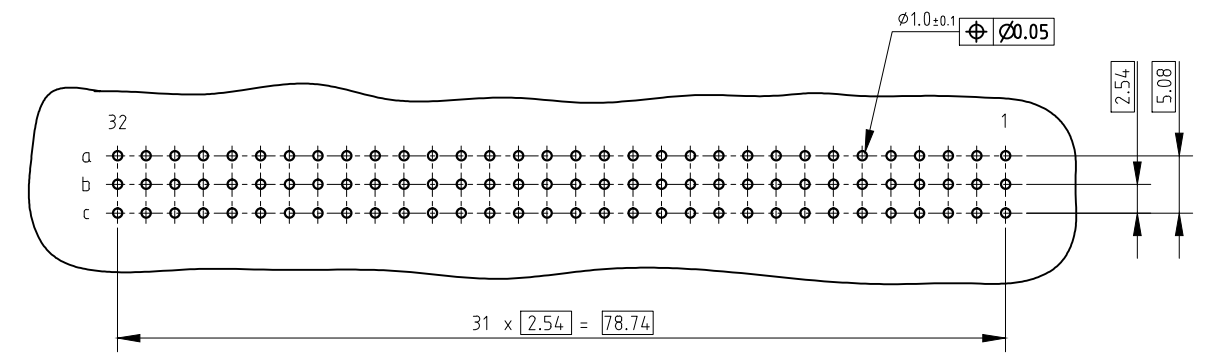


Copyright FCI

FCIconnect.com



### PCB DRILLING DETAILS



- NOTES:
1. THE "LF" PRODUCTS MEET EUROPEAN UNION DIRECTIVES AND OTHER COUNTRY REGULATIONS AS DESCRIBED IN GS-22-008.
  2. THE HOUSING WILL WITHSTAND EXPOSURE TO 260°C PEAK TEMPERATURE FOR 3.5 SECONDS IN A WAVE SOLDER APPLICATION WITH A 1.6 MM MINIMUM THICK CIRCUIT BOARD.
  3. LEAD FREE OR RoHS DIRECTIVE LABELING TO BE PROVIDED AS PER GS-14-920 FOR LEAD FREE VERSION.

### TECHNICAL SPECIFICATION

HOUSING MATERIAL : THERMOPLASTIC POLYESTER UL94V0; GREY  
 HOUSING CAN WITHSTAND EXPOSURE TO LEAD FREE WAVE SOLDERING TEMPERATURE OF 260-265°C FOR STRAIGHT CONNECTORS AS IT IS USED IN CLASSICAL LEAD WAVE SOLDERING AT 235-250°C.  
 CONTACT MATERIAL : COPPER ALLOY  
 CONTACT PLATING :  
 ACTIVE ZONE : Au OVER Ni (OR) Au+Pd-Ni OVER Ni  
 TERMINATION ZONE : Sn (PURE MATT) OVER Ni

### ELECTRICAL DATA

CURRENT RATING AT 20°C : 1.5 A  
 CURRENT (I MAX) : 2 A  
 TEMPERATURE RANGE : -55°C TO +125°C  
 CONTACT RESISTANCE : ≤ 20 mΩ  
 INSULATION RESISTANCE : ≥ 10<sup>6</sup> MΩ  
 TEST VOLTAGE (rms) : 1000 V

### MECHANICAL DATA

INSERTION FORCE PER CONTACT : ≤ 0.94 N  
 EXTRACTION FORCE PER CONTACT : ≥ 0.15 N  
 REFERENCE SPECIFICATION : DIN 41612 / IEC 603-2

|                             |      |   |    |   |   |    |   |   |   |     |
|-----------------------------|------|---|----|---|---|----|---|---|---|-----|
| SERIES                      | 8609 | 3 | 96 | 7 | 1 | 14 | 7 | 4 | 5 | ELF |
| ROWS FITTED WITH CONTACTS   |      |   |    |   |   |    |   |   |   |     |
| ROW a b c                   |      | 3 | 96 |   |   |    |   |   |   |     |
| ROW a - c                   |      | 4 | 64 |   |   |    |   |   |   |     |
| NO. OF CONTACTS             |      |   |    |   |   |    |   |   |   |     |
| TYPE OF INSULATOR           |      |   |    |   |   |    |   |   |   |     |
| 3 ROW MALE INSULATOR        |      |   |    |   |   |    |   |   |   | 7   |
| METHOD OF MOUNTING          |      |   |    |   |   |    |   |   |   |     |
| STANDARD MOUNTING - STYLE C |      |   |    |   |   |    |   |   |   | 1   |
| TERMINATION                 |      |   |    |   |   |    |   |   |   |     |
| STRAIGHTANGLED              |      |   |    |   |   |    |   |   |   | 14  |
| OPTIONS                     |      |   |    |   |   |    |   |   |   |     |
| NO OPTION                   |      |   |    |   |   |    |   |   |   | 7   |
| PERFORMANCE CLASS           |      |   |    |   |   |    |   |   |   |     |
| DIN 41612 CLASS 3           |      |   |    |   |   |    |   |   |   | 4   |
| DIN 41612 CLASS 2           |      |   |    |   |   |    |   |   |   | 5   |
| DIN 41612 CLASS 1           |      |   |    |   |   |    |   |   |   | 6   |
| PITCH PER ROW               |      |   |    |   |   |    |   |   |   |     |
| 2.54 mm                     |      |   |    |   |   |    |   |   |   | 5   |
| LEAD FREE VERSION           |      |   |    |   |   |    |   |   |   | ELF |

|             |                 |         |             |                                       |                  |            |                |                                    |
|-------------|-----------------|---------|-------------|---------------------------------------|------------------|------------|----------------|------------------------------------|
| mat'l. code | SEE TECH. SPEC. | surface | ISO 1302 ✓  | tolerance                             | ISO 406 ISO 1101 | projection | product family | 8609                               |
| ltr         | ecn no          | dr      | date        | tolerances unless otherwise specified |                  |            | title          | DIN STANDARD HEADER STRAIGHT SPILL |
| A           |                 | MJA     | 2013-06-19  | angles                                | linear           | mm         | scale          | 3:2                                |
|             |                 |         |             | 0°±1°                                 |                  |            |                |                                    |
|             |                 | dr      | KESAVAN R   | 2009-02-16                            |                  |            | dwg no         | sheet 1 of 1 size                  |
|             |                 | enr     | M JACOB     | 2013-06-19                            |                  |            | C-8609-2173    | A3                                 |
|             |                 | chr     | M JACOB     | 2013-06-19                            |                  |            | type           | Product Customer Drawing           |
|             |                 | appd    | BIJU K PAUL | 2013-06-19                            |                  |            |                |                                    |
| sheet index | revision        | A       |             |                                       |                  |            |                |                                    |
|             | sheet           | 1       |             |                                       |                  |            |                |                                    |

## X-ON Electronics

Largest Supplier of Electrical and Electronic Components

*Click to view similar products for [DIN 41612 Connectors](#) category:*

*Click to view products by [Amphenol](#) manufacturer:*

Other Similar products are found below :

[004.767](#) [608489050008049](#) [691327-1](#) [74670-0732](#) [74680-0340](#) [75880-0015](#) [76453-0014](#) [86093159ALF](#) [9732967801](#) [QLC260R](#)  
[120X10019X](#) [120X10089X](#) [122A10249X](#) [122A10669X](#) [122A11089X](#) [122A13089X](#) [122A10089X](#) [122A10129X](#) [122A10349X](#)  
[122A13359X](#) [1377391-4](#) [DIN-048CPC-SR1-MH](#) [1393583-2](#) [1393726-7](#) [140X10129X](#) [143-1913-000](#) [143-1908-000](#) [1484472-1](#) [2110070-1](#)  
[2110070-2](#) [CBC20T00-008FDS5-0-1-002VR](#) [172699-5036](#) [2-1393557-4](#) [2-1437084-2](#) [CTJ720E01B-6141](#) [394506](#) [419-2080-402](#)  
[V42254B2202C968](#) [419-2086-201](#) [419-2087-002](#) [448657-1](#) [448847-3](#) [5-1393755-9](#) [02990000004](#) [054302](#) [043556](#) [09062483201750](#)  
[09031646555](#) [09061486901840](#) [09185107324800](#)