

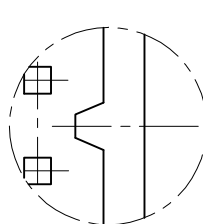
**TECHNICAL SPECIFICATION**

HOUSING MATERIAL : THERMOPLASTIC POLYESTER UL94V0; GREY  
 HOUSING CAN WITHSTAND EXPOSURE TO LEAD FREE WAVE SOLDERING TEMPERATURE OF 260-265°C  
 FOR STRAIGHT CONNECTORS AS IT IS USED IN CLASSICAL LEAD WAVE SOLDERING AT 235-250°C  
 FOR ANGLE CONNECTORS, PROTECTIVE ADHESIVE OR PROTECTIVE METALLIC DEVICE IS TO BE USED  
 AS IN CLASSICAL LEAD WAVE SOLDERING AT 235-250°C

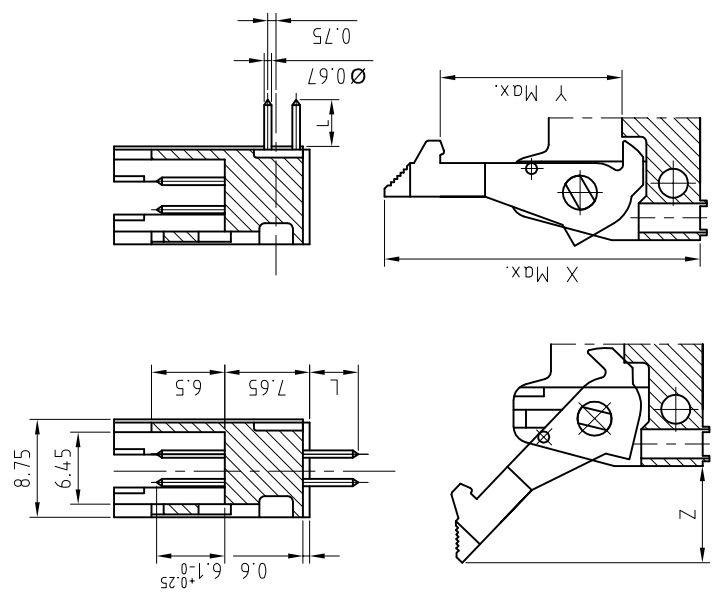
CONTACT MATERIAL : COPPER ALLOY  
 CONTACT PLATING : Au OR EQUIVALENT Au OVER PALLADIUM NICKEL OVER Ni  
 ACTIVE ZONE : Sn (PURE MATTE) OVER Ni  
 TERMINATION STYLE : 1.5A AT 20°C  
 CURRENT RATING : ≥ 5000MΩ AT 100V  
 INSULATION RESISTANCE : ≤ 20mΩ  
 CONTACT RESISTANCE : 1000Vrms  
 DIELECTRIC WITHSTANDING VOLTAGE : -55°C TO +125°C  
 OPERATING TEMPERATURE : IEC 603-13 / DIN 41651  
 REFERENCE SPECIFICATION :

**NOTES**

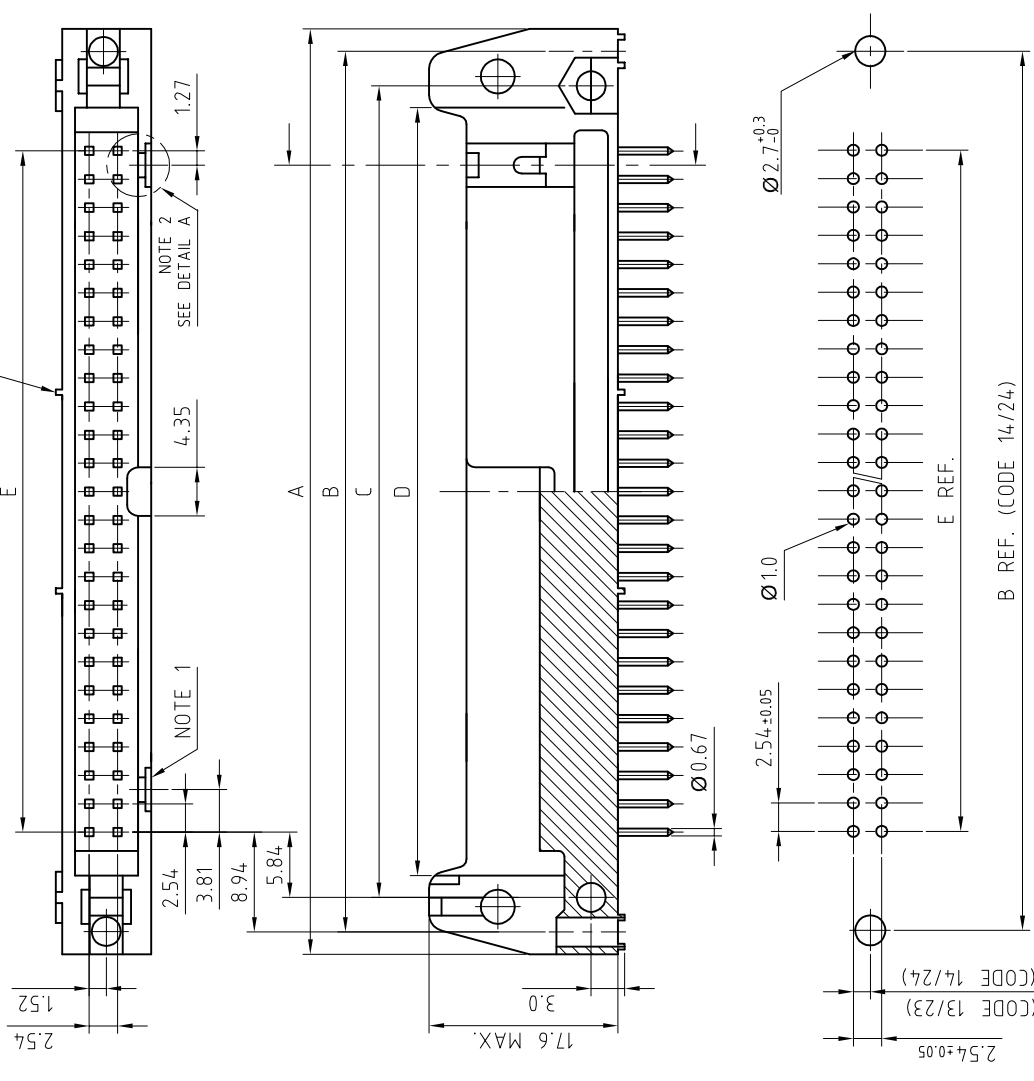
1. LEFT POLARISATION IS NOT PROVIDED FOR 10 & 14 POSITIONS.
2. RIGHT POLARISATION IS NOT PROVIDED FOR 10 POSITION, INSTEAD PROJECTION AS SHOWN IN DETAIL-A WILL BE PROVIDED.
3. INTERMEDIATE LEGS ARE PROVIDED ONLY ABOVE 20 POSITION.
4. THE "LF" PRODUCTS MEET EUROPEAN UNION DIRECTIVES AND OTHER COUNTRY REGULATIONS AS DESCRIBED IN GS-22-008.
5. THE HOUSING WILL WITHSTAND EXPOSURE TO 260°C PEAK TEMPERATURE FOR 3.5 SECONDS IN A WAVE SOLDER APPLICATION WITH A 1.6 MM MINIMUM THICK CIRCUIT BOARD.
6. LEAD FREE OR ROHS DIRECTIVE LABELING TO BE PROVIDED AS PER GS-14-920



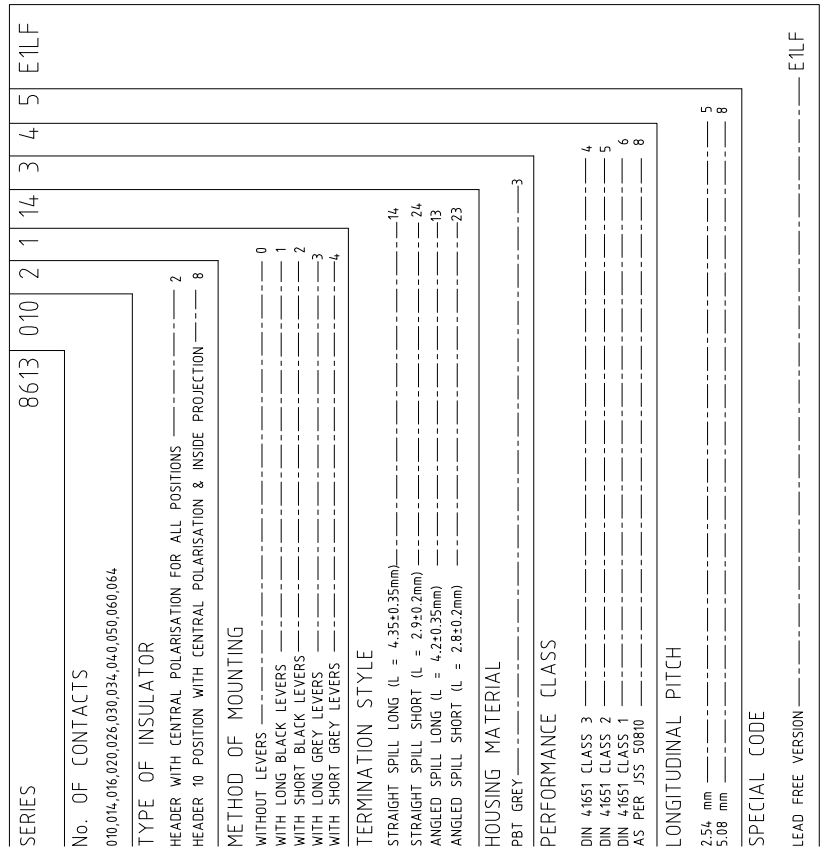
DETAIL A



DIMENSION	LOCKING LEVER	
	SHORT	LONG
X Max.	25.30	28.0
Y Max.	11.30	15.0
Z	9.0	10.5



**PCB DRILLING DETAILS**



SERIES 8613 010 2 1 14 3 4 5 E1LF

No. OF CONTACTS 010,014,016,020,026,030,034,040,050,060,064

TYPE OF INSULATOR HEADER WITH CENTRAL POLARISATION FOR ALL POSITIONS 2

HEADER 10 POSITION WITH CENTRAL POLARISATION & INSIDE PROJECTION 8

METHOD OF MOUNTING  
 WITHOUT LEVERS  
 WITH LONG BLACK LEVERS  
 WITH SHORT BLACK LEVERS  
 WITH LONG GREY LEVERS  
 WITH SHORT GREY LEVERS

TERMINATION STYLE  
 STRAIGHT SPILL LONG (L = 4.35±0.35mm)  
 STRAIGHT SPILL SHORT (L = 2.9±0.2mm)  
 ANGLED SPILL LONG (L = 4.25±0.35mm)  
 ANGLED SPILL SHORT (L = 2.8±0.2mm)

HOUSING MATERIAL  
 PBT GREY

PERFORMANCE CLASS  
 DIN 41651 CLASS 3  
 DIN 41651 CLASS 2  
 DIN 41651 CLASS 1  
 AS PER JSS 50810

LONGITUDINAL PITCH  
 2.54 mm  
 5.08 mm

SPECIAL CODE  
 LEAD FREE VERSION E1LF

mat'l. code		surface	tolerance	projection	product family
SEE TECH. SPEC.		ISO 1302	ISO 406 ISO 1101		8613
ltr	ecn no	dr	date	tolerances unless otherwise specified	title
B	106-0066	MINI	2006-06-01	.0±.1	HEADERS STRAIGHT & ANGLED SPILL, TMT VERSION
C	107-0132	KR	2007-10-05	linear	
D	108-0094	KR	2008-7-28	0°±1°	
E	108-0145	JS	2008-10-18	MINI K V	
F	111-0193	GT	2011-12-20	engr RAKHEE GEORGE	
		chr	2007-07-05	appd KESAVAN R	
		appd	2008-07-28		dwg no sheet 1 of 1 size C-8613-0041 A3
sheet index	revision	F			type Product Customer Drawing
	sheet	1			



## X-ON Electronics

Largest Supplier of Electrical and Electronic Components

*Click to view similar products for [Headers & Wire Housings](#) category:*

*Click to view products by [Amphenol](#) manufacturer:*

Other Similar products are found below :

[892-18-020-10-001101](#) [58102-G61-06LF](#) [582553-1](#) [0009485154](#) [009176003701906](#) [0050291907](#) [LY20-4P-DT1-P1E-BR](#) [02.125.8002.8](#)  
[609-3404](#) [61062-3](#) [622-0430](#) [622-3653LF](#) [63453-116](#) [636-1030](#) [636-1427](#) [636-3427](#) [636-4007](#) [641938-9](#) [641991-4](#) [644827-2](#) [65817-010LF](#)  
[65817-015LF](#) [65863-015LF](#) [66207-023LF](#) [67095-007LF](#) [67601157](#) [68648-049](#) [70.362.1628.0](#) [70-4210](#) [70-4226B](#) [70-4853B](#) [707-5020](#) [707-](#)  
[5028](#) [71.350.2428.0](#) [71918-208LF](#) [71961-016LF](#) [733-134](#) [733-162](#) [754199-000](#) [760-3052](#) [787-8014-00](#) [79531-3000](#) [FCN-360C032-B](#) [FCN-](#)  
[367T-T012/H](#) [FCN-723D010/2](#) [80.063.4001.1](#) [800-90-001-10-001000](#) [800-90-010-10-002000](#) [801-43-002-10-013000](#) [801-43-006-10-002000](#)