

# D-SUBMINIATURE (D-SUB) ACCESSORIES

## WIDE RANGE OF ACCESSORIES FOR SECURE CONNECTION

Amphenol FCI's D-Subminiature (D-Sub) connectors are part of industry standard and are one of the most popular Input/Output interconnects, addressing a wide variety of applications including telecommunications, industrial and medical.

- Prevents accidental mismatching
- Hoods available in 9 to 50 positions for different connector pin configurations
- Metal hoods available in straight and angled terminations for EMI/RFI shielding
- Dust caps available in metal and plastic versions
- Locking screws comes with UNC 4-40 and M3 thread options



### TARGET MARKETS



### FEATURES

- Hoods available in plastic, metalized and metallic form with locking screws
- Hoods available in 9 to 50 positions
- Metal hoods available in straight and angled terminations
- Hoods available with cable clamps and jackscrews
- Hoods available in different orientations and locking options
- Range includes different locking devices like screw locks and lever locks
- Screws available in both UNC 4-40 and M3 thread options
- Metal and plastic dust caps

### BENEFITS

- Supports cable connection and prevents risks of pulling up and accidental mismatching
- Suitable for different connector pin configurations including high density series
- Suitable for EMI/RFI shielding
- Assures secure connection with required strain relief
- Supports various customization need
- Ensures secure and reliable connection
- Ensures connector intermateability
- Safeguards connector from dust and dirt when kept in unmated condition



## D-SUBMINIATURE (D-SUB) ACCESSORIES

# TECHNICAL INFORMATION

## TARGET MARKETS/APPLICATIONS



Asymmetric Digital Subscriber Line (ADSL)  
Base Station  
Switching  
Transmission



Set-top Box



Desktop and Laptop  
Storage System  
Router and Server



Automotive Diagnostics  
Control Drives  
Energy Meter  
Gaming Machine  
Test Equipment  
Office Automation  
POS & Handheld terminal  
Power Supplies  
Parking Meter  
Printer and Copier  
Renewable Energy  
Robotics  
Surveillance Camera  
Avionics



Medical Instrument



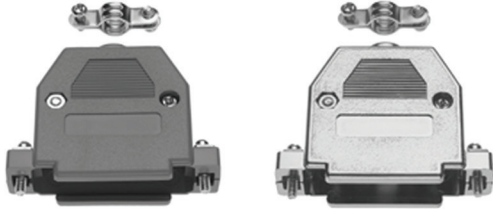
Military Equipment

### Disclaimer

## ► D-SUBMINIATURE (D-SUB) ACCESSORIES

### D-SUB – HOODS

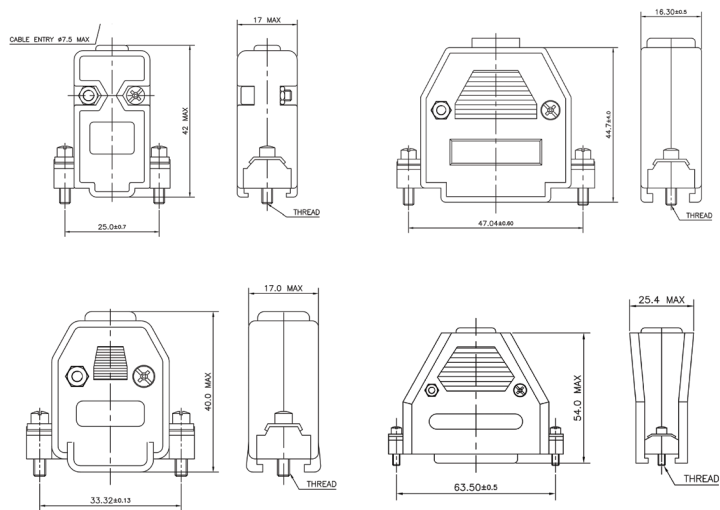
#### 1 • STRAIGHT EXIT PLASTIC AND METALIZED HOOD WITH INTEGRATED LOCKING – ECONOMICAL SERIES



- Material: Self extinguishing UL 94 HB Thermoplastic
- Color: Grey/Metalized
- Temperature Range: -55°C +85°C
- Locking Screws: UNC 4-40 thread

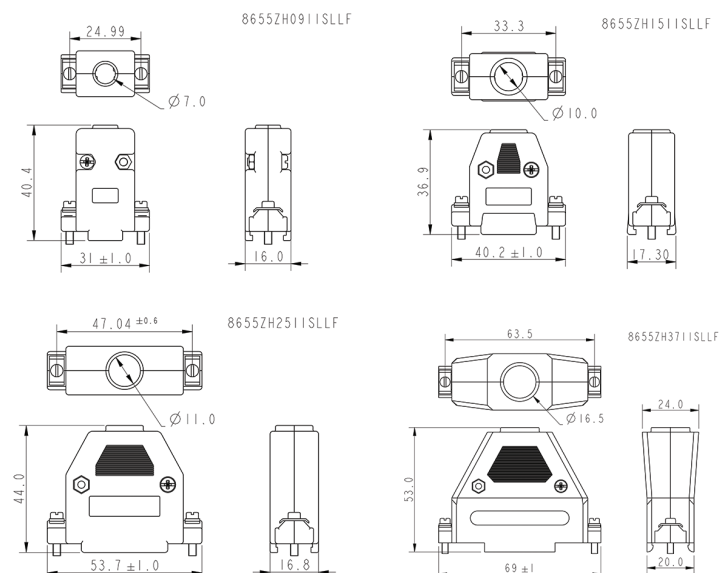
#### STRAIGHT EXIT HOOD-PLASTIC

| Description           | Part Numbers  |
|-----------------------|---------------|
| Screw Thread UNC 4-40 | 8630CH09UNCLF |
|                       | 8630CH15UNCLF |
|                       | 8630CH25UNCLF |
|                       | 8630CH37UNCLF |
| Screw Thread M3       | 8630CH09M3LF  |
|                       | 8630CH15M3LF  |
|                       | 8630CH25M3LF  |
|                       | 8630CH37M3LF  |



#### STRAIGHT EXIT HOOD-METALIZED

| Description           | Part Numbers   |
|-----------------------|----------------|
| Screw Thread UNC 4-40 | 8655ZH0911SLLF |
|                       | 8655ZH1511SLLF |
|                       | 8655ZH2511SLLF |
|                       | 8655ZH3711SLLF |



## ► D-SUBMINIATURE (D-SUB) ACCESSORIES

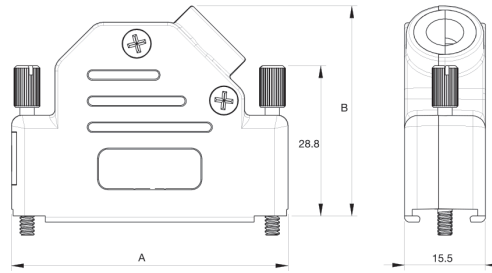
### 2 • ANGLE EXIT PLASTIC HOOD FOR CABLE



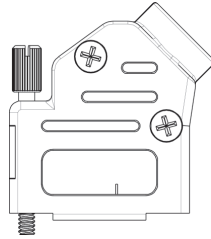
| Shell Size | Part Numbers   | A    | B    | Cable Diameter |
|------------|----------------|------|------|----------------|
| E (9)      | 8655PHRA0901LF | 31.0 | 36.2 | 4 to 13mm      |
| A (15)     | 8655PHRA1501LF | 39.5 | 40.2 |                |
| B (25)     | 8655PHRA2501LF | 53.0 | 40.2 |                |
| C (37)     | 8655PHRA3701LF | 69.5 | 40.2 |                |

All dimensions in mm.

Size A,B,C

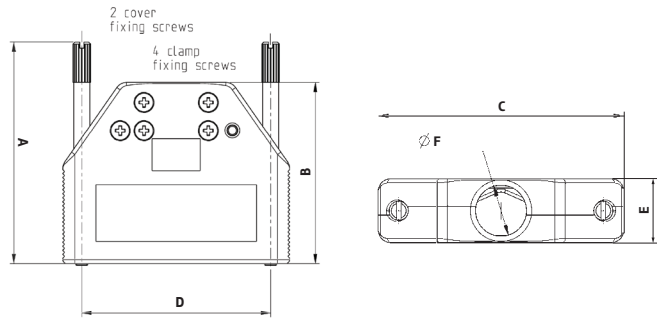
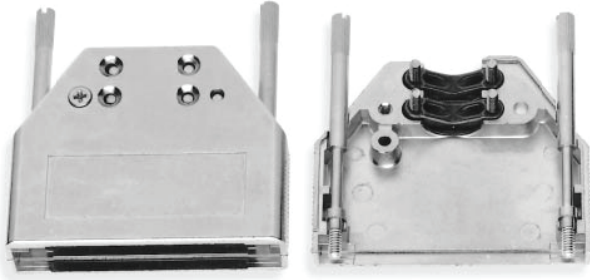


Size E



- Hoods available in Plastic, Metalized and Metallic form
- Cable Strain Relief: Steel fibre reinforced polycarbonate UL94V-0
- Color: Black
- Temperature Range: -40°C +120°C
- Packaging: Bulk, in box of 100 pieces
- Locking Screws: UNC 4-40 thread

### 3 • STRAIGHT EXIT METAL HOOD WITH TWO METAL CLAMPS FOR CABLE EMI/RFI



| Shell Size | Part Numbers (in bulk) | Packaging | Part Numbers (in individual set) | Packaging | A $\pm$ 0.1 | B $\pm$ 0.5 | C $\pm$ 0.1 | D $\pm$ 0.1 | E $\pm$ 0.2 | F max. |
|------------|------------------------|-----------|----------------------------------|-----------|-------------|-------------|-------------|-------------|-------------|--------|
| E (9)      | 8655MH0901LF           | 80        | 8655MH0911LF                     | 50        | 55.00       | 45.00       | 34.40       | 24.99       | 14.70       | 7.85   |
| A (15)     | 8655MH1501LF           | 80        | 8655MH1511LF                     | 50        | 55.00       | 45.00       | 42.70       | 33.32       | 14.70       | 11.80  |
| B (25)     | 8655MH2501LF           | 60        | 8655MH2511LF                     | 50        | 55.00       | 45.00       | 56.70       | 47.04       | 14.70       | 11.80  |
| C (37)     | 8655MH3701LF           | 40        | 8655MH3711LF                     | 50        | 55.00       | 45.00       | 72.95       | 63.50       | 14.70       | 11.80  |
| D (50)     | 8655MH5001LF           | 40        | 8655MH5011LF                     | 50        | 55.00       | 45.00       | 70.60       | 61.11       | 14.70       | 14.10  |

- Material: Zamack
- Plating: Nickel
- Environment: Frequencies at 100Mz > 40dB
- Corrosion Resistance: 50 Hours exposure to salt spray

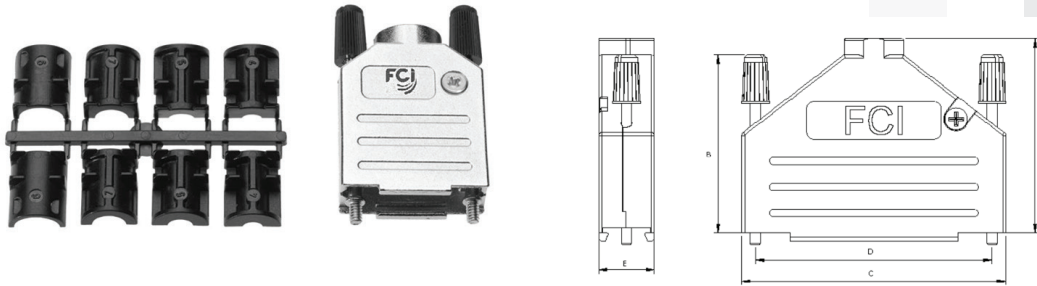
For more information,  
please contact: [Communications@fci.com](mailto:Communications@fci.com)  
or visit us at [www.fci.com](http://www.fci.com)

#### Disclaimer

Please note that the above information is subject to change without notice.

## ► D-SUBMINIATURE (D-SUB) ACCESSORIES

### 4 • STRAIGHT EXIT METAL HOOD FOR CABLE EMI/RFI – ECONOMICAL SERIES



| Shell Size | Part Numbers in bulk | A    | B    | C    | D     | E    |
|------------|----------------------|------|------|------|-------|------|
| E          | 8655MH0901BLF        | 38.3 | 47.3 | 31   | 24.99 | 14.6 |
| A          | 8655MH1501BLF        | 40.5 | 47.3 | 39.5 | 33.32 | 14.6 |
| B          | 8655MH2501BLF        | 47.3 | 47.3 | 53.2 | 47.04 | 14.6 |
| C          | 8655MH3701BLF        | 52.2 | 47.3 | 70.9 | 63.5  | 15   |

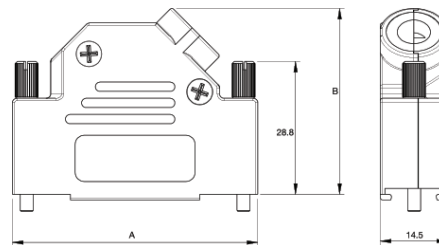
- Material: Zamack, nickel plated
- Cable Strain Relief: Steel fiber reinforced polycarbonate
- UL94V-0 for EMI/RFI screening
- Temperature Range: -40°C +120°C
- Environment: >40dB between 30MHz and 1GHz
- Packaging: Bulk, in box of 100 pieces
- Locking Screws: UNC 4-40 thread

### 5 • ANGLE EXIT METAL HOOD FOR CABLE EMI/RFI – ECONOMICAL SERIES

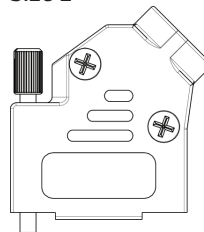


| Shell Size | Part Numbers   | A    | B    | Cable Diameter |
|------------|----------------|------|------|----------------|
| E (9)      | 8655MHRA0901LF | 31.0 | 36.2 | 4 to 13 mm     |
| A (15)     | 8655MHRA1501LF | 39.5 | 40.2 |                |
| B (25)     | 8655MHRA2501LF | 53.2 | 40.2 |                |
| C (37)     | 8655MHRA3701LF | 69.7 | 40.2 |                |
| D (50)     | 8655MHRA5001LF | 67.2 | 43.7 | 10 to 16 mm    |

Size A,B,C



Size E



- Material: Zamack, Nickel plated
- Cable Strain Relief: Steel fibre reinforced polycarbonate
- UL94V-0 for EMI/RFI screening
- Temperature Range: -40°C +120°C
- Environment: >40 dB between 30MHz and 1GHz
- Packaging: Bulk, in box of 100 pieces
- Locking Screws: UNC 4-40 thread

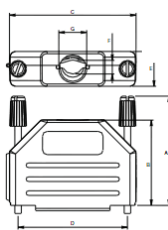
#### Disclaimer

## ▶ D-SUBMINIATURE (D-SUB) ACCESSORIES

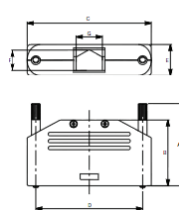
### 6 • “SNAP TOGETHER” PLASTIC HOOD



Size E, A,B,C



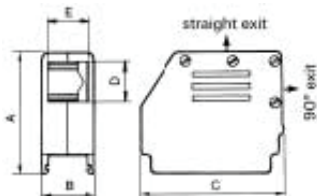
Size D



| Shell Size | Part Numbers | A    | B    | C    | D     | E  | With Clamp |      |      | Without Clamp |     |
|------------|--------------|------|------|------|-------|----|------------|------|------|---------------|-----|
|            |              |      |      |      |       |    | F          |      | G    | F             | G   |
|            |              |      |      |      |       |    | min.       | max. |      |               |     |
| E (9)      | 86303637BLF  | 31.0 | 36.2 | 32.4 | 24.99 | 15 | 1          | 5.5  | 8.5  | 7             | 8.5 |
| A (15)     | 86303638BLF  | 39.5 | 40.2 | 40.7 | 33.32 | 15 | 4          | 7    | 12   | 11            | 12  |
| B (25)     | 86303639BLF  | 53.2 | 40.2 | 54.4 | 47.04 | 15 | 4          | 7    | 12   | 11            | 12  |
| C (37)     | 86303640BLF  | 69.7 | 40.2 | 70.9 | 63.5  | 15 | 4          | 7    | 12   | 11            | 12  |
| D (50)     | 86303641CLF  | 67.2 | 43.7 | 71.2 | 61.11 | 15 | 4          | 11.5 | 15.5 | 14            | 18  |

- Material: Zamack, nickel plated
- Material (size D): Thermoplastic (UL94V-2)
- Color: Black
- Temperature Range: -40°C +95°C
- Packaging: Individual sets
- Locking Screws: UNC 4-40 thread

### 7 • UNIVERSAL PLASTIC HOOD WITH METAL CLAMP FOR STRAIN RELIEF



| Shell Size | Part Numbers (Black Hood) | Part Numbers (Metalized Hood) | A     | B     | C     | With Clamp |      |       | Without Clamp |       |
|------------|---------------------------|-------------------------------|-------|-------|-------|------------|------|-------|---------------|-------|
|            |                           |                               |       |       |       | D          | E    |       | D             | E     |
|            |                           |                               |       |       |       |            | min. | max.  |               |       |
| E          | 863093C09ALF              | 863093C09MLF                  | 29.75 | 15.50 | 24.25 | 6          | 1.90 | 0.10  | 8             | 11.50 |
| A          | 863093C15ALF              | 863093C15MLF                  | 29.75 | 15.50 | 32.50 | 6          | 1.90 | 0.10  | 8             | 11.50 |
| B          | 863093C25ALF              | 863093C25MLF                  | 46.50 | 15.50 | 46.00 | 13.50      | 2.60 | 0.10  | 16            | 11.50 |
| C          | 863093C37ALF              | 863093C37MLF                  | 46.50 | 15.50 | 60.50 | 13.50      | 2.60 | 0.10  | 16            | 11.50 |
| D          | 863093C50ALF              | 863093C50MLF                  | 46.50 | 18.00 | 56.50 | 15.50      | 4.40 | 12.60 | 18            | 14.00 |

- Material (black hood): Self-extinguishing
- UL94V-0 thermoplastic
- Material (metalized): Thermoplastic
- Temperature Range: -55°C +125°C
- Packaging: Individual sets

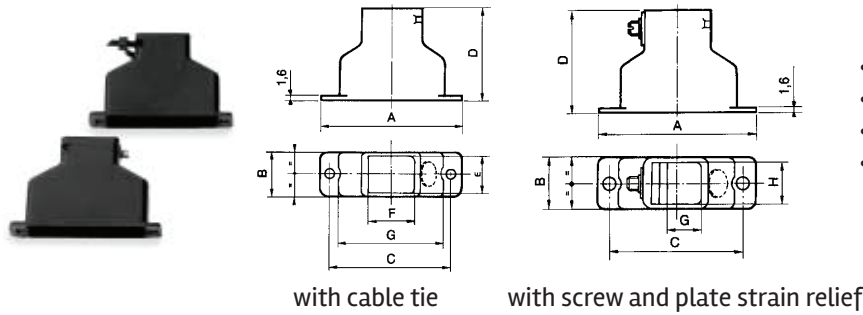
All dimensions in mm.

#### Disclaimer

Please note that the above information is subject to change without notice.

## MONOBLOC PLASTIC HOODS FOR POTTING

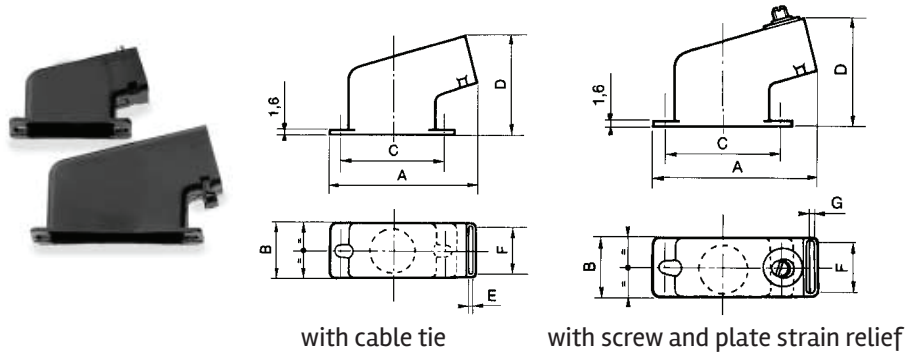
### 8 • STRAIGHT EXIT



- Material: Self-extinguishing
- UL rated 94V-0 thermoplastic
- Temperature range : -55°C to +105°C
- Color: Black

| Shell Size | Part Numbers        |                           | A     | B     | C     | D     | E     | F     | G    |       | H     |
|------------|---------------------|---------------------------|-------|-------|-------|-------|-------|-------|------|-------|-------|
|            | Hood with cable tie | Hood with screw and plate |       |       |       |       |       |       | min. | max.  |       |
| E          | 863086BLF           | 86303920ALF               | 30.60 | 12.50 | 25.00 | 29.00 | 9.90  | 9.90  | 2.70 | 7.10  | 10.50 |
| A          | 863021BLF           | 86303921ALF               | 38.90 | 12.50 | 33.32 | 29.00 | 9.90  | 11.90 | 4.50 | 9.10  | 10.50 |
| B          | 863022BLF           | 86303922ALF               | 52.80 | 12.50 | 47.05 | 35.00 | 9.90  | 16.40 | 9.20 | 13.60 | 10.50 |
| C          | 863023BLF           | 86303923ALF               | 69.10 | 12.50 | 63.50 | 41.00 | 9.90  | 23.40 | 9.20 | 20.60 | 10.50 |
| D          | 863024BLF           | 86303924ALF               | 66.70 | 15.30 | 61.10 | 41.00 | 12.70 | 23.40 | 9.20 | 20.60 | 13.30 |

### 9 • RIGHT ANGLE EXIT



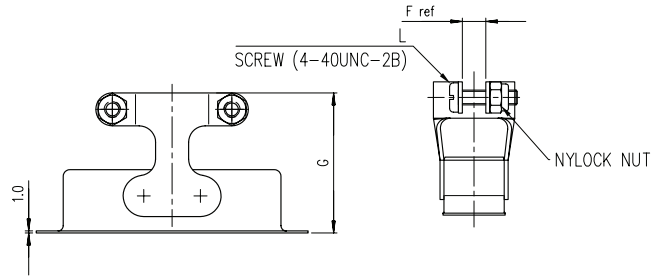
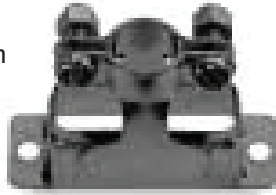
| Shell Size | Part Numbers        |                           | A     | B     | C     | D     | E     | F     | G    |       |
|------------|---------------------|---------------------------|-------|-------|-------|-------|-------|-------|------|-------|
|            | Hood with cable tie | Hood with screw and plate |       |       |       |       |       |       | min. | max.  |
| E          | 86305002BLF         | 86303925ALF               | 30.60 | 12.50 | 25.00 | 26.20 | 10.50 | 10.50 | 2.70 | 7.10  |
| A          | 863026BLF           | 86303926ALF               | 38.90 | 12.50 | 33.32 | 28.60 | 12.50 | 10.50 | 4.50 | 9.10  |
| B          | 863027BLF           | 86303927ALF               | 52.80 | 12.50 | 47.05 | 36.40 | 17.00 | 10.50 | 9.20 | 13.60 |
| C          | 863028BLF           | 86303928ALF               | 69.10 | 12.50 | 63.50 | 42.60 | 24.00 | 10.50 | 9.20 | 20.60 |
| D          | 863029BLF           | 86303929ALF               | 66.70 | 15.30 | 61.10 | 41.00 | 24.00 | 13.30 | 9.20 | 20.60 |

## ► D-SUBMINIATURE (D-SUB) ACCESSORIES

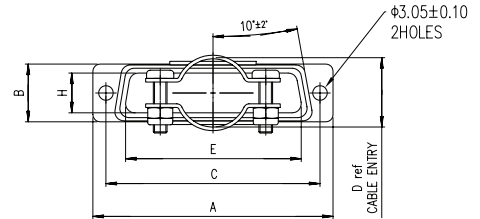
### HOOD WITH CABLE CLAMPS

#### 10 • METAL HOOD WITH CIRCULAR CLAMP AND STRAIGHT EXIT

- Material: Steel
- Plating: Yellow chromate cadmium
- Corrosion Resistance:
- 50 hours exposure to salt spray



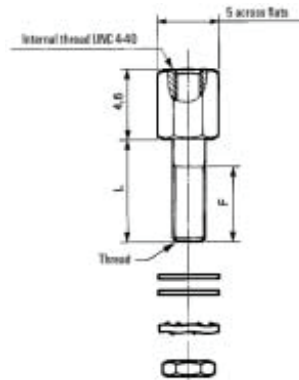
| Shell Size | Part Numbers | A ± 0.38 | B ± 0.38 | C ± 0.13 | D ref | E ± 0.38 | F ref | G ± 0.76 | H ± 0.38 | L ± 0.80 |
|------------|--------------|----------|----------|----------|-------|----------|-------|----------|----------|----------|
| E          | 863010A      | 30.68    | 12.70    | 25.00    | 10.31 | 16.79    | 3.18  | 26.19    | 8.74     | 9.53     |
| A          | 863011A      | 38.89    | 12.70    | 33.30    | 10.31 | 25.00    | 3.18  | 26.19    | 8.74     | 9.53     |
| B          | 863012A      | 52.78    | 12.70    | 47.04    | 15.06 | 38.48    | 4.75  | 27.08    | 8.74     | 9.53     |
| C          | 863013A      | 69.04    | 12.70    | 63.50    | 18.25 | 55.14    | 6.35  | 27.08    | 8.74     | 12.70    |
| D          | 863014A      | 66.68    | 15.47    | 61.12    | 20.62 | 53.16    | 7.93  | 27.08    | 11.13    | 15.88    |



#### 11 • FEMALE SCREW LOCKS

| Thread   | L.Max | F     | Material | Part Numbers |
|----------|-------|-------|----------|--------------|
| M3       | 8.30  | 6.90  | Brass    | 863001TLF    |
| M3       | 8.30  | 6.90  | Steel    | 86552153TLF  |
| M3       | 6.30  | 5.00  | Brass    | 863001017TLF |
| M3       | 13.00 | 12.00 | Brass    | 863001061TLF |
| UNC 4-40 | 8.30  | 6.90  | Brass    | 863001060TLF |

- Plating: Bright tin
- Corrosion Resistance: 24 hours exposure to salt spray



#### 12 • SPECIFIC FEMALE SCREW LOCKS FOR DELTA D SERIES

| Thread   | L.Max | F   | Material | Part Numbers |
|----------|-------|-----|----------|--------------|
| M3       | 4.5   | 3.7 | Steel    | 863001018TLF |
| UNC 4-40 | 4.5   | 3.7 | Steel    | 863001019TLF |

| Material | Torque Max. (Nm) |
|----------|------------------|
| Brass    | 0.5              |
| Steel    | 0.7              |



## ► D-SUBMINIATURE (D-SUB) ACCESSORIES

### 13 • MALE SCREW LOCKS

For use with connector without hood or with hood 7

For use with connector with hoods 10

For use with connector with hoods 8

| Shell Size | Connector Type | Part Numbers |            |            |
|------------|----------------|--------------|------------|------------|
| E          | Male           | 863005ATLF   | 863004ATLF | 863009ATLF |
|            | Female         |              |            |            |
| A          | Male           |              |            |            |
|            | Female         |              |            |            |
| B          | Male           |              |            |            |
|            | Female         |              |            |            |
| C          | Male           | 863008ATLF   |            |            |
|            | Female         | 863005ATLF   |            |            |
| D          | Male           | 863015ATLF   | 863002ATLF | 863025ATLF |
|            | Female         | 863003ATLF   |            |            |



- Material: Steel
- Plating: Bright tin
- Corrosion Resistance: 50 hours exposure to salt spray
- To obtain military plating (yellow chromate cadmium) exclude «TLF» in the part number (ex: 863005A)
- Thread: UNC 4-40

## LOCKING DEVICES

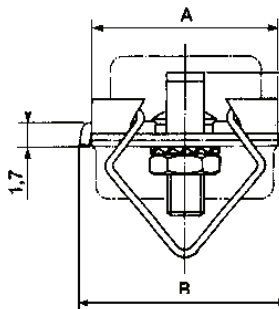
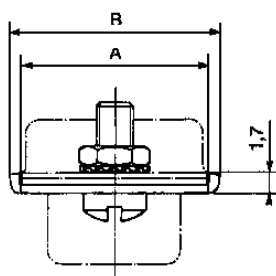
### 14 • LEVER LOCKS



Female



Male



| Shell Size | A     | B     | M3 Thread  |            | UNC 4-40 Thread |            |
|------------|-------|-------|------------|------------|-----------------|------------|
|            |       |       | Female     | Male       | Female          | Male       |
| E, A, B, C | 12.50 | 14.30 | 86303425LF | 86552096LF | 86303425060LF   | 86552098LF |
| D          | 15.30 | 17.10 | 86303426LF | 86552097LF | 86303426060LF   | 86552099LF |

- Material: Steel
- Plating: Passivated

#### Disclaimer

## ► D-SUBMINIATURE (D-SUB) ACCESSORIES

### CAPS

#### 15 • METAL CAPS

| Shell size | Connector Type Compatibility | Part Numbers | Diameter |
|------------|------------------------------|--------------|----------|
| E          | Male                         | 86553148TLF  | 30       |
|            | Female                       | 86553113TLF  | 30       |
|            |                              | 86553138TLF* | 30       |
| A          | Male                         | 86553149TLF  | 25       |
|            | Female                       | 86553114TLF  | 25       |
|            |                              | 86553139TLF* | 25       |
| B          | Male                         | 86553150TLF  | 20       |
|            | Female                       | 86553115TLF  | 20       |
|            |                              | 86553140TLF* | 20       |
| C          | Male                         | 86553151TLF  | 15       |
|            | Female                       | 86553116TLF  | 15       |
|            |                              | 86553141TLF* | 15       |
| D          | Male                         | 86553152TLF  | 10       |
|            | Female                       | 86553117TLF  | 10       |
|            |                              | 86553142TLF* | 10       |



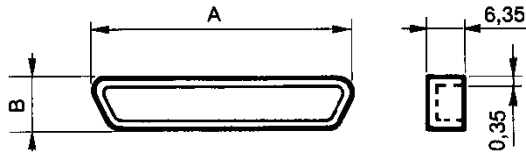
- Material: Steel
- Plating: Bright tin
- Corrosion Resistance: To obtain military plating (yellow chromate cadmium) exclude "TLF" in part number (ex : 86553148A)

#### 16 • ATTACHING CORD FOR METAL CAPS

86553156LF (Length = 100 mm)  
Packaging: Individual



#### 17 • PLASTIC DUST CAPS



| Shell size | For male connector | A     | B     | For female connector | A     | B     |
|------------|--------------------|-------|-------|----------------------|-------|-------|
| E          | 70518BLF           | 19.17 | 10.30 | 70523BLF             | 17.77 | 9.0   |
| A          | 70519BLF           | 27.50 | 10.30 | 70524BLF             | 26.10 | 9.0   |
| B          | 70520BLF           | 41.67 | 10.70 | 70525BLF             | 39.82 | 9.0   |
| C          | 70521BLF           | 58.13 | 10.70 | 70526BLF             | 56.28 | 9.0   |
| D          | 70522BLF           | 55.49 | 13.40 | 70527BLF             | 53.89 | 11.85 |

- Material: Thermoplastic
- Color: Black  
(For Red, please contact AFCI sales representative)

#### Disclaimer

## ▶ D-SUBMINIATURE (D-SUB) ACCESSORIES

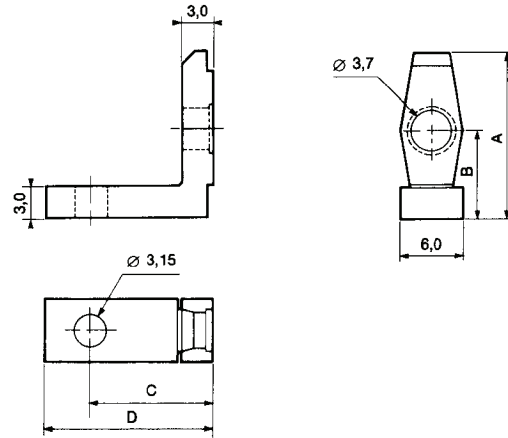
### LOCKING DEVICES

Plastic mounting brackets are normally supplied with angled spill D-Sub connectors series D, DP, DM and DMW. However, both plastic and metal brackets can be ordered separately, using the part numbers listed below. These brackets are supplied with a screw and a nut. Order two assemblies for each connector.

#### 18 • PLASTIC BRACKETS

| Shell Size | Part Numbers | A     | B    | C     | D     |
|------------|--------------|-------|------|-------|-------|
| E, A, B, C | 86303714LF   | 13.20 | 7.20 | 10.74 | 13.90 |

- Material: UL rated 94V0 thermoplastic



## X-ON Electronics

Largest Supplier of Electrical and Electronic Components

*Click to view similar products for [Power to the Board](#) category:*

*Click to view products by [Amphenol](#) manufacturer:*

Other Similar products are found below :

[6450171-4](#) [6450552-7](#) [6600323-8](#) [6643429-1](#) [6646040-2](#) [6651939-1](#) [6766604-1](#) [120959-1](#) [1393557-2](#) [1393532-2](#) [1393532-3](#) [1393532-4](#)  
[1393557-1](#) [1600812-5](#) [1-6450861-2](#) [1744132-7](#) [1761122-1](#) [1766250-1](#) [1892109-1](#) [2-6450860-5](#) [2-6450870-0](#) [1-6450161-4](#) [1-6450850-6](#) [1-](#)  
[6450869-6](#) [1645526-2](#) [1-6600130-0](#) [2005243-2](#) [TE34-12-16P-F0](#) [5-6450830-6](#) [5646956-4](#) [4-6450830-9](#) [4-6600333-3](#) [10125416-4050LF](#)  
[6600320-3](#) [3-6450860-5](#) [1888123-2](#) [6450166-1](#) [6643978-1](#) [6766605-1](#) [N11444](#) [6651938-1](#) [6450810-7](#) [46437-1112](#) [1-1589677-8](#) [5646956-5](#)  
[6450813-2](#) [6450129-4](#) [1645523-1](#) [PSS-06-01-T-S](#) [0465621864](#)