

DIMENSION TABLE

SL No,	AFCI P/N	SHELL SIZE	A±0.38	B±0.38	C±0.13	D ref	E±0.38	F ref	G±0.76	H±0.38	L±0.80
1	863010ALF	E	30.68	12.7	25.0	10.31	16.79	3.18	26.19	8.74	9.53
2	863011ALF	A	38.89	12.7	33.30	10.31	25.00	3.18	26.19	8.74	9.53
3	863012ALF	B	52.78	12.7	47.04	15.06	38.48	4.75	27.08	8.74	9.53
4	863013ALF	C	69.04	12.7	63.50	18.25	55.14	6.35	27.08	8.74	12.7
5	863014ALF	D	66.68	15.47	61.12	20.62	53.16	7.93	27.08	11.13	15.88

NOTES:

1.MATERIAL

SHELL - STEEL

CLAMP - STEEL

SCREW - SS 303 OR 304

NYLOCK NUT - SS 303 OR 304

2.FINISH

NICKEL PLATING.

3.PART SUPPLIED IN UNASSEMBLED FORM

4.MARKING FOR PART NUMBERS :

- MARKING ON THE HOOD -AFCI PART NUMBER

+ AFCI, YEAR AND WEEK CODE(eg:-863010ALF AFCI 17 20).

5.PACKING:

- INDIVIDUAL COVER.

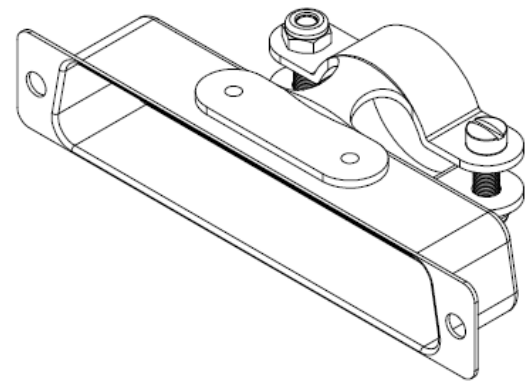
LOCATION FOR AFCI PRINTING

SCREW (4-40UNC-2B)

NYLOCK NUT

φ3.05±0.10
2HOLES

D ref
CABLE ENTRY



mat'l. code SEE NOTES				surface ISO 1302 ✓		tolerance ISO 406 ISO 1101		projection mm		product family D-SUB	
ltr ecn no dr date				tolerances unless otherwise specified		angles		linear		title METAL HOOD WITH CLAMP STRAIGHT EXIT	
A - GREGAR 2017-30-08						0°±2'				dwg no 10143993	
				dr GREGAR MATHEW 2017-30-08						sheet 1 of 1	
				enr MITHUN PAUL 2017-30-08						size A3	
				chr MITHUN PAUL 2017-30-08						type Product - Customer Drawing	
				appd BIJU K PAUL 2017-30-08							
sheet index		revision sheet		A 1							

X-ON Electronics

Largest Supplier of Electrical and Electronic Components

Click to view similar products for [D-Sub Standard Connectors](#) category:

Click to view products by [Amphenol](#) manufacturer:

Other Similar products are found below :

[56F706-005-LI](#) [56F711-015](#) [LV242999-142T12](#) [015-0341-000](#) [015-0372-005](#) [015-0372-008](#) [015-8755-001](#) [020419-0104](#) [012-0467-000](#)
[012-9507-034](#) [012-9507-114](#) [020745-0008](#) [609-25P](#) [CT2-18-11PCAU](#) [CT6-10SL-3SC](#) [CT6-10SL-4SC](#) [CT6-14S-2SC](#) [CT6E14SA7SC](#)
[CT6N10SL-4SSA34](#) [M83513/01-FC](#) [M83723/76W24619 L/C](#) [M85049/48-3-2F](#) [6STD09PCM99B70X](#) [6STD09SCM99B30X](#)
[6STD09SCT99S40X](#) [6STD15PCT99S40X](#) [6STD15SCT99S40X](#) [6STF09PCM05B70X](#) [7-135760-9](#) [MC11E-10-6SN](#) [747552-3](#) [MD1-21PS](#)
[MDM-15SCBRM7-F222](#) [MDM96517-699](#) [MDM96521-744](#) [MDVB1-21SL1](#) [MIK0-1-7SH003](#) [MIKQ6-7SH076](#) [MIKQ7-7PH077](#) [MIKQ7-](#)
[7PH11](#) [MIKQ7-7PH32](#) [MJSV-28SL61](#) [MKJ4A1F14-55S](#) [8-135760-3](#) [8STD09PCM99B30X](#) [PG-KV/PV-16-GROM-SEALING](#) [GDA15P](#)
[GDAY15PB](#) [980-0000-170](#) [980-0000-171](#)