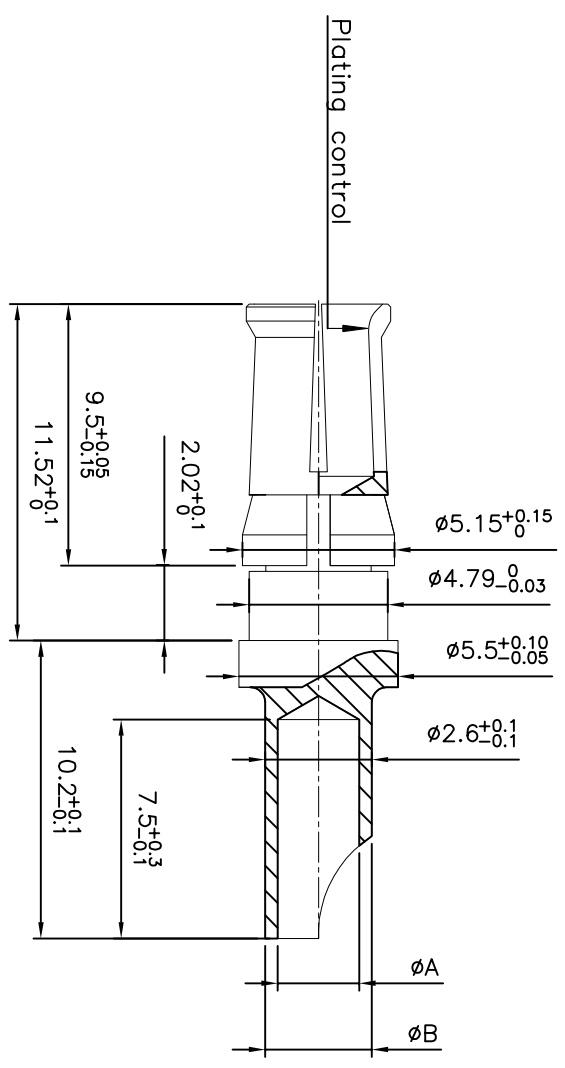


CONTACT PLATING : gold 0.40 μ over nickel 1 μ .



8630-3099NLF	Power contact (AWG 8)	4.40	5.00	3.90	8.98
8630-3057NLF	Power contact (AWG 12)	2.80	3.65	2.40	3.18
8630-3061NLF	Power contact (AWG 14)	2.10	3.00	1.70	1.91
8630-3065NLF	Power contact (AWG 16)	1.70	2.60	1.50	1.34
PART NUMBER	Designation	ϕA	ϕB	ϕ ome mm	Section mm ²

NOTE:ROHS INFORMATIONS

- The "LF" product meets European union Directives and other country regulations as described in GS-22-008.
- The product is not intended to be exposed to a manufacturing solder process.
- Packaging spec: see GS-14-920.

mat'l. code		surface		tolerance		projection		product family	
lfr	ecn no	dr	date	ISO 1302	ISO 406	ISO 1001		D-SUB	
A	LS08-0022	MPE	2006/06/11	tolerances unless otherwise specified				POWER CONTACT (taille 8)	
B	LS08-0095	LCO	2006/06/23	angles	0.xx	± 0.1		removable contact	
C	F-27591	ALA	2017/07/31	linear	0.xxx	± 0.1		Customer Drawing	
sheet		revision		engr		M.PESSON		sheet 1 of 1	
Index		sheet		chf		LEGARRE		size	
		1		LEGARRE		2006/06/11		A3	

X-ON Electronics

Largest Supplier of Electrical and Electronic Components

Click to view similar products for [D-Sub Contacts](#) category:

Click to view products by [Amphenol](#) manufacturer:

Other Similar products are found below :

[173112-0723](#) [173112-0393](#) [173112-0389](#) [173112-0750](#) [173112-0912](#) [FMP009P104](#) [FMP010P104](#) [FMP010S104](#) [FMP016P104](#)
[FMP016S104](#) [FMP051S110](#) [FMX006S128B](#) [124C25029X](#) [131A11039X](#) [132A11019X](#) [132J22039X](#) [132A11029X](#) [132A12059X](#)
[132C12029X](#) [RMPIR01S02E2RLF](#) [DM53744-1](#) [1757912-1](#) [188582-000](#) [162A11839X](#) [162A11889X](#) [1757913-1](#) [FK20S18-02V_100](#)
[FMP006S110](#) [FMP009S104](#) [FMP139S115](#) [212558-1](#) [D02-22-26P-10000](#) [L17DM53744217](#) [D-610-10CS2820](#) [030-1955-000](#) [030-50634](#)
[053744-0098](#) [053744-0099](#) [053745-0105](#) [053745-0111](#) [601064N004](#) [601098N003](#) [6-745288-2](#) [D-610-10CS2962](#) [86303057NLF](#)
[DM537425001NCLF](#) [131A11019X](#) [173112-0045](#) [162A11819X](#) [1731120397](#)