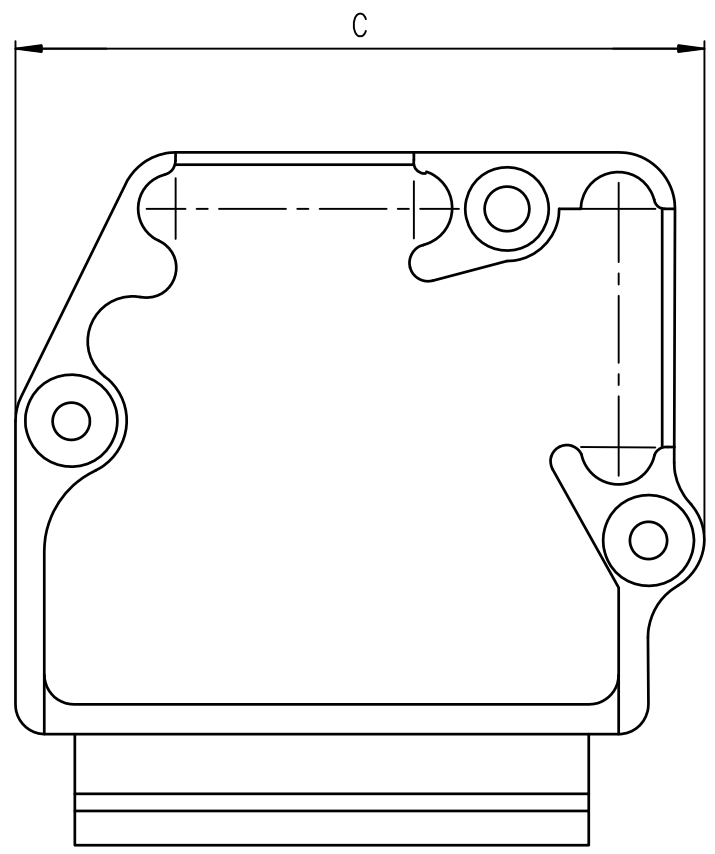
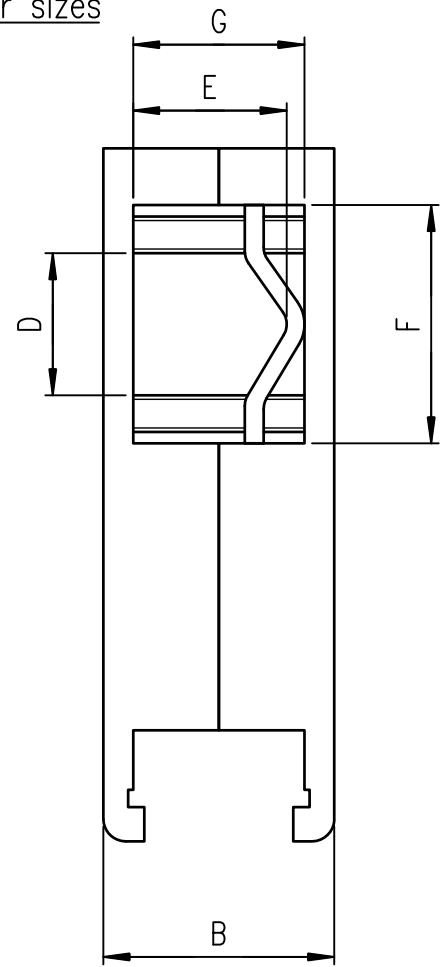
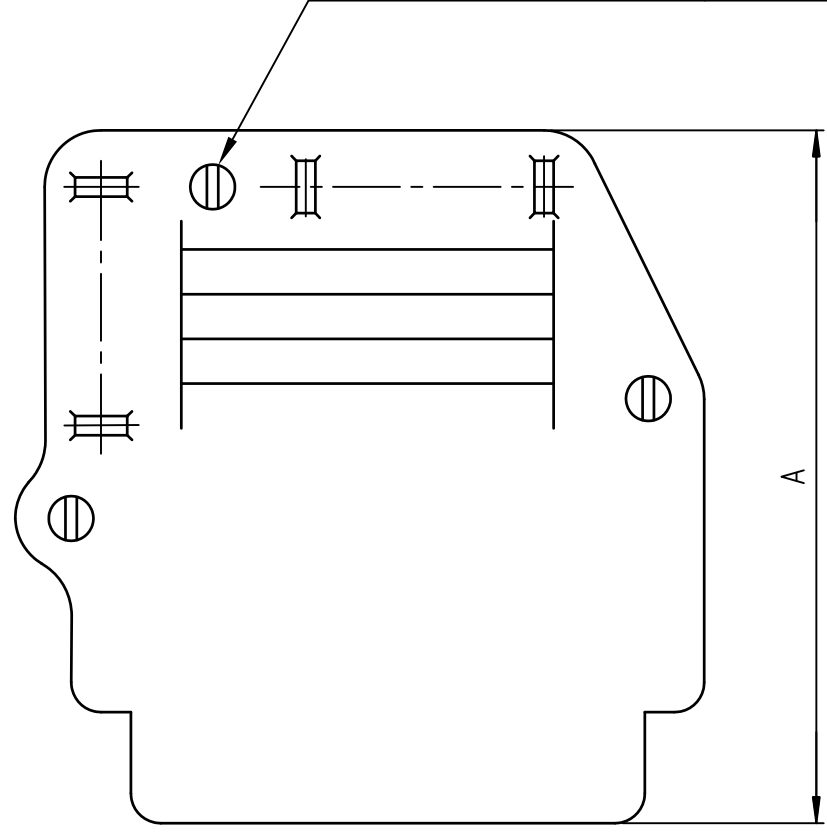


2 Screws for sizes 9&15, 3 for other sizes



MATERIAL:
thermoplastic

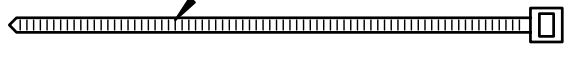
TEMPERATURE RANGE:
- Climatic category -55°/ +95°

PACKAGING:
Box of 50 individual sets



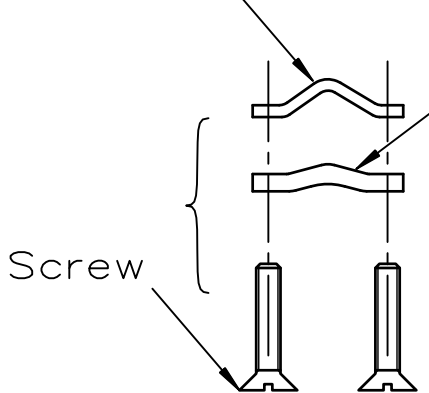
FCIconnect.com

Tie-Wrap



CLAMP FOR SIZES 25, 37 & 50

CLAMP FOR SIZES 9 & 15



Bill of material		
components	Hood kit	Kit for 2 exit use
1/2 Hood	2	0
Screw	2	2
Tapping Screw	3	0
Tie Wrap	1	1
Clamp	1	1

Shell size	Number of contacts	A±0.3	B±0.3	C±0.3	With clamp		Without clamp		PART NUMBER		
					D±0.2	E		F±0.5	G±0.5	Black hood	Kit for 2 exit use *
						mini	maxi				
E	09	29.80	15.50	24.25	6.00	0.25	10.30	8.00	11.70	863093C09ALF	863093CEALF
A	15	29.80	15.50	32.50	6.00	0.25	10.30	8.00	11.70	863093C15ALF	
B	25	46.80	15.50	46.00	13.90	2.30	10.30	16.20	11.70	863093C25ALF	863093CBCLF
C	37	46.80	15.50	60.50	13.90	2.30	10.30	16.20	11.70	863093C37ALF	
D	50	48.80	18.00	56.50	15.60	3.90	12.60	18.00	14.00	863093C50ALF	863093CDLF

Dimensions are in millimeters

* additional accessories to be ordered separately

NOTE: RoHS INFORMATIONS

- The "LF" product meets European union Directives and other country regulations as described in GS-47-0004.
- The product is not intended to be exposed to a manufacturing solder process.
- Packaging spec: see GS-14-920.

mat'l. code		surface		tolerance		projection		product family	
-		ISO 1302 ✓		ISO 406 ISO 1101				D-SUB	
ltr		ecn no		dr		date		title	
H		ELX-I-15087		MP		2013/06/27		UNIVERSAL PLASTIC HOOD	
J		ELX-I-15253		MP		2013/07/16			
-		-		-		-			
D		LS07-0321		MPE		2007/12/19		dwg no	
E		I09-0117		AMR		2009/06/26		sheet 1 of 1	
F		I09-0161		AMR		2009/08/13		size 5	
G		I11-0091		AMR		2011-05-14		A3	
sheet index		revision		J				C01-8655-1617	
1		sheet		1				CUSTOMER Drawing	



X-ON Electronics

Largest Supplier of Electrical and Electronic Components

Click to view similar products for [D-Sub Tools & Hardware](#) category:

Click to view products by [Amphenol](#) manufacturer:

Other Similar products are found below :

[000-01-09-132](#) [000-01-21-132](#) [D20418-148](#) [D20418-2R](#) [D20418-J3F](#) [780-010-06G4-00C](#) [780-518-50SG6-WS](#) [1230032-1](#) [DBMM-21W1S](#)
[15-004670](#) [1-5021101-2](#) [1589283-4](#) [160-015-003R031](#) [160X10909X](#) [164C03939A](#) [1-966830-8](#) [21018-6](#) [21028-2](#) [JS-1000](#) [248C21530X](#)
[212561-3](#) [QLOCKPOST-2](#) [D20419-16](#) [D20419-16JR](#) [500-008NF1K-01](#) [500-008NF3R3KS-01](#) [5-1393561-5](#) [559-001-49](#) [C115373-0001](#)
[C115373-0002](#) [L17D4M68711](#) [DAMMY3W3S](#) [4-1393560-7](#) [XM2Z-0003](#) [500-008B1AD-07](#) [500-008M1G-01](#) [500-008NF2GKE-04](#)
[020420-0086](#) [080-00-00-503](#) [063385](#) [09670019977](#) [572019-00108-70](#) [SF09](#) [SF15](#) [CF50S](#) [799-101780](#) [ICK S 18X18X10](#) [D20418-145](#)
[D20419-121](#) [V42254A6000K115](#)