

1

2

3

4

PLATING ACTIVE ZONE			CHARACTERISTICS					
500 mating/unmating Ni: 2µm 0/+2µm Au: 1.27µm min	500 mating/unmating Cu flash Ni P : 2µm 0/+2µm Au: 0.2µm min (equivalent 0.8µm Au)	200 mating/unmating Cu flash Ni P : 2µm 0/+2µm Au: 0.15µm min (equivalent 0.4 µm Au)	CURRENT max A	AWG WIRE	mm ² AREA	∅A +0 -0.05	∅B +0 -0.05	Clip colour
8638PPC4007LF	8638PPC4006LF	8638PPC4005LF	40	8-10	5-8	4.70	5.50	BLUE
8638PPC3007LF	8638PPC3006LF	8638PPC3005LF	30	9	6	3.75	4.75	WHITE
8638PPC2007LF	8638PPC2006LF	8638PPC2005LF	20	12-14	2-3	2.80	3.70	RED
8638PPC1007LF	8638PPC1006LF	8638PPC1005LF	10	16-18	0.9-1.3	1.80	2.55	BLACK

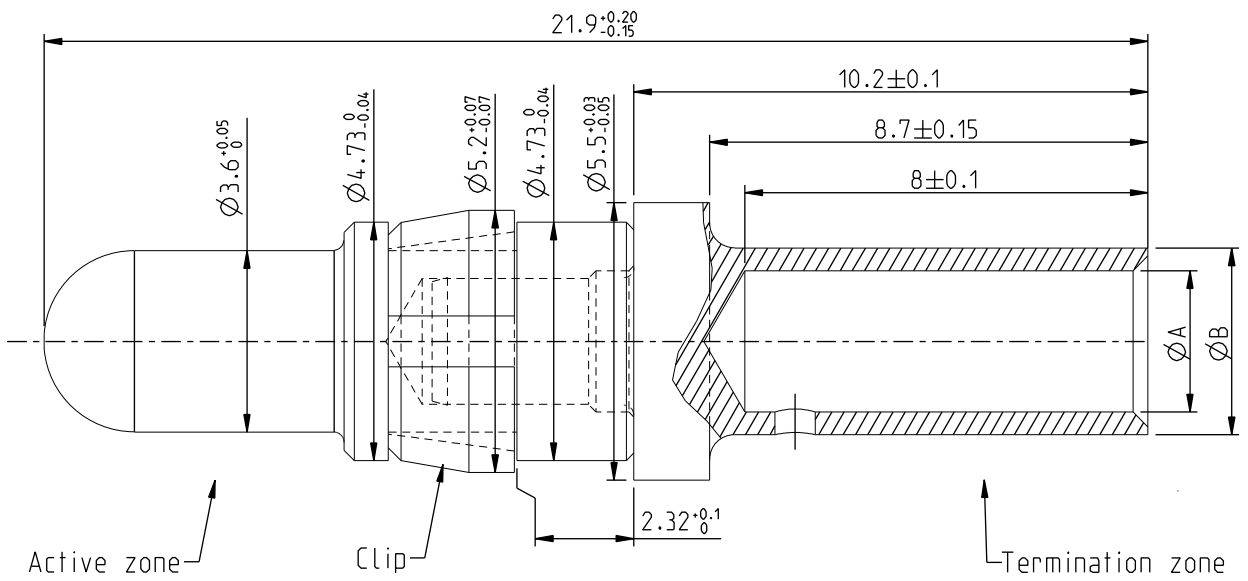
NOTE: RoHS INFORMATIONS
 - The "LF" products meet European union Directives and regulations as described in GS-22-008
 - Termination plating spec: Sn pure matte
 - Packaging spec: see GS-14-920

Materials and finish
 Active zone: CuZn40 Pb3. Plating see table
 Termination zone (crimping sleeve): CuZn40Pb3
 Plating 2µm 0/+2µm Cu - 3µm 0/+3µm Tin pure matte
 Clip : Thermoset plastic

Technical characteristics
 Peak voltage: 750 Veff.
 Operating voltage: 500 Veff.
 Temperature range -55 °C +125 °C
 Packaged per 100
 Current capability : see table

Mechanical characteristics :
 Crimping test: according to MILC39029
 Mechanical endurance: 200 or 500 matings/unmatings (see table).
 Contact insertion force in insulator:
 60N maxi in a hole of 4.80 mm

Examination of product:
 Remove all burrs and sharp edges 0.08 maxi
 No scratch allowed



Mark with		Material		SEE TABLE		Spec ref			
		Mat code				surface -		tolerance	
		Heatreat		-		ISO 1302		405	
		Plating/Finish		SEE TABLE				1101	
Or		JARRY		2002/02/28		Product family		D-sub	
Eng		PESSON		2002/02/28		Model Name		8638PPC200XLF	
Chr		LEGARE		2002/02/28		Model Revision		1	
Appr		LEGARE		2002/02/28		REL Level		CONCEPT	
rev		ecn no		dr		date		size	
N		F10-0076		LSA		2010/07/22		A3	
H		LS06-0097		LGO		2006/07/27		Scale	
J		LS06-0029		MPE		2008/01/28		10:1	
K		F09-0054		LSA		2009/06/10			
L		F10-0031		GPE		2010/04/12			
M		F10-0065		LSA		2010-06-25			
Title		MALE CONTACT				dwg no		C01-8638-0325	
FOR CRIMPED CONNECTION		Pro/E file				catalog no		Customer	
sheet 1 of 1								Rev. N	

1

2

3

4

X-ON Electronics

Largest Supplier of Electrical and Electronic Components

Click to view similar products for [D-Sub Contacts](#) category:

Click to view products by [Amphenol](#) manufacturer:

Other Similar products are found below :

[173112-0723](#) [173112-0393](#) [173112-0389](#) [173112-0750](#) [173112-0912](#) [FMP009P104](#) [FMP010P104](#) [FMP010S104](#) [FMP016P104](#)
[FMP016S104](#) [FMP051S110](#) [FMX006S128B](#) [124C25029X](#) [131A11039X](#) [132A11019X](#) [132J22039X](#) [132A11029X](#) [132A12059X](#)
[132C12029X](#) [RMPIR01S02E2RLF](#) [DM53744-1](#) [1757912-1](#) [188582-000](#) [162A11839X](#) [162A11889X](#) [1757913-1](#) [FK20S18-02V_100](#)
[FMP006S110](#) [FMP009S104](#) [FMP139S115](#) [212558-1](#) [D02-22-26P-10000](#) [L17DM53744217](#) [D-610-10CS2820](#) [030-1955-000](#) [030-50634](#)
[053744-0098](#) [053744-0099](#) [053745-0105](#) [053745-0111](#) [601064N004](#) [601098N003](#) [6-745288-2](#) [D-610-10CS2962](#) [86303057NLF](#)
[DM537425001NCLF](#) [131A11019X](#) [173112-0045](#) [162A11819X](#) [1731120397](#)