



PLATING ACTIVE ZONE			CHARACTERISTICS					
500 mating/unmating Ni: $2\mu\text{m}^{+2\mu\text{m}}_0$ Au: $1.27\mu\text{m min}$	500 mating/unmating Cu : flash Ni P : $2\mu\text{m}^{+2\mu\text{m}}_0$ Au: $0.2\mu\text{m min}$ (equivalent 0.8 $\mu\text{m Au}$)	200 mating/unmating Cu : flash Ni P : $2\mu\text{m}^{+2\mu\text{m}}_0$ Au: $0.15\mu\text{m min}$ (equivalent 0.4 $\mu\text{m Au}$)	CURRENT max A	AWG WIRE	mm ² AREA	$\phi A^{+0.1}_0$	$\phi B \pm 0.1$	Clip colour
8638PPS4007LF	8638PPS4006LF	-----	40	8	8.35	4.40	5.50	BLUE
8638PPS2007LF	8638PPS2006LF	-----	20	12	3.31	2.80	3.65	RED
8638PPS1507LF	8638PPS1506LF	8638PPS1505LF	15	14	2.08	2.10	3.00	WHITE
8638PPS1007LF	8638PPS1006LF	-----	10	16	1.34	1.70	2.60	BLACK

NOTE: RoHS INFORMATIONS

- The "LF" products meet European union Directives and regulations as described in GS-22-008
- Termination plating spec: Sn pure matte
- Packaging spec: see GS-14-920

Materials and finish

Active zone: CuZn40 Pb3. Plating: See table
 Termination zone (soldering sleeve): CuZn40Pb3
 Plating $2\mu\text{m}^{+2\mu\text{m}}_0$ Cu $3\mu\text{m}^{+3\mu\text{m}}_0$ Tin pure matte
 Clip : Thermoset plastic

Technical characteristics

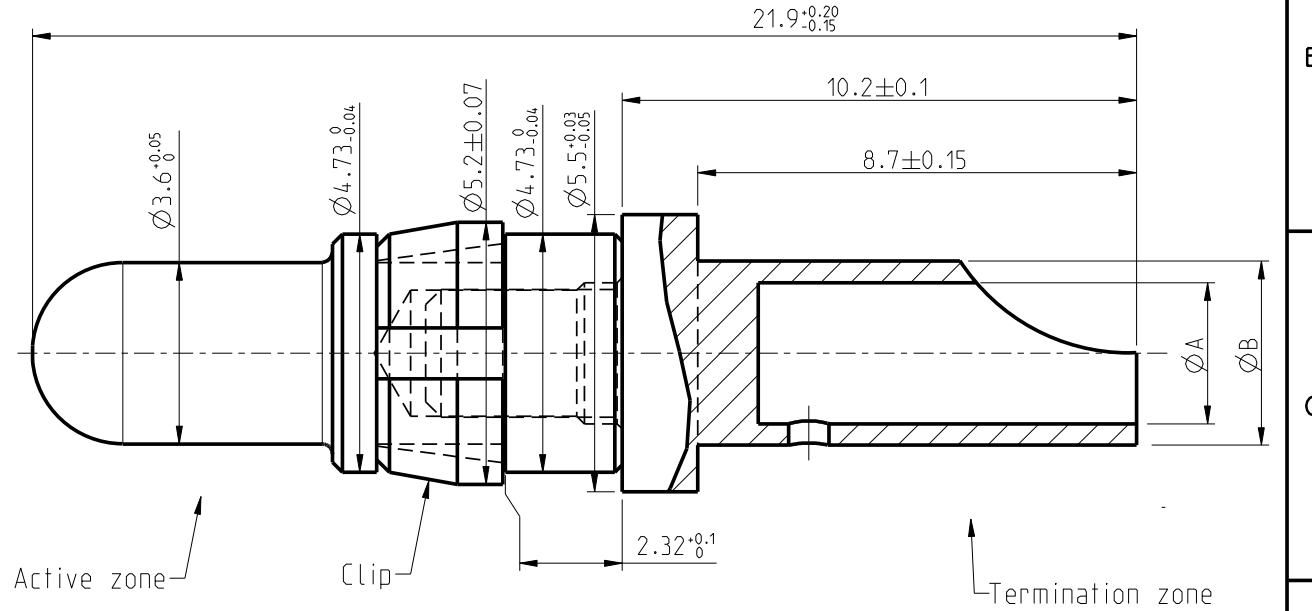
Peak voltage: 750 Veff.
 Operating voltage: 500 Veff.
 Temperature range $-55^\circ\text{C} +125^\circ\text{C}$
 Packaged per 100
 Current capability : see table

Mechanical characteristics :

Mechanical endurance: 200 or 500 matings/unmatings (see table).
 Contact insertion force in insulator:
 60N maxi in a hole of 4.80 mm

Examination of product:

Remove all burrs and sharp edges 0.08 maxi
 No scratch allowed



Mark with /		Material SEE NOTES		Spec ref																									
		Mat code -		surface -																									
		Heatreat -		tolerance <input checked="" type="checkbox"/> ISO 405																									
		Plating/Finish SEE TABLE + NOTES		ISO 1302 ISO 1101																									
		Dr JARRY 2002/02/28		projection <input type="checkbox"/> <input type="checkbox"/> mm																									
		Eng JARRY 2002/02/28		size A3 Scale 10:1																									
		Chr LEGARE 2002/02/28		Product family -																									
		Appr LEGARE 2002/02/28		Model Name 8638PPS200XLF																									
				ECN F10-0031																									
				REL Level 1																									
<table border="1"> <thead> <tr> <th>rev</th> <th>ecn no</th> <th>dr</th> <th>date</th> </tr> </thead> <tbody> <tr> <td>B</td> <td>LS05-005</td> <td>JAR</td> <td>2002/02/28</td> </tr> <tr> <td>C</td> <td>LS06-0097</td> <td>MPE</td> <td>2005/04/14</td> </tr> <tr> <td>D</td> <td>LS08-0029</td> <td>LGO</td> <td>2006/07/27</td> </tr> <tr> <td>E</td> <td>F09-D054</td> <td>MPE</td> <td>2008/01/28</td> </tr> <tr> <td>F</td> <td>F10-0031</td> <td>GPE</td> <td>2010/04/12</td> </tr> </tbody> </table>		rev	ecn no	dr	date	B	LS05-005	JAR	2002/02/28	C	LS06-0097	MPE	2005/04/14	D	LS08-0029	LGO	2006/07/27	E	F09-D054	MPE	2008/01/28	F	F10-0031	GPE	2010/04/12			MALE POWER CONTACT SOLDERED CONNECTION	
rev	ecn no	dr	date																										
B	LS05-005	JAR	2002/02/28																										
C	LS06-0097	MPE	2005/04/14																										
D	LS08-0029	LGO	2006/07/27																										
E	F09-D054	MPE	2008/01/28																										
F	F10-0031	GPE	2010/04/12																										
Pro/E file		catalog no		title 01-8638-0349 sheet 1 of 1																									

X-ON Electronics

Largest Supplier of Electrical and Electronic Components

Click to view similar products for [D-Sub Contacts](#) category:

Click to view products by [Amphenol](#) manufacturer:

Other Similar products are found below :

[173112-0723](#) [173112-0393](#) [173112-0389](#) [173112-0750](#) [173112-0912](#) [FMP009P104](#) [FMP010P104](#) [FMP010S104](#) [FMP016P104](#)
[FMP016S104](#) [FMP051S110](#) [FMX006S128B](#) [124C25029X](#) [131A11039X](#) [132A11019X](#) [132J22039X](#) [132A11029X](#) [132A12059X](#)
[132C12029X](#) [RMPIR01S02E2RLF](#) [DM53744-1](#) [1757912-1](#) [188582-000](#) [162A11839X](#) [162A11889X](#) [1757913-1](#) [FK20S18-02V_100](#)
[FMP006S110](#) [FMP009S104](#) [FMP139S115](#) [212558-1](#) [D02-22-26P-10000](#) [L17DM53744217](#) [D-610-10CS2820](#) [030-1955-000](#) [030-50634](#)
[053744-0098](#) [053744-0099](#) [053745-0105](#) [053745-0111](#) [601064N004](#) [601098N003](#) [6-745288-2](#) [D-610-10CS2962](#) [86303057NLF](#)
[DM537425001NCLF](#) [131A11019X](#) [173112-0045](#) [162A11819X](#) [1731120397](#)