

I 2 3 4

PLATING ACTIVE ZONE			CHARACTERISTICS					
500 mating/unmating Ni: $2\mu\text{m}_0^{+2\mu\text{m}}$ Au: $1.27\mu\text{m min}$	500 mating/unmating Cu : flash Ni P : $2\mu\text{m}_0^{+2\mu\text{m}}$ Au: $0.2\mu\text{m min}$ (equivalent $0.8\mu\text{m Au}$ )	200 mating/unmating Cu : flash Ni P : $2\mu\text{m}_0^{+2\mu\text{m}}$ Au: $0.15\mu\text{m min}$ (equivalent $0.4\mu\text{m Au}$ )	CURRENT max A	AWG WIRE	mm <sup>2</sup> AREA	$\phi A^{+0.1}_0$	$\phi B \pm 0.1$	Clip colour
8638PSC 4007LF	8638PSC 4006LF	8638PSC 4005LF	40	8-10	5-8	4.70	5.50	BLUE
8638PSC 3007LF	8638PSC 3006LF	8638PSC 3005LF	30	9	6	3.75	4.75	WHITE
8638PSC 2007LF	8638PSC 2006LF	8638PSC 2005LF	20	12-14	2-3	2.80	3.70	RED
8638PSC 1007LF	8638PSC 1006LF	8638PSC 1005LF	10	16-18	0.9-1.3	1.80	2.55	BLACK

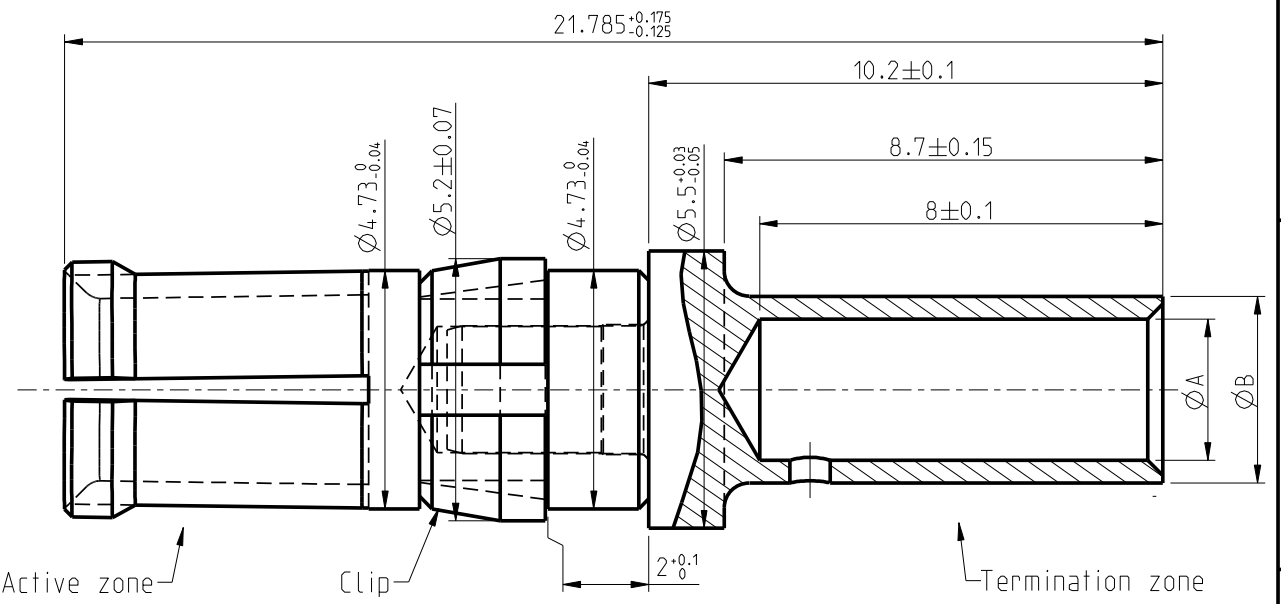
**NOTE: RoHS INFORMATIONS**  
 - The "LF" products meet European union Directives and regulations as described in GS-22-008  
 - Termination plating spec: Sn pure matte  
 - Packaging spec: see GS-14-920

Materials and finish  
 Active zone: CuZn40 Pb3. Plating: See table  
 Termination zone (crimping sleeve): CuZn40Pb3  
 Plating  $2\mu\text{m}_0^{+2\mu\text{m}}$  Cu  $3\mu\text{m}_0^{+3\mu\text{m}}$  Tin pure matte  
 Clip : Thermoset plastic

Technical characteristics  
 Peak voltage: 750 Veff.  
 Operating voltage: 500 Veff.  
 Temperature range  $-55^\circ\text{C} +125^\circ\text{C}$   
 Packaged per 100  
 Current capability : see table

Mechanical characteristics :  
 Crimping test: according to MILC39029  
 Mechanical endurance: 200 or 500 matings/unmatings (see table).  
 Contact insertion force in insulator:  
 60N maxi in a hole of 4.80 mm

Examination of product:  
 Remove all burrs and sharp edges 0.08 maxi  
 No scratch allowed



Mark with /		Material SEE NOTES		Spec ref	
		Mat code -		surface -	
		Heatreat -		tolerance <input checked="" type="checkbox"/> ISO 405	
		Plating/Finish SEE TABLE + NOTES		ISO 1302 ISO 1101	
		Dr JARRY 1994/10/14		projection	
		Eng PESSON 1994/10/14		size A3	
		Chr LEGARE 1994/10/14		Scale 10:1	
		Appr LEGARE 1994/10/14		Model Name 8638PSC200XLF	
				ECN F10-0031	
				REL Level 1	
				Title FEMALE POWER CONTACT	
				FOR CRIMPED CONNECTION	
		Pro/E file		catalog no	
				Customer	
				sheet 1 of 1	

## X-ON Electronics

Largest Supplier of Electrical and Electronic Components

*Click to view similar products for [D-Sub Contacts](#) category:*

*Click to view products by [Amphenol](#) manufacturer:*

Other Similar products are found below :

[173112-0723](#) [173112-0393](#) [173112-0389](#) [173112-0750](#) [173112-0912](#) [FMP009P104](#) [FMP010P104](#) [FMP010S104](#) [FMP016P104](#)  
[FMP016S104](#) [FMP051S110](#) [FMX006S128B](#) [124C25029X](#) [131A11039X](#) [132A11019X](#) [132J22039X](#) [132A11029X](#) [132A12059X](#)  
[132C12029X](#) [RMPIR01S02E2RLF](#) [DM53744-1](#) [1757912-1](#) [188582-000](#) [162A11839X](#) [162A11889X](#) [1757913-1](#) [FK20S18-02V\\_100](#)  
[FMP006S110](#) [FMP009S104](#) [FMP139S115](#) [212558-1](#) [D02-22-26P-10000](#) [L17DM53744217](#) [D-610-10CS2820](#) [030-1955-000](#) [030-50634](#)  
[053744-0098](#) [053744-0099](#) [053745-0105](#) [053745-0111](#) [601064N004](#) [601098N003](#) [6-745288-2](#) [D-610-10CS2962](#) [86303057NLF](#)  
[DM537425001NCLF](#) [131A11019X](#) [173112-0045](#) [162A11819X](#) [1731120397](#)