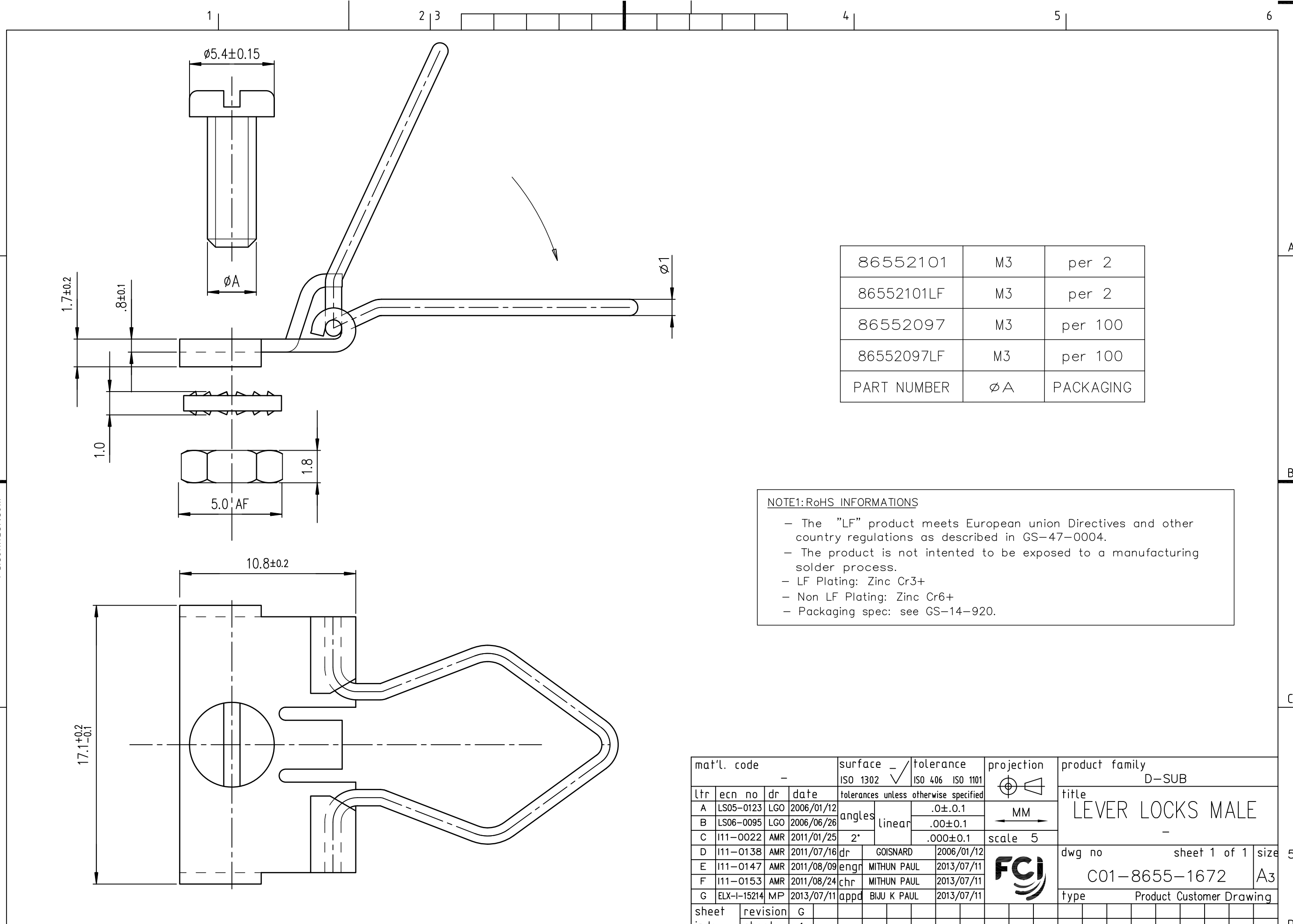




FCIconnect.com

Copyright FCI



86552101	M3	per 2
86552101LF	M3	per 2
86552097	M3	per 100
86552097LF	M3	per 100
PART NUMBER	∅A	PACKAGING

NOTE1:RoHS INFORMATIONS

- The "LF" product meets European union Directives and other country regulations as described in GS-47-0004.
- The product is not intended to be exposed to a manufacturing solder process.
- LF Plating: Zinc Cr3+
- Non LF Plating: Zinc Cr6+
- Packaging spec: see GS-14-920.

mat'l. code		-		surface		ISO 1302		tolerance		ISO 406		ISO 1101		projection		product family	
ltr		ecn no		dr		date		tolerances unless otherwise specified		angles		linear		MM		D-SUB	
A		LS05-0123		LGO		2006/01/12		.0±0.1		2°		.00±0.1		scale 5		title	
B		LS06-0095		LGO		2006/06/26		.00±0.1								LEVER LOCKS MALE	
C		I11-0022		AMR		2011/01/25		.000±0.1								-	
D		I11-0138		AMR		2011/07/16		dr		GOISNARD		2006/01/12		FCI		dwg no	
E		I11-0147		AMR		2011/08/09		engr		MITHUN PAUL		2013/07/11				sheet 1 of 1	
F		I11-0153		AMR		2011/08/24		chr		MITHUN PAUL		2013/07/11				size 5	
G		ELX-I-15214		MP		2013/07/11		appd		BIJU K PAUL		2013/07/11				A3	
sheet index		revision		G		1										type	
																Product Customer Drawing	

X-ON Electronics

Largest Supplier of Electrical and Electronic Components

Click to view similar products for [D-Sub Tools & Hardware](#) category:

Click to view products by [Amphenol](#) manufacturer:

Other Similar products are found below :

[173112-0667](#) [173112-0759](#) [173112-0967](#) [173112-0291](#) [173112-0456](#) [000-01-09-132](#) [000-01-21-132](#) [000-01-31-162](#) [572019-00105-70](#)
[000-01-37-162](#) [621-250-113-115](#) [D20418-2R](#) [D20418-J3F](#) [70521CLF](#) [70524BLF](#) [70527BLF](#) [70527CLF](#) [F1042-1PLAH](#) [750643-1](#) [780-010-06G4-00C](#) [780-518-50SG6-WS](#) [863004ATLF](#) [86552009](#) [86553115TLF](#) [86553117TLF](#) [86553156LF](#) [FSGK1/5](#) [980-8554-000](#) [980-8555-000](#)
[980-8557-000](#) [980-8558-000](#) [1230032-1](#) [1-5021101-2](#) [15-000050](#) [1589283-4](#) [160-000-005R031](#) [16-000230](#) [160-020-109R000](#) [160-025-004R031](#) [160-015-003R031](#) [160-020-209R000](#) [160X10909X](#) [164C03939A](#) [177-505-A-2-2](#) [177-505-C-4-4](#) [179-013-1H](#) [1-966830-8](#) [21018-6](#)
[21028-3](#) [213622-5](#)