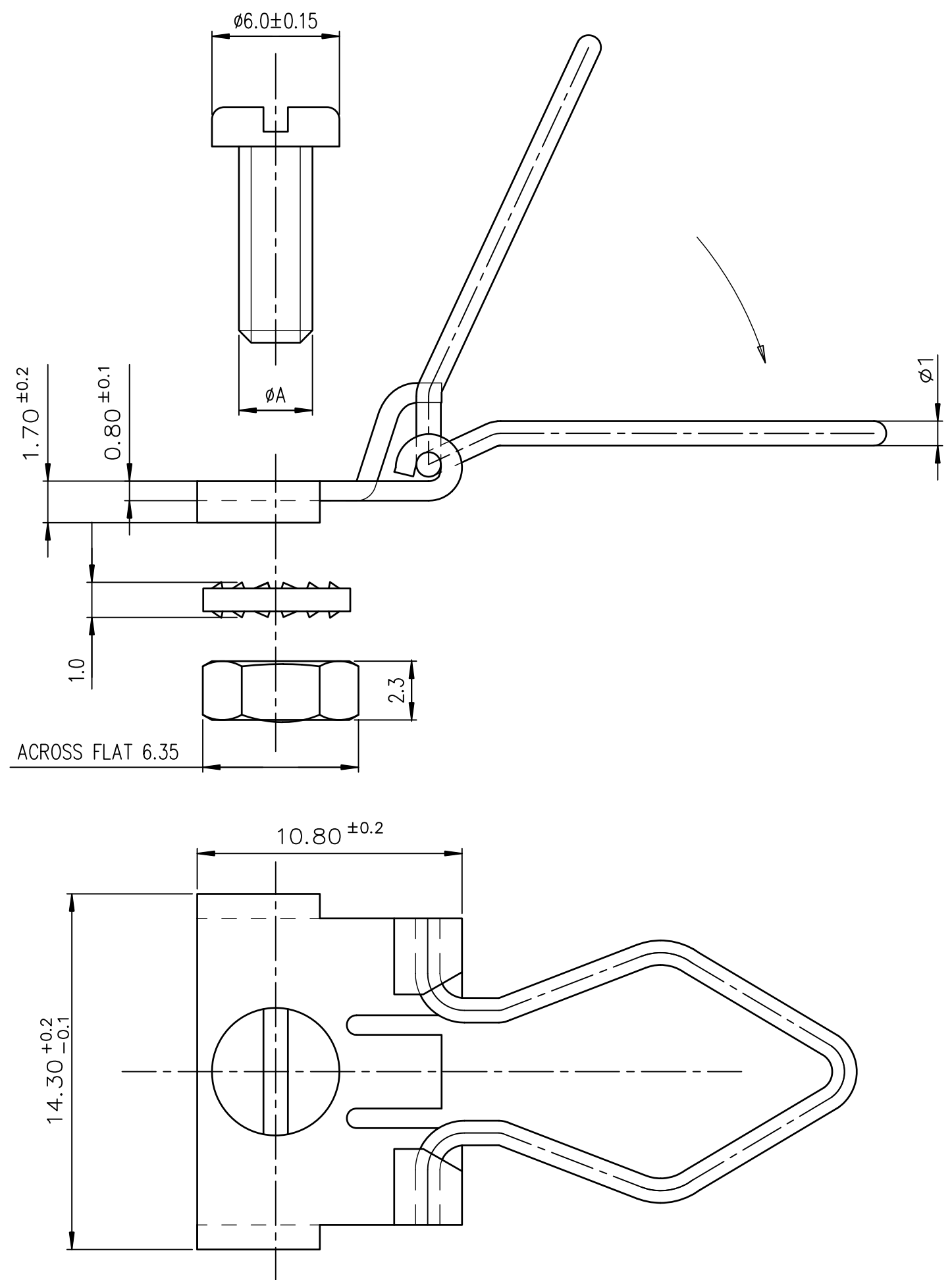




Copyright FCI

form: A3



MATERIAL AND FINISH

- BRACKET: stainless steel, passivated
- SCREW: steel, passivated zinc
- NUT: steel, passivated zinc
- LOCK WASHER: steel, passivated zinc
- LOCK SPRING: stainless steel, passivated

86552100LF	M 3	per 2
86552098LF	UNC 4.40	per 100
PART NUMBER	Ø A	PACKAGING

NOTE1:RoHS INFORMATIONS

- The "LF" product meets European union Directives and other country regulations as described in GS-47-0004.
- The product is not intended to be exposed to a manufacturing solder process.
- Plating: Zinc Cr3+, white color.
- Packaging spec: see GS-14-920.

mat'l. code		surface		tolerance		projection		product family	
SEE NOTES		ISO 1302 ✓		ISO 406 ISO 1101				D-SUB	
		tolerances unless otherwise specified				MM		title	
ltr	ecn no	dr	date	angles	linear			LEVER LOCKS MALE	
A	LS05-0123	LGO	2006/01/12					SHELL 9-15-25-37	
B	LS06-0095	LGO	2006/06/23						
C	I09-0146	MRA	2009/07/21	2'		scale 5			
D	I11-0022	AMR	2011/01/25	dr	GOISNARD	2006/01/12		dwg no sheet 1 of 1 size 5	
E	I11-0153	AMR	2011/08/24	engr	MITHUN PAUL	2013/07/11		A3	
F	ELX-I-15214	MP	2013/07/11	chr	MITHUN PAUL	2013/07/11		C01-8655-1633	
-	-	-	-	appd	BIJU K PAUL	2013/07/11		type Product Customer Drawing	
sheet index	revision sheet	F	1						

X-ON Electronics

Largest Supplier of Electrical and Electronic Components

Click to view similar products for [D-Sub Tools & Hardware](#) category:

Click to view products by [Amphenol](#) manufacturer:

Other Similar products are found below :

[000-01-09-132](#) [000-01-21-132](#) [000-01-31-162](#) [572019-00105-70](#) [000-01-37-162](#) [621-250-113-115](#) [D110550-2](#) [D20418-137](#) [780-518-50SG6-WS](#) [86552009](#) [86553115TLF](#) [86553117TLF](#) [1230032-1](#) [1-5021101-2](#) [1589283-4](#) [160-000-005R031](#) [16-000230](#) [160-025-004R031](#) [160-020-209R000](#) [160X10909X](#) [164C03939A](#) [177-505-A-2-2](#) [1-966830-8](#) [21018-6](#) [21028-2](#) [2-1393560-9](#) [JS-1000](#) [L17D204182M3E](#) [L17D53018](#) [300X10779X](#) [160X10189X](#) [160X10419X](#) [162-000-050R000](#) [21018-5](#) [212561-3](#) [248C21550X](#) [CF15P](#) [D110277](#) [500-008NF1K-01](#) [500-008NF3R3KS-01](#) [500-017M09FN](#) [500-017M15MHN](#) [500-024M1](#) [500-068M3](#) [5-1393561-5](#) [C115373-0001](#) [C115373-0002](#) [3342-4-KIT](#) [K1003](#) [L17D4M68711](#)