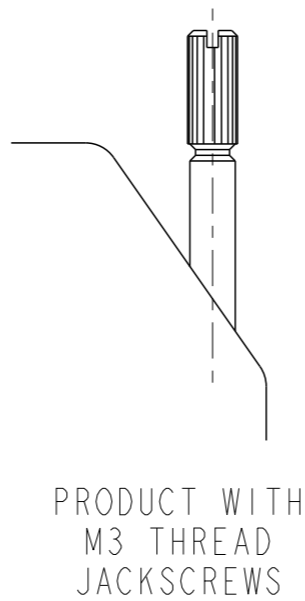
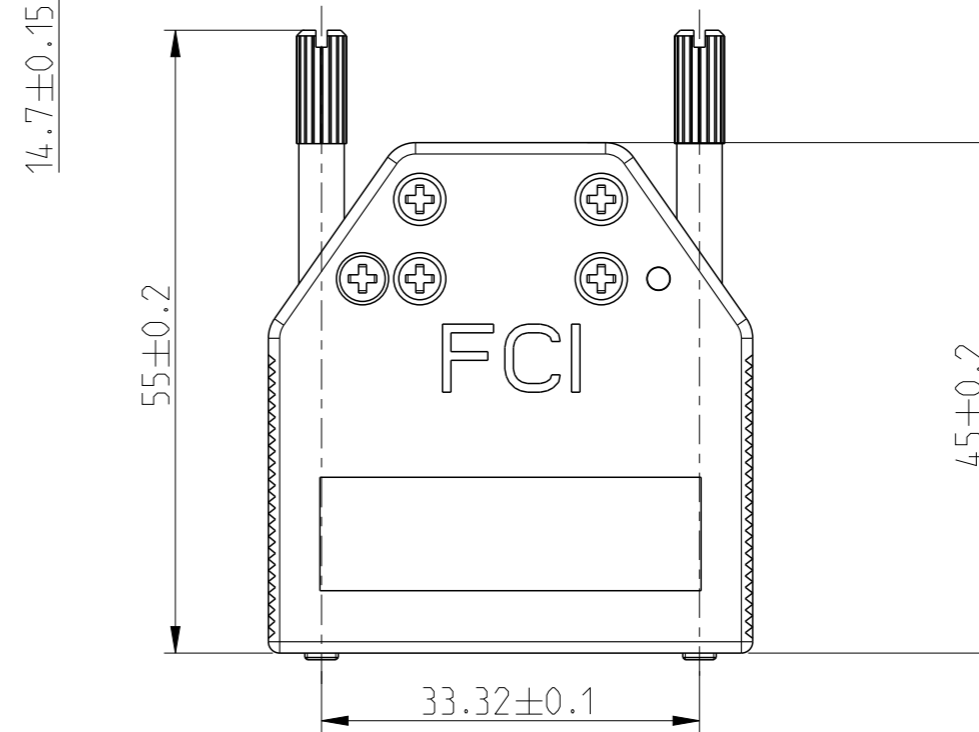
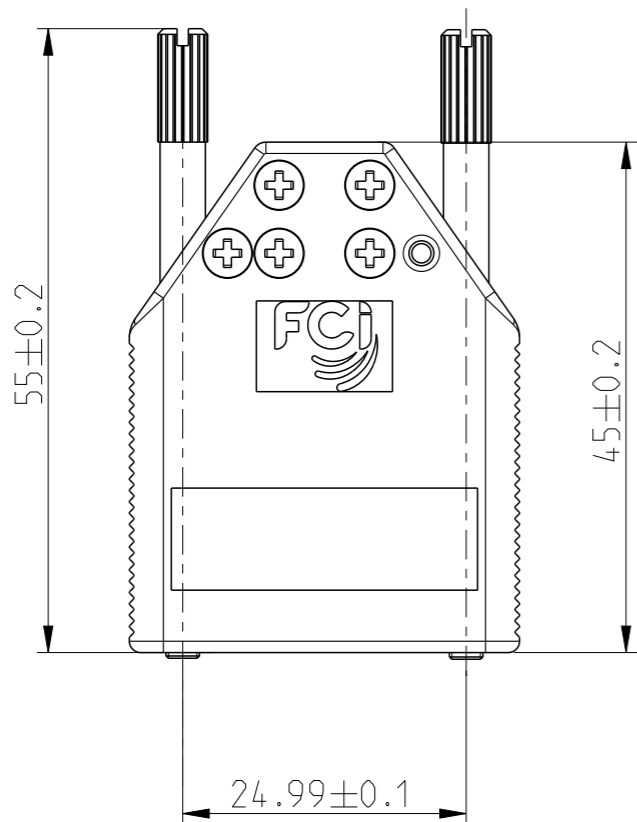
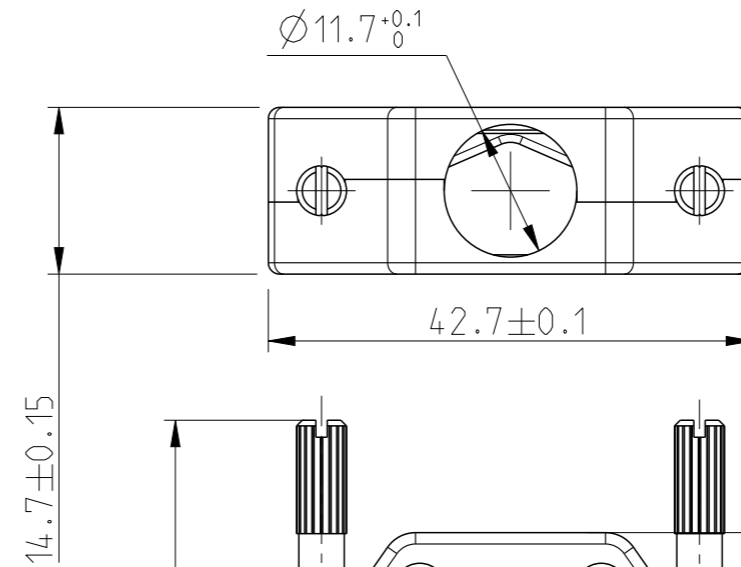
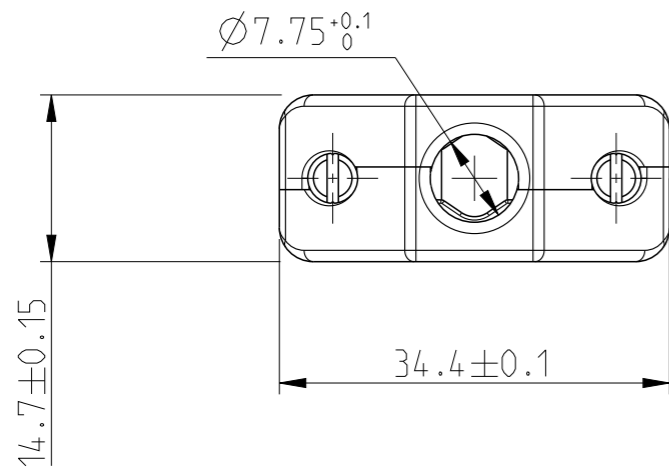


SIZE	Part Number	Jack Screw Thread	Packing
09	8655MH0901LF	UNC 4-40	bulk : Qty 80
	8655MH0911LF		individual set 50 sets/carton
	8655MH0902LF	M3	bulk : Qty 80
	8655MH0912LF		individual set 50 sets/carton

SIZE	Part Number	Jack Screw Thread	Packing
15	8655MH1501LF	UNC 4-40	bulk : Qty 80
	8655MH1511LF		individual set 50 sets/carton
	8655MH1502LF	M3	bulk : Qty 80
	8655MH1512LF		individual set 50 sets/carton



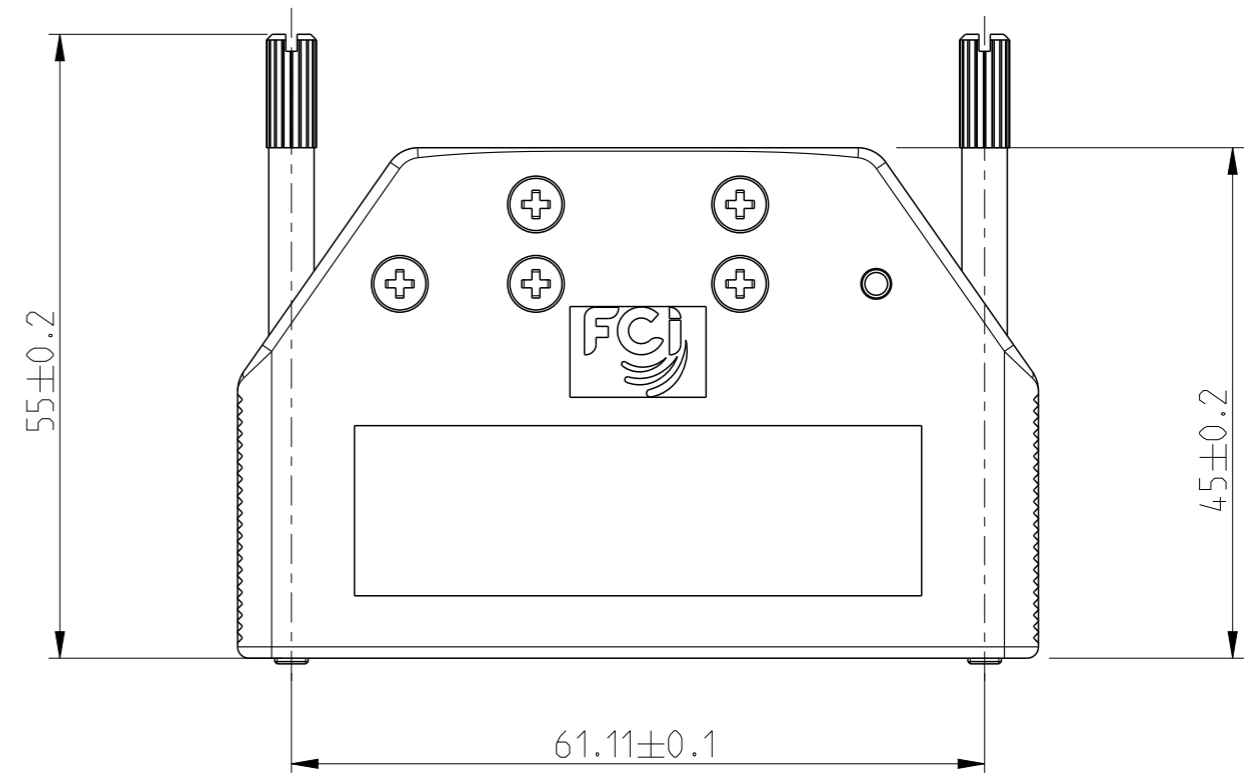
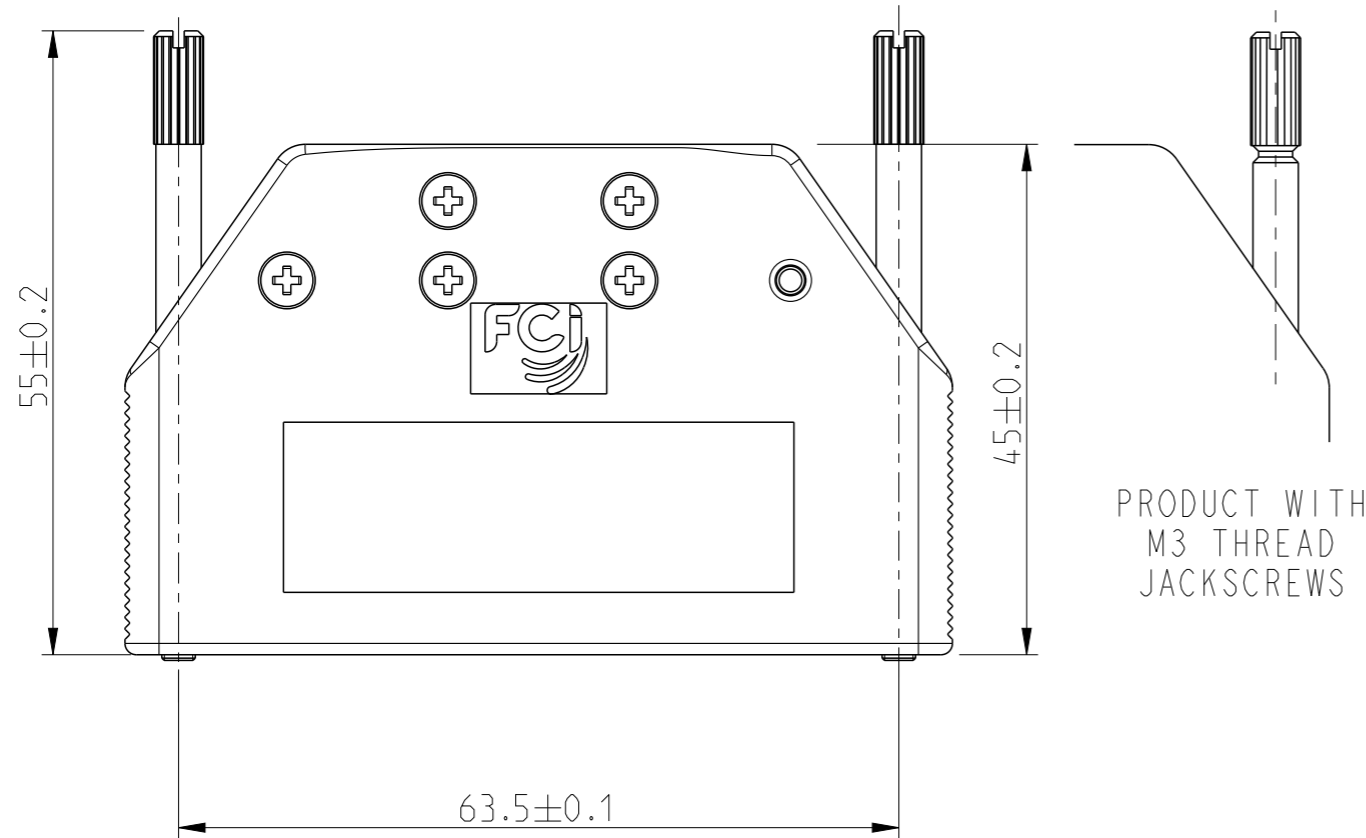
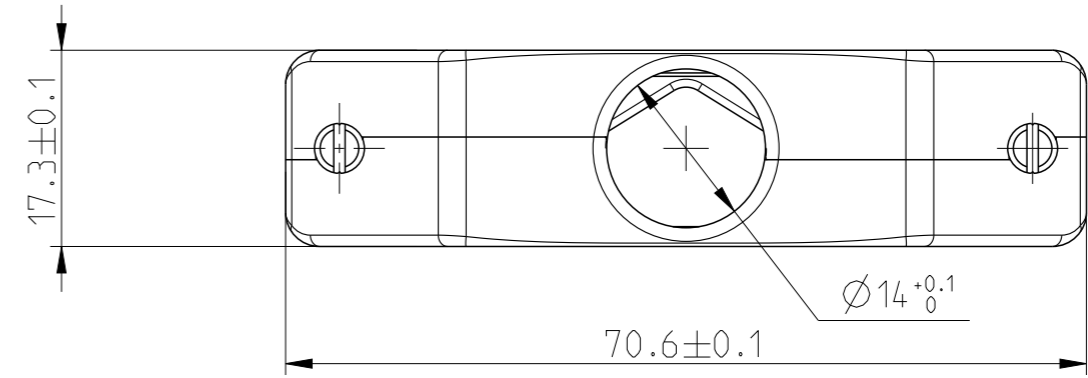
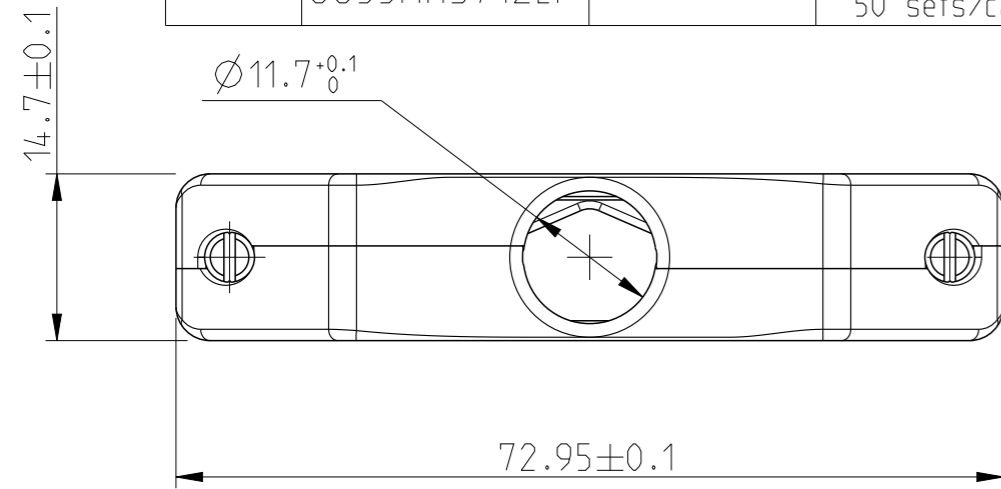
spec ref	dr	A Parrenin	2009/05/20	projection	mm	size	A3	scale	3:2
tolerance std	eng	J Dalibard	2015/09/10			ecn no	ELX-B-20414-1		
ISO 406 ISO 1101	chr	J Dalibard	2015/09/10			rel level	Released		
surface	appr	Aymeric Soudy	2015/09/11	product family		rel level	Released		
ISO 1302	linear	0.X	±/		title STRAIGHT METAL HOODS WITH 2 METAL CLAMPS	dwg no C-8655-1685C	rev D		
		0.XX	±/						
	angular	0°	±/°						
www.fci.com				cat. no.	-	Product - Customer Drw		sheet 2 of 4	



Copyright FCI.

SIZE	Part Number	Jack Screw Thread	Packing
37	8655MH3701LF	UNC 4-40	bulk : Qty 40
	8655MH3711LF		individual set 50 sets/carton
	8655MH3702LF	M3	bulk : Qty 40
	8655MH3712LF		individual set 50 sets/carton

SIZE	Part Number	Jack Screw Thread	Packing
50	8655MH5001LF	UNC 4-40	bulk : Qty 40
	8655MH5011LF		individual set 50 sets/carton
	8655MH5002LF	M3	bulk : Qty 40
	8655MH5012LF		individual set 50 sets/carton



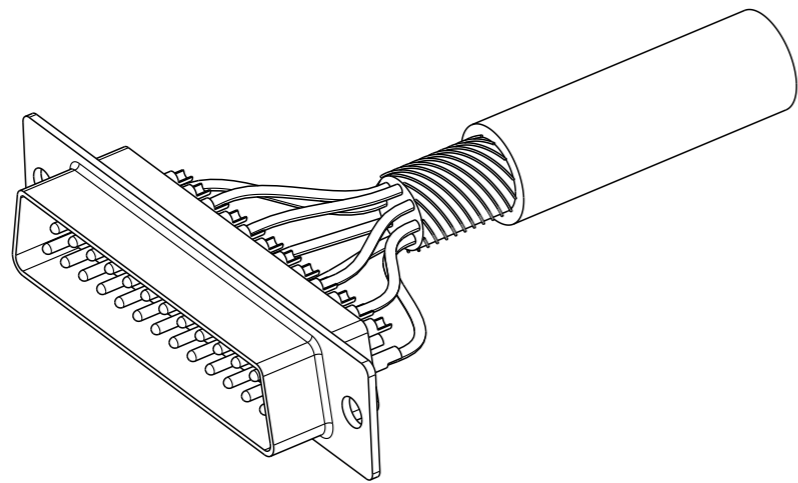
spec ref	dr	A Parrenin	2009/05/20	projection	mm	size	A3	scale	3:2													
tolerance std	eng	J Dalibard	2015/09/10			ecn no	ELX-B-20414-1	rel level	Released													
ISO 406 ISO 1101	chr	J Dalibard	2015/09/10							product family	-											
surface	appr	Aymeric Soudy	2015/09/11			dwg no	C-8655-1685C	rev	D													
ISO 1302	<table border="1"> <tr> <td>linear</td> <td>0.X</td> <td>±/</td> </tr> <tr> <td></td> <td>0.XX</td> <td>±/</td> </tr> <tr> <td></td> <td>0.XXX</td> <td>±/</td> </tr> <tr> <td>angular</td> <td>0°</td> <td>±/°</td> </tr> </table>		linear	0.X	±/		0.XX	±/		0.XXX	±/	angular	0°	±/°	<table border="1"> <tr> <td>title</td> <td>STRAIGHT METAL HOODS WITH 2 METAL CLAMPS</td> </tr> <tr> <td>cat. no.</td> <td>-</td> </tr> </table>	title	STRAIGHT METAL HOODS WITH 2 METAL CLAMPS	cat. no.	-	Product - Customer Drw		sheet 3 of 4
linear	0.X	±/																				
	0.XX	±/																				
	0.XXX	±/																				
angular	0°	±/°																				
title	STRAIGHT METAL HOODS WITH 2 METAL CLAMPS																					
cat. no.	-																					



Copyright FCI.

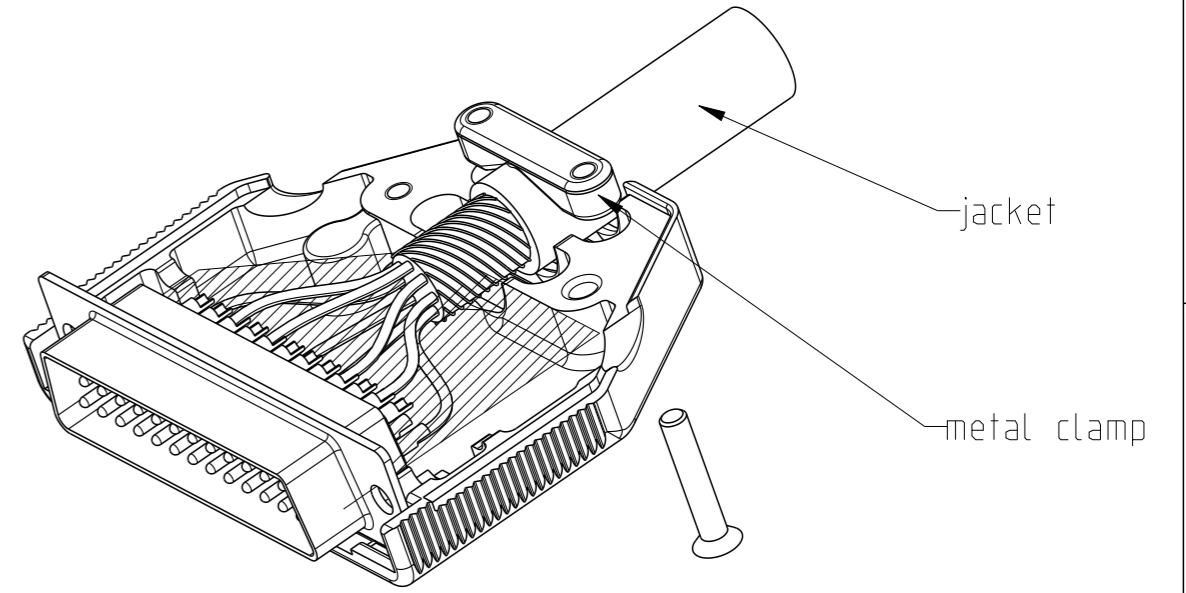
CABLING INSTRUCTIONS

1- Strip the cable and solder or crimp the wires



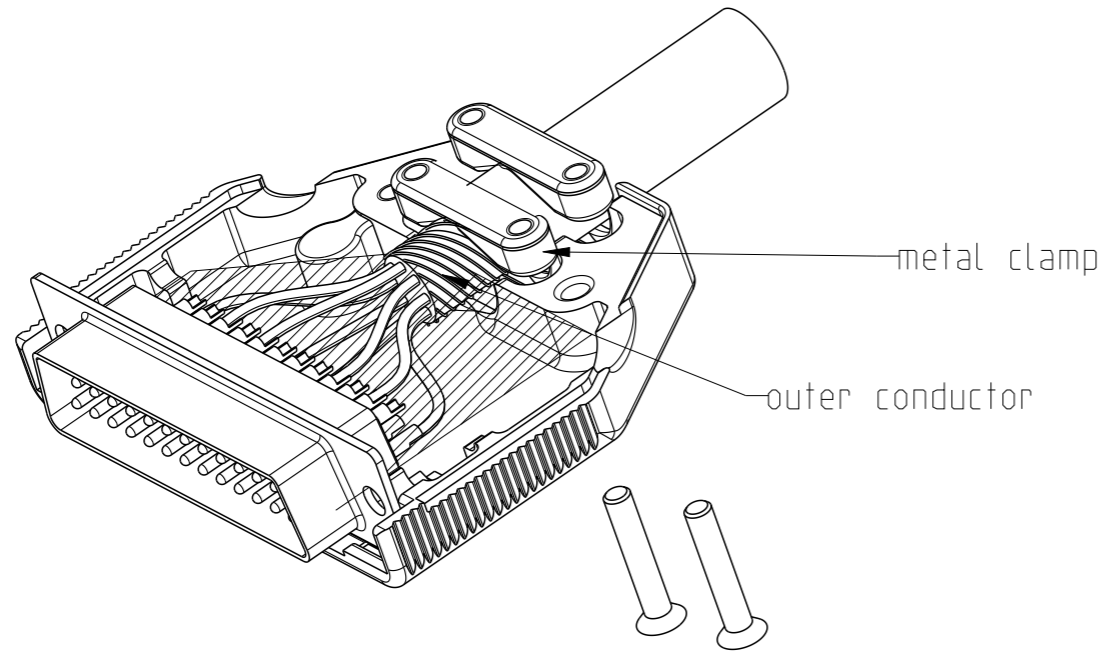
SCALE 3:2

2-Put the connector into a half hood and tighten the jacket with a metal clamp



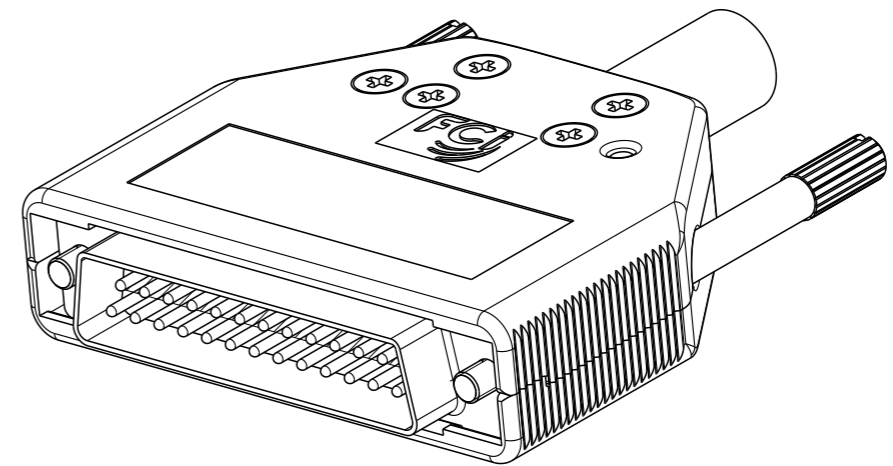
SCALE 3:2

3-To get the electrical continuity between the cable outer conductor and the hood tighten the outer conductor with the other metal clamp as shown



SCALE 3:2

4-Mount the jackscrews, the other half hood and tighten with 2 screws



Copyright FCI.

spec ref		dr	A Parrenin	2009/05/20	projection	mm	size	A3	scale	1:1
tolerance std		eng	J Dalibard	2015/09/10				ecn no	ELX-B-20414-1	
ISO 406 ISO 1101		TOLERANCES UNLESS OTHERWISE SPECIFIED			product family	rel level			Released	
surface	ISO 1302	linear	0.X	±/		title STRAIGHT METAL HOODS WITH 2 METAL CLAMPS	dwg no C-8655-1685C	rev D		
			0.XX	±/						
		angular	0°	±/°	www.fci.com	cat. no.	Product - Customer Drw		sheet 4 of 4	

X-ON Electronics

Largest Supplier of Electrical and Electronic Components

Click to view similar products for [D-Sub Backshells](#) category:

Click to view products by [Amphenol](#) manufacturer:

Other Similar products are found below :

[600X51137X](#) [600X54009X](#) [66241-12A](#) [M85049/6-38N](#) [M85049/86-12N03](#) [M85049/90-13P03](#) [70.350.0636.4](#) [70.350.2435.1](#) [72.350.1035.2](#)
[72.352.2435.1](#) [73.359.4035.3](#) [829472-1](#) [PCS-E20W](#) [970-015-040R011](#) [971-009-030R121](#) [971-009-040R011](#) [971-015-040R011](#) [DPH-B-003](#)
[1437013-9](#) [1484402-8](#) [156-3025-EX](#) [16-500800](#) [165X02659X](#) [165X03399A](#) [165X10259X](#) [165X11359X](#) [165X11689X](#) [165X11759X](#)
[165X11889X](#) [165X11899X](#) [165X13019X](#) [165X13029X](#) [165X13169X](#) [165X13199X](#) [165X13239X](#) [165X13389X](#) [165X13489X](#)
[165X14219X](#) [165X14429X](#) [165X14449X](#) [165X17409X](#) [165X17439X](#) [165X17569X](#) [165X17599X](#) [165X17609X](#) [165X17979X](#) [L171373](#)
[971-025-030R121](#) [300X10989X](#) [165X02609X](#)