

1

2

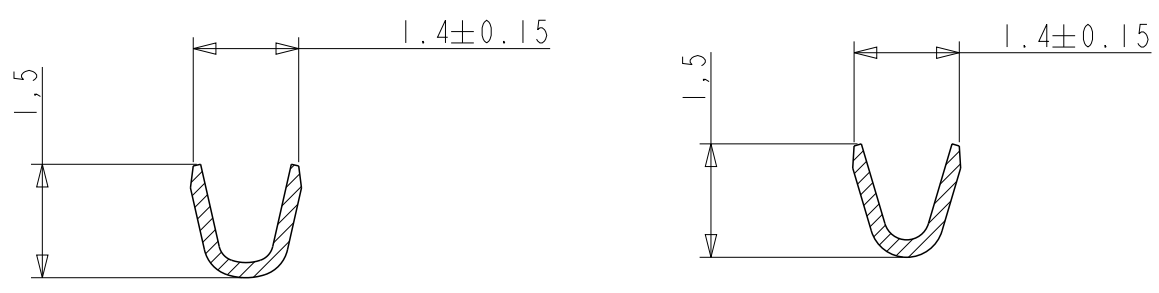
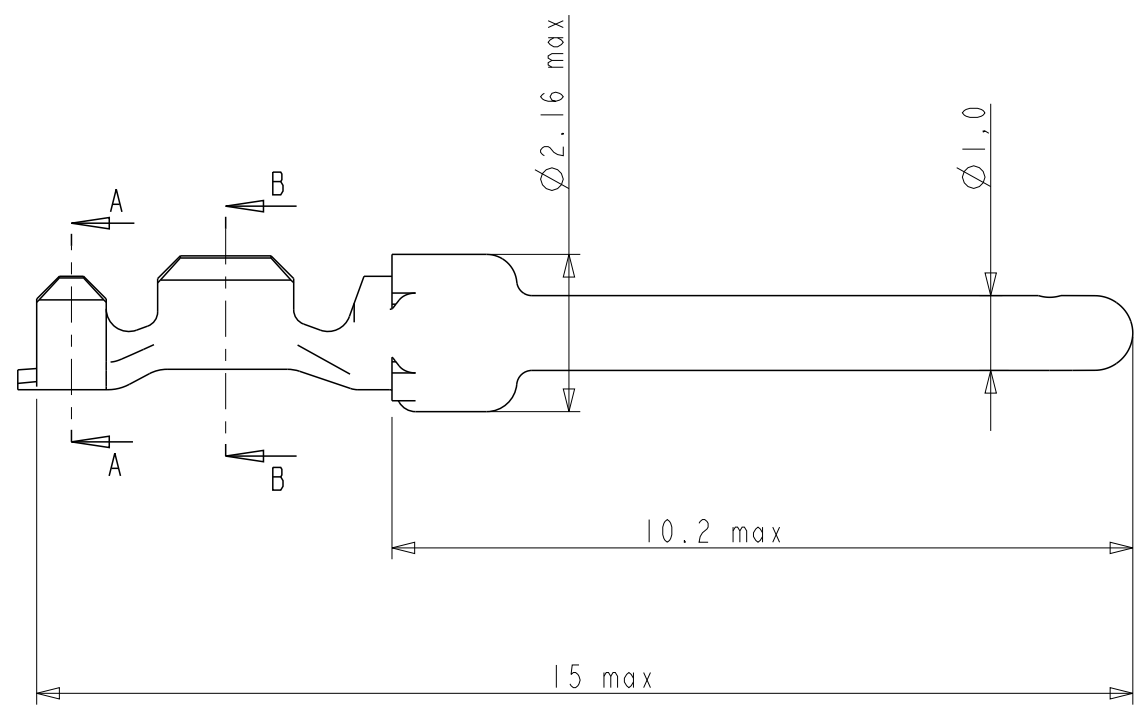
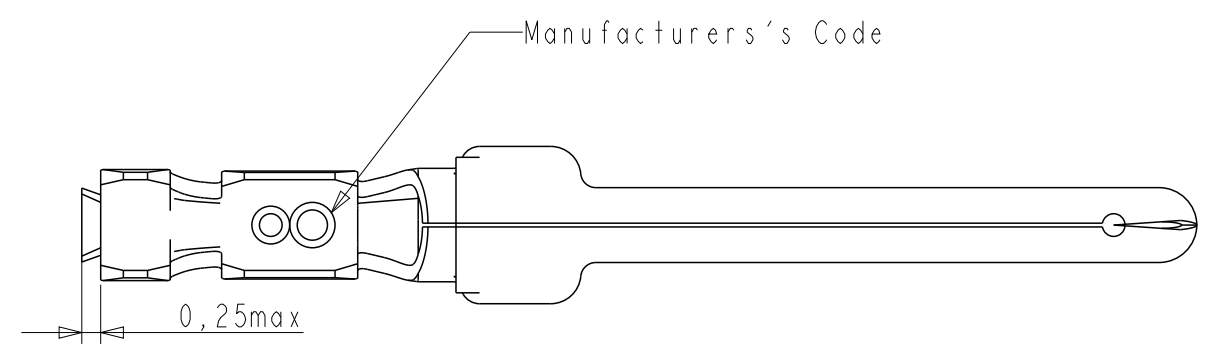
3

4

NOTES:

- 1-Material: Phosphor bronze, thickness 0.20
socket : Phosphor bronze
- 2-Finish on contact area: see table
finish on termination: bright tin over nickel
- 3-Wire range: 20 to 28 AW
- 4-Max outer dia of wire insulator:
-1.73 mm for contact #20-24
-1.02 mm for contact #24-28
- 5-Current carrying capacity per contact:
5 Amps max when crimped to #20 AWG
5 Amps max when crimped to #22 AWG
3 Amps max when crimped to #24 AWG
2 Amps max when crimped to #26 AWG
1 Amps max when crimped to #28 AWG
- 6-After 5 insertions into connector,
contact retention must be 5 pounds axial load min
- 7-When contact is crimped to 20 AWG, the insulation
support crimped height must be 1.78 mm max to ensure
a proper insertion into housing
- 6-Packaging: box of 500 contacts

PART NUMBER	Plating
8656350067LF	0.4µ Au / GXT
8656350067	0.4µ Au / GXT
8656350065LF	0.76µ Au / GXT
86563050065	0.76µ Au / GXT
8656350064LF	flash Au
8656350064	flash Au



CROSS SECTIONS FOR CT #24-28



Copyright FCI.

NOTE : ROHS INFORMATIONS
The LF products meet European union directives and other country regulations as described in GS-22-008
Terminations plating spec : 2um Nickel min + 2um Sn min
Packaging Spec : see GS-14-920

rev	ecn no	dr	date
C	LS06-196	MPE	27/11/2006
D	LS08-0127	MPE	2008/05/13
E	LS08-0167	MPE	2008/08/05
F	110-0070	AMR	2010-03-09
G	111-0003	AMR	2011-01-06
-	-	-	-
-	-	-	-

www.fciconnect.com		surface - ✓ ISO 1302	tolerance std ISO 406 ISO 1101	projection mm
TOLERANCES UNLESS OTHERWISE SPECIFIED				
Dr -	18/04/03	ANGULAR	0.X ±0.3	size A3
Eng -	-	LINEAR	0.XX ±0.1	
Chr -	-	0° ±2°	0.XXX ±0.05	ECN 111-0003
Appr -	-	Product family	-	Spec ref -
FCI		CRIMP PIN		Rev. G
		#Wire 24-28 ∅1.02		dwg no C01-8656-1506
		catalog no		sheet 1 of 1

X-ON Electronics

Largest Supplier of Electrical and Electronic Components

Click to view similar products for [D-Sub Contacts](#) category:

Click to view products by [Amphenol](#) manufacturer:

Other Similar products are found below :

[173112-0723](#) [173112-0393](#) [173112-0389](#) [173112-0750](#) [173112-0912](#) [FMP009P104](#) [FMP010P104](#) [FMP010S104](#) [FMP016P104](#)
[FMP016S104](#) [FMP051S110](#) [FMX006S128B](#) [124C25029X](#) [131A11039X](#) [132A11019X](#) [132J22039X](#) [132A11029X](#) [132A12059X](#)
[132C12029X](#) [RMPIR01S02E2RLF](#) [DM53744-1](#) [1757912-1](#) [188582-000](#) [162A11839X](#) [162A11889X](#) [1757913-1](#) [FK20S18-02V_100](#)
[FMP006S110](#) [FMP009S104](#) [FMP139S115](#) [212558-1](#) [D02-22-26P-10000](#) [L17DM53744217](#) [D-610-10CS2820](#) [030-1955-000](#) [030-50634](#)
[053744-0098](#) [053744-0099](#) [053745-0105](#) [053745-0111](#) [601064N004](#) [601098N003](#) [6-745288-2](#) [D-610-10CS2962](#) [86303057NLF](#)
[DM537425001NCLF](#) [131A11019X](#) [173112-0045](#) [162A11819X](#) [1731120397](#)