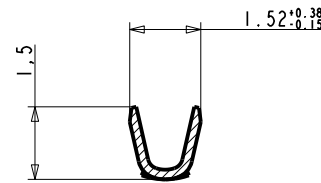
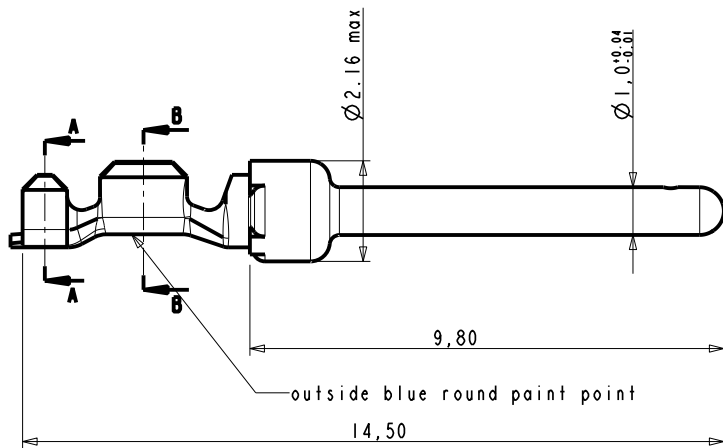
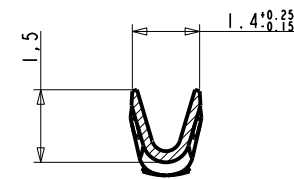


PART NUMBER	Plating
8656450067LF	0.4μ Au
8656450067	0.4μ Au

- NOTES:
- 1-Material: phosphor bronze, thickness 0.20
 - 2-Finish on contact area: SEE TABLE
 - Finish on termination: bright tin lead over nickel
 - 3-Wire range: 20 to 28 AWG
 - 4-Max outer dia of wire insulator:
 - 1.73 mm for contact #20-24
 - 1.02 mm for contact #24-28
 - 5-Current carrying capacity per contact:
 - 5 Amps max when crimped to #20 AWG
 - 5 Amps max when crimped to #22 AWG
 - 3 Amps max when crimped to #24 AWG
 - 2 Amps max when crimped to #26 AWG
 - 1 Amps max when crimped to #28 AWG
 - 6-After 5 insertions into connector, contact retention must be 5 pounds axial load min
 - 7-When contact is crimped to 20 AWG, the insulation support crimped height must be 1.78 mm max to ensure a proper insertion into housing
 - 6-Packaging: Reel



SECTION A-A



SECTION B-B

CROSS SECTIONS FOR CT #24-28



Copyright FCI.

NOTE : ROHS INFORMATIONS
 The LF products meet European union directives and other country regulations as described in GS-22-008
 Terminations plating spec : 2um Nickel min + 2um Sn min
 Packaging Spec : see GS-14-920

rev	ecn no	dr	date
C	LS06-196	MPE	27/11/2006
D	LS08-0127	MPE	13/05/2008
E	LS08-0216	MPE	26/11/2008
-	-	-	-
-	-	-	-
-	-	-	-

www.fciconnect.com		surface - <input checked="" type="checkbox"/> ISO 1302	tolerance std <input checked="" type="checkbox"/> ISO 406	ISO 1101	projection	mm
TOLERANCES UNLESS OTHERWISE SPECIFIED						
Dr	-	18/04/03	ANGULAR	0.X ±0.3	size A3	Scale 5/1
Eng	-	-	LINEAR	0.XX ±0.1		
Chr	-	-	0° ±2°	0.XXX ±0.05		
Appr	-	-	Product family	-	ECN LS08-0216	
FCI			title CRIMP PIN		dwg no C01-8656-0417	Rev. E
			#Wire 24-28 Ø1.02			sheet 1 of 1
			catalog no			

REV I - 2006-04-17

X-ON Electronics

Largest Supplier of Electrical and Electronic Components

Click to view similar products for [D-Sub Contacts](#) category:

Click to view products by [Amphenol](#) manufacturer:

Other Similar products are found below :

[D02-22-26S-10000](#) [8656352067LF](#) [131A15029X](#) [132J22039X](#) [132A11029X](#) [132A11049X](#) [132A12059X](#) [1757912-1](#) [188582-000](#)
[162A11889X](#) [1757913-1](#) [212558-1](#) [030-1955-000](#) [053744-0098](#) [053744-0099](#) [053745-0105](#) [053745-0111](#) [601098N003](#) [D-610-10CS2962](#)
[86303057NLF](#) [131A11019X](#) [162A11819X](#) [40-9854MP](#) [1-208778-5](#) [FC120N2](#) [MC7526D/AA](#) [MC8122D/AA](#) [FC4010D-15](#) [FC4006D](#)
[121A05329A](#) [164C16669X](#) [86566620064LF](#) [131A13019X](#) [DLS3XS5AK40X](#) [09692825723](#) [030-1954-000](#) [L17DM53744207](#)
[L17RRD1M11400](#) [030-1952-000](#) [030-1953-000](#) [030-1953-030](#) [132C11039X](#) [132J15019X](#) [132C15019X](#) [131A10029X](#) [8638PSC2006LF](#)
[8656453067LF](#) [86566520064LF](#) [L17DM537441](#) [L17DM537425001](#)