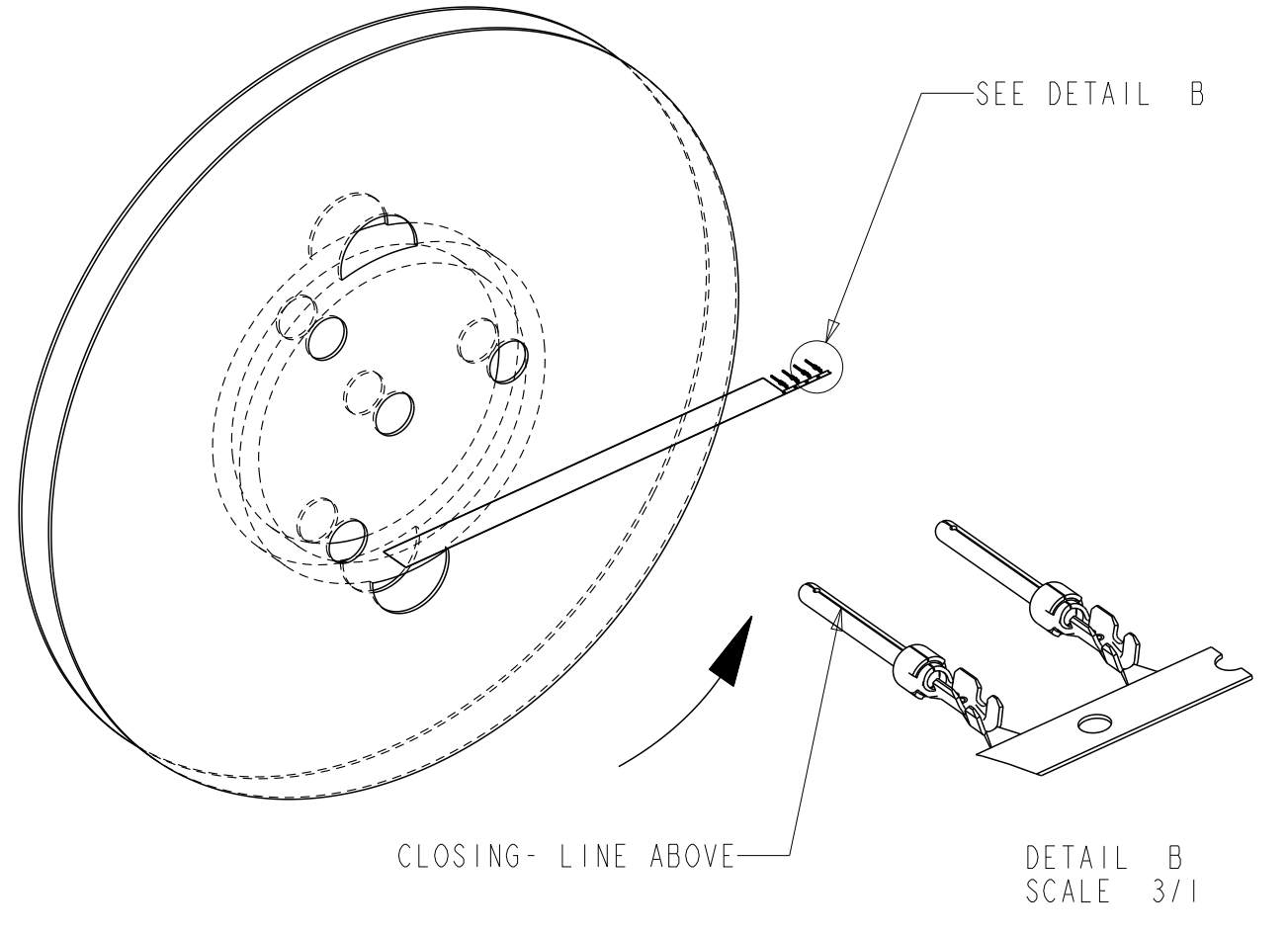
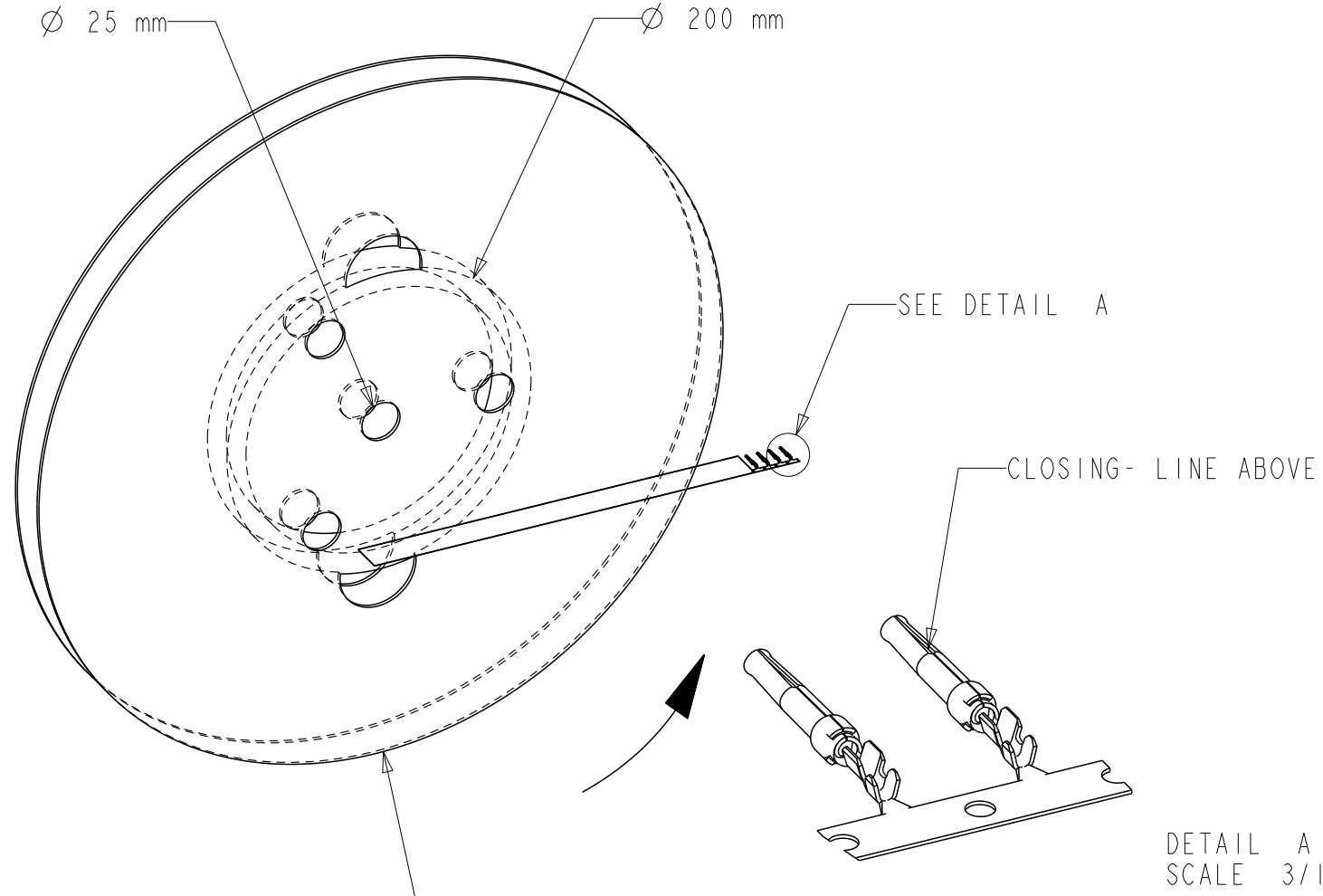


REFERENCE FOR REEL ACCORDING TO FEEDING DIRECTION

GAUGE	REEL OF 5000 FEMALE CONTACTS		REEL OF 10000 FEMALE CONTACTS		GAUGE	REEL OF 5000 PIN CONTACTS		REEL OF 10000 PIN CONTACTS	
	Part No.	Part No.	Part No.	Part No.		Part No.	Part No.	Part No.	Part No.
# 24-28	86566610064	86566610064LF	86566640064	86566640064LF	# 24-28	86564610064	86564610064LF	86564640064	86564640064LF
# 20-24	86566620064	86566620064LF	86566630064	86566630064LF	# 20-24	86564620064	86564620064LF	86564630064	86564630064LF
# 24-28	86566610065	86566610065LF	86566640065	86566640065LF	# 24-28	86564610065	86564610065LF	-----	
# 20-24	86566620065	86566620065LF	86566630065	86566630065LF	# 20-24	86564620065	86564620065LF	86564630065	86564630065LF
# 24-28	86566610067	86566610067LF	86566640067	86566640067LF	# 24-28	86564610067	86564610067LF	-----	
# 20-24	86566620067	86566620067LF	86566630067	86566630067LF	# 20-24	86564620067	86564620067LF	86564630067	86564630067LF



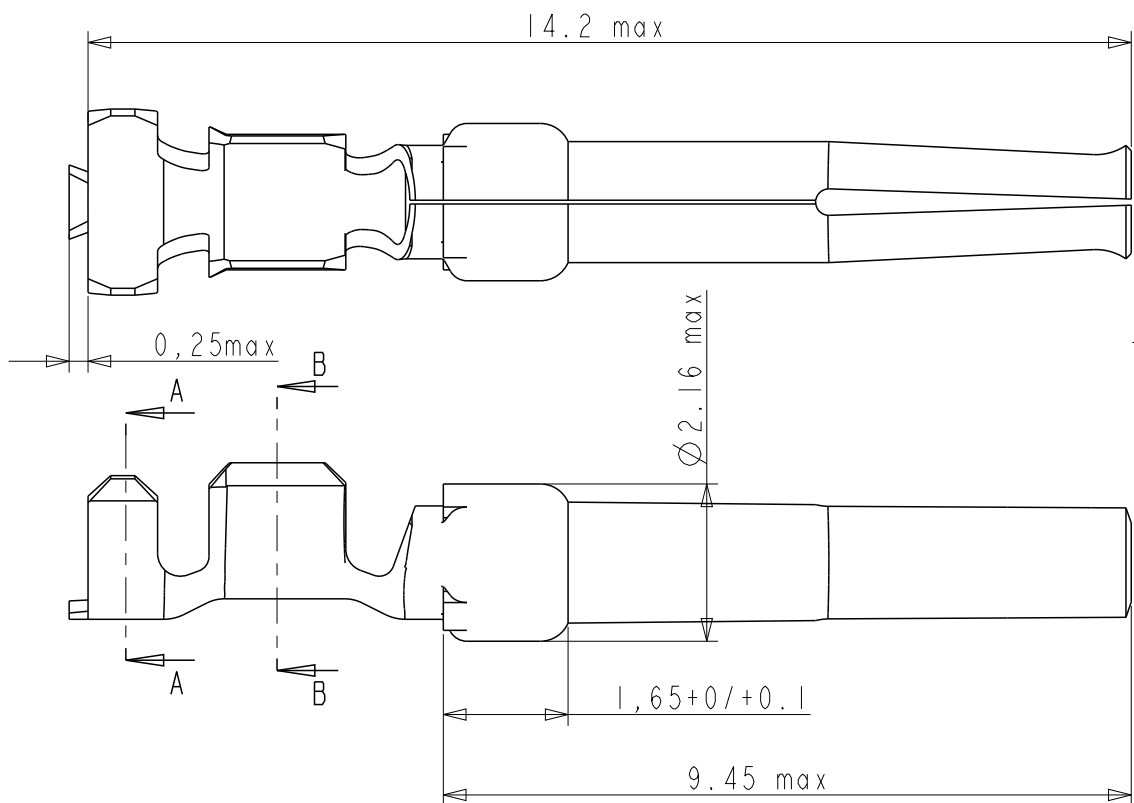
\varnothing 450 reel 5000cts
 \varnothing 600 reel 10 000cts

NOTE : ROHS INFORMATIONS
 The LF products meet European union directives and other country regulations as described in GS-22-008
 Terminations plating spec : 2um Nickel min + 2um Sn min
 Packaging Spec : see GS-14-920

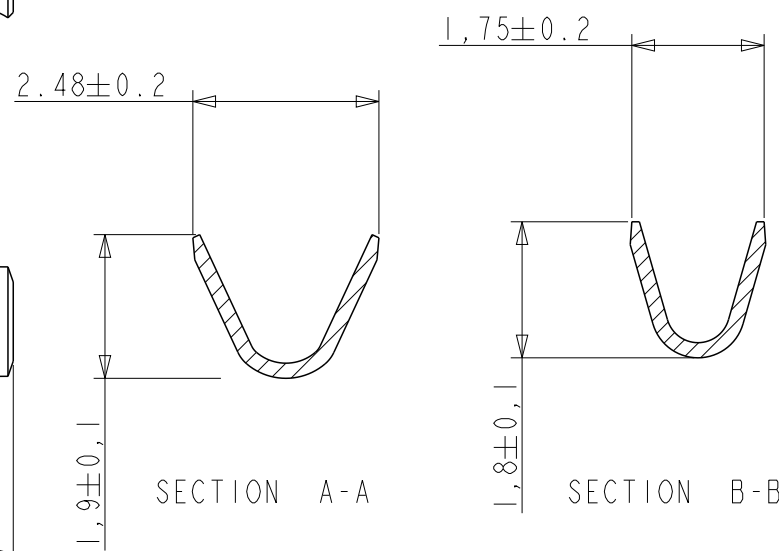
rev	ecn no	dr	date
D	LS3082	MPE	01/10/03
E	LS05-0094	LGO	18/10/05
F	LS06-0196	MPE	27/11/2006
G	LS08-0127	MPE	2008/05/13
H	109-0152	AMR	2009-07-27
J	110-0070	AMR	2010-03-09
K	111-0003	AMR	2011-01-06

www.fciconnect.com		surface - <input checked="" type="checkbox"/> ISO 1302	tolerance std ISO 406 ISO 1101	projection	mm
TOLERANCES UNLESS OTHERWISE SPECIFIED					
Dr	M PESSON	11/07/03	ANGULAR	0.X ±0.3	size A3
Eng	-	-	LINEAR	0.XX ±0.1	Scale 5/1
Chr	P LEGARE	11/07/03	0° ±2°	0.XXX ±0.05	ECN 111-0003
Appr	-	-	Product family	-	Spec ref -
		CRIMP PIN		dwg no	Rev.
		#Wire 24-28 Ø1.02		C01-8656-1527	K
		catalog no		CUSTOMER	sheet 1 of 2

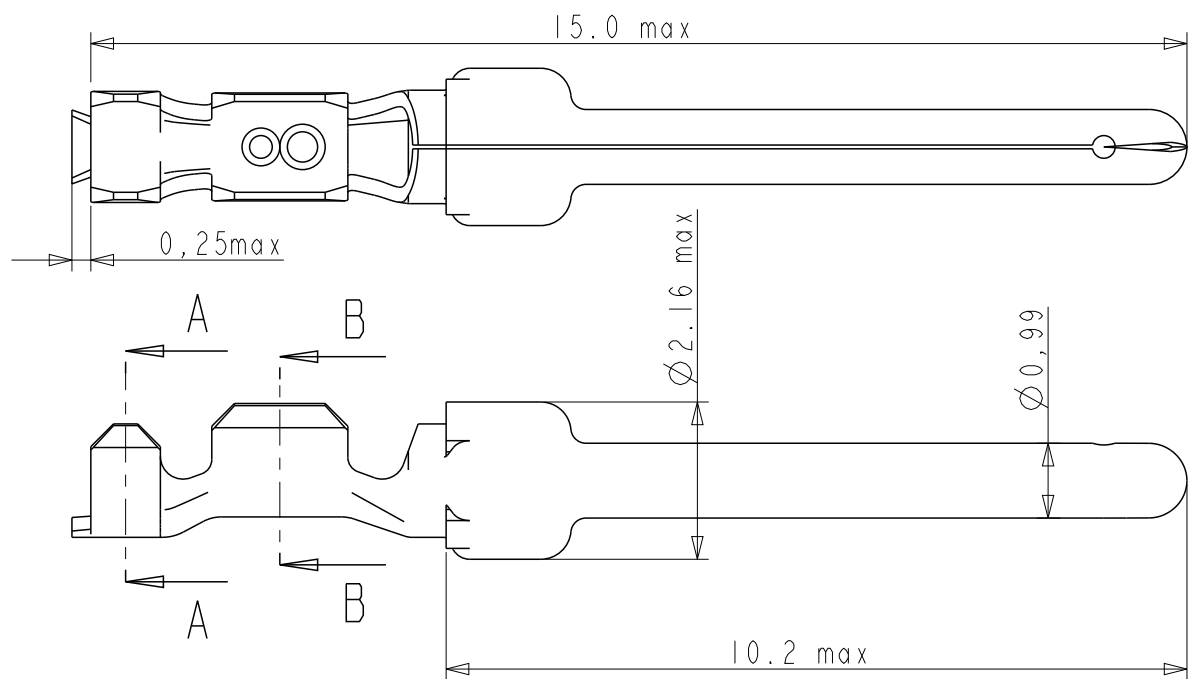
Copyright FCI.



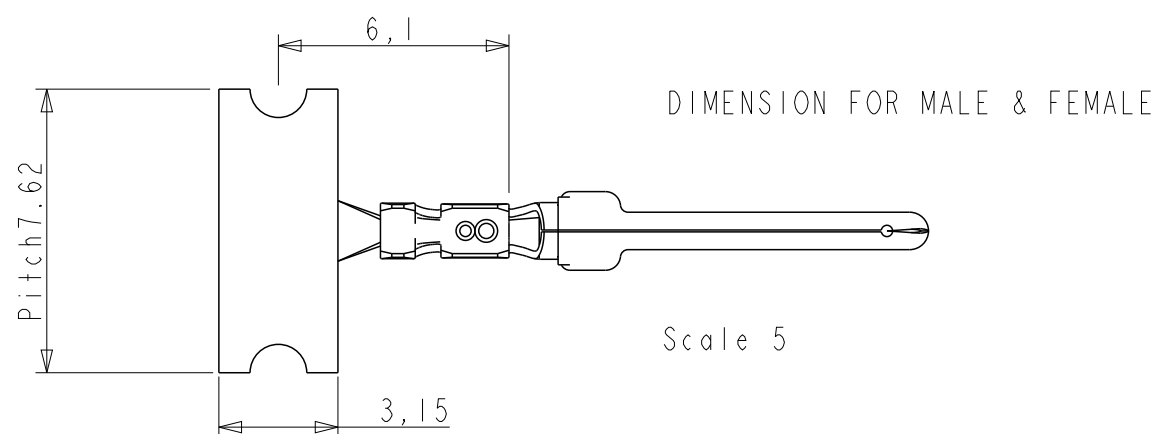
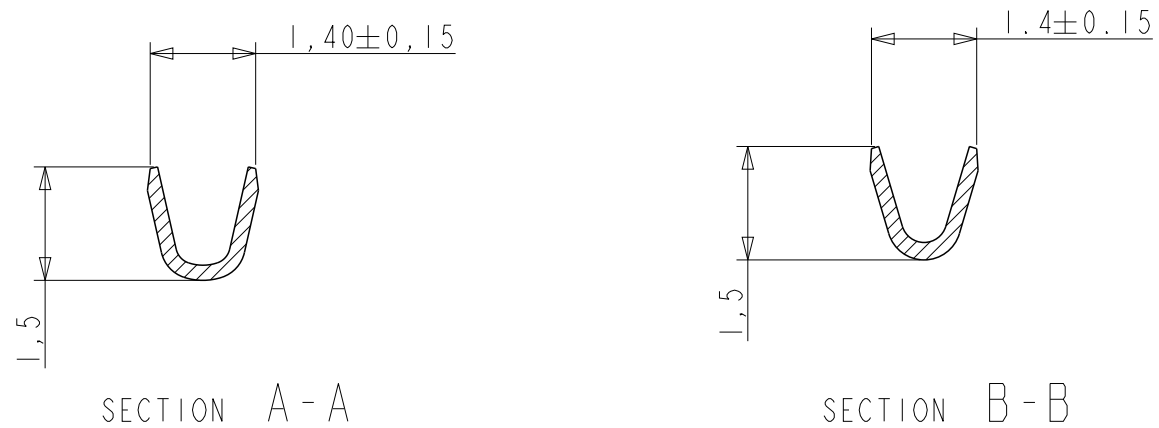
CROSS SECTION FOR CT #20-24



- NOTES
- 1- Material : Phosphor bronze, thickness 0.20
 - 2 -Finish on contact area : termination 064:gold flash
 terminaion 065:076μ Au / GXT
 termination 067:0,4μ Au / GXT
 finish on termination : bright tin over nickel
 - 3 -Wire range :20 to 28 AWG(see ref sheet 1/2)
 - 4 -Max outer dia of wire insulator:
 -1.73 mm for contact #20-24
 -1.02 mm for contact #24-28
 - 5 -Current carrying capacity per contact:
 5 Amps max when crimped to #20 AWG
 5 Amps max when crimped to #22 AWG
 3 Amps max when crimped to #24 AWG
 2 Amps max when crimped to #26 AWG
 1 Amps max when crimped to #28 AWG
 - 6 -After 5 insertions into connector, contact retention must be 5 pounds axial load min
 - 7 -When contact is crimped to 20 AWG, the insulation support crimped height must be 1.78 mm max to ensure a proper insertion into housing.
 - 8-Reel should be continous without any contacts missing in between
 - 9 -Packaging : Reel



CROSS SECTION FOR CT #24-28



www.fciconnect.com		surface - ✓ ISO 1302	tolerance std ISO 406 ISO 1101	projection ⊕ - ⊖	mm ↔
TOLERANCES UNLESS OTHERWISE SPECIFIED					
Dr	M PESSON	11/07/03	ANGULAR	0.X ±0.3	size A3
Eng	-	-	LINEAR	0.XX ±0.1	Scale 10/1
Chr	P LEGARE	11/07/03	0° ±2°	0.XXX ±0.05	ECN 111-0003
Appr	-	-	Product family	-	Spec ref -
FCi		title CRIMP PIN		dwg no C01-8656-1527	
		#Wire 24-28 Ø1.02		Rev. K	
		catalog no -		CUSTOMER sheet 2 of 2	

X-ON Electronics

Largest Supplier of Electrical and Electronic Components

Click to view similar products for [D-Sub Contacts](#) category:

Click to view products by [Amphenol](#) manufacturer:

Other Similar products are found below :

[173112-0723](#) [173112-0393](#) [173112-0389](#) [173112-0750](#) [173112-0912](#) [FMP009P104](#) [FMP010P104](#) [FMP010S104](#) [FMP016P104](#)
[FMP016S104](#) [FMP051S110](#) [FMX006S128B](#) [124C25029X](#) [131A11039X](#) [132A11019X](#) [132J22039X](#) [132A11029X](#) [132A12059X](#)
[132C12029X](#) [RMPIR01S02E2RLF](#) [DM53744-1](#) [1757912-1](#) [188582-000](#) [162A11839X](#) [162A11889X](#) [1757913-1](#) [FK20S18-02V_100](#)
[FMP006S110](#) [FMP009S104](#) [FMP139S115](#) [212558-1](#) [D02-22-26P-10000](#) [L17DM53744217](#) [D-610-10CS2820](#) [030-1955-000](#) [030-50634](#)
[053744-0098](#) [053744-0099](#) [053745-0105](#) [053745-0111](#) [601064N004](#) [601098N003](#) [6-745288-2](#) [D-610-10CS2962](#) [86303057NLF](#)
[DM537425001NCLF](#) [131A11019X](#) [173112-0045](#) [162A11819X](#) [1731120397](#)