

D-Sub Cable Connectors

Amphenol's D-Subminiature (D-Sub) connectors are part of an industry standard for applications requiring robust and reliable connectors. These proven D-Sub connectors are one of the most popular Input/Output interconnects, addressing a wide variety of applications in telecommunications, data, consumer, industrial, military, instrumentation and medical. Amphenol offers a wide range of D-Sub connectors to meet various design requirements including those in harsh environment.

These cable connectors are designed to act as input output connectors and mate with PCB connectors or another cable connector depending on the application. It comes with solder bucket and crimp terminations. Various associated accessories including Hoods and locking devices help to prevent risks of pulling up and accidental un-mating.



TARGET MARKETS



FEATURES

- A Basic I/O connector comes with five shell size and housing design
- Has a D-shaped shell design
- Meets DIN 41652 and MIL-C-24308 dimensional standards
- Available in Solder Bucket, Crimp terminations
- Frugal- D design (2 shells + 2 housings) with stamped & formed contacts
- Various PCB and Panel mounting accessory options available
- Hoods available in plastic, metalized and metallic form with locking screws
- Lead-free and RoHS compliant

BENEFITS

- Most popular Rugged and sturdy I/O connector
- Supports the need for polarisation
- Interchangeable and intermateable with other makes
- Support all Cable mounting requirements
- Economical solution
- Wide variety of choices for secure connection
- Supports cable connection; Prevents risks of pulling up and accidental un-mating
- Meets environmental, health and safety requirements

▶ D-Sub Cable Connectors

CRIMP CONTACTS AND CABLE CONNECTORS



UL RECOGNISED FILE E 66906

- 8656 series is a D connector with removable crimp contacts for AWG 20/24 or 24/28 wires
- It is used for commercial cabling like computer equipment, cash register
- It accepts our standard accessories (hoods, locking devices) and is available with a complete range of crimping tools from hand tools to high volume production equipment



PART NUMBER SELECTOR – CRIMP CONNECTOR HOUSING (W/O CONTACTS)

| 8656 | 09 | P | L | T | X | LF | |
|-----------------------------------|---------------------|-----------------|----------|--|-----------------------------|---------|-----------|
| SERIES | LOCKING ACCESSORIES | NO. OF CONTACTS | CONTACTS | L | SHELL PLATING | DIMPLES | LEAD-FREE |
| 8656 | | 09 | | | Standard on male shell only | X | Lead Free |
| Standard mounting hole (Ø = 3.10) | Blank | 15 | | Standard tin plated | T | | |
| Threaded insert UNC 4-40 | O | 25 | | Supplied without contacts (obligatory) | | | |
| Female screw (Hexagonal) UNC 4-40 | V | 37 | | Pin | P | | |
| | | 50 | | Socket | S | | |

PART NUMBER SELECTOR – CRIMP CONTACTS

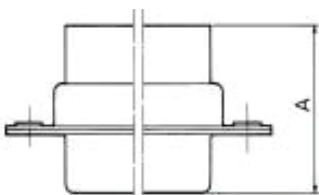
| Contact Type | Packaging Type | | |
|------------------|-----------------------|------------------------|-------------------------|
| | Box of 500 Contacts ✓ | Reel of 400 Contacts R | Reel of 5000 Contacts ✓ |
| AWG 24/28 male | 865635006 Δ | 8656300306 Δ | 8656451006 Δ |
| AWG 24/28 female | 865635106 Δ | 8656300406 Δ | 8656651006 Δ |
| AWG 20/24 male | 865635206 Δ | 8656300506 Δ | 8656452006 Δ |
| AWG 20/24 female | 865635306 Δ | 8656300606 Δ | 8656652006 Δ |

Δ Contact performance code

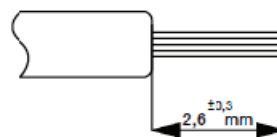
4LF: ≥200 mating/unmating, RoHS compatible

5LF: ≥500 mating/unmating, RoHS compatible

SPECIFIC DIMENSIONS



CABLE PREPARATION



| Contacts | 09 | 15 | 25 | 37 | 50 |
|-----------------------|-------|-------|-------|-------|-------|
| A _{Max.} Pin | 17.19 | 17.19 | 17.35 | 17.35 | 17.35 |
| Socket | 17.44 | 17.44 | 17.44 | 17.44 | 17.44 |

▶ D-Sub Cable Connectors

MIXED AND FULL POWER CABLE CONNECTORS

LAYOUTS

- Male insulator front view

| Shell size | | Layout |
|------------|------|--------|
| E | 5W1 | |
| | 11W1 | |
| A | 7W2 | |
| | 3W3 | |
| | 3V3 | |
| | 21W1 | |
| B | 17W2 | |
| | 13W3 | |
| | 9W4 | |
| | 5W5 | |

| Shell size | | Layout |
|------------|-------|--------|
| C | 25W3 | |
| | 21WA4 | |
| | 27W2 | |
| | 8W8 | |
| | 47W1 | |
| D | 24W7 | |
| | 36W4 | |

- Standard contacts
- Coaxial and power contacts

MIXED AND FULL POWER CABLE CONNECTORS

UL [®] RECOGNISED FILE E66906



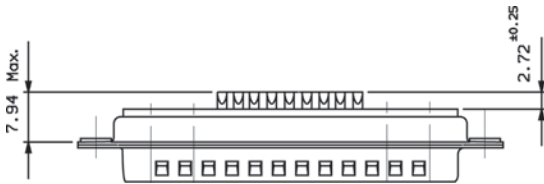
ORDERING INFORMATION

| D | B | L | 13 | W | 3 | P | | | A | 00LF | | | | | | | | | | | | | | | | | | | | | |
|---|---|----------|--------------------|----------|----------|----------|--|--|--------------------------|-----------------|------------------|--|---------------------|-------|---------------------|----|--|-------------|-------|---|---|---|---|---|----------------|---|---|---|---|---|---|
| Series | Shell size (tin plated): E, A, B, C, D | | Layout of contacts | | | Contacts | | | Without accessory on PCB | RoHS compatible | | | | | | | | | | | | | | | | | | | | | |
| <table border="1"> <thead> <tr> <th colspan="7">Mounting Options</th> </tr> <tr> <th>Description</th> <th>Blank</th> <th>L</th> <th>O</th> <th>I</th> <th>V</th> <th>F</th> </tr> </thead> <tbody> <tr> <td>Solder buckets</td> <td>X</td> <td>X</td> <td>X</td> <td>X</td> <td>X</td> <td>X</td> </tr> </tbody> </table> | | | | | | | | | | | Mounting Options | | | | | | | Description | Blank | L | O | I | V | F | Solder buckets | X | X | X | X | X | X |
| Mounting Options | | | | | | | | | | | | | | | | | | | | | | | | | | | | | | | |
| Description | Blank | L | O | I | V | F | | | | | | | | | | | | | | | | | | | | | | | | | |
| Solder buckets | X | X | X | X | X | X | | | | | | | | | | | | | | | | | | | | | | | | | |
| <table border="1"> <thead> <tr> <th colspan="2">Durability</th> </tr> </thead> <tbody> <tr> <td>200 mating/unmating</td> <td>Blank</td> </tr> <tr> <td>500 mating/unmating</td> <td>43</td> </tr> </tbody> </table> | | | | | | | | | | | Durability | | 200 mating/unmating | Blank | 500 mating/unmating | 43 | | | | | | | | | | | | | | | |
| Durability | | | | | | | | | | | | | | | | | | | | | | | | | | | | | | | |
| 200 mating/unmating | Blank | | | | | | | | | | | | | | | | | | | | | | | | | | | | | | |
| 500 mating/unmating | 43 | | | | | | | | | | | | | | | | | | | | | | | | | | | | | | |
| <table border="1"> <thead> <tr> <th colspan="2">Termination Type</th> </tr> </thead> <tbody> <tr> <td>Solder bucket</td> <td>Blank</td> </tr> </tbody> </table> | | | | | | | | | | | Termination Type | | Solder bucket | Blank | | | | | | | | | | | | | | | | | |
| Termination Type | | | | | | | | | | | | | | | | | | | | | | | | | | | | | | | |
| Solder bucket | Blank | | | | | | | | | | | | | | | | | | | | | | | | | | | | | | |

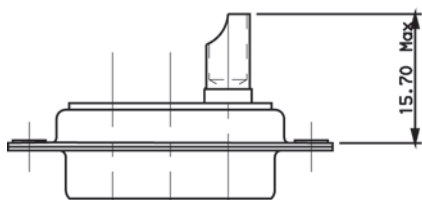
X: Available
 Blank: without accessory
 L: Threaded insert M3
 O: Threaded insert UNC 4-40
 V: Female screw UNC 4-40

SPECIFIC DIMENSIONS

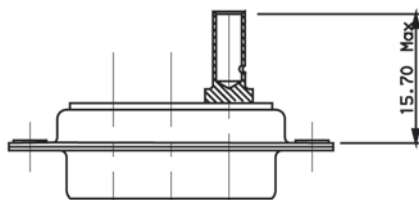
Solder Bucket



Solder version



Crimp version

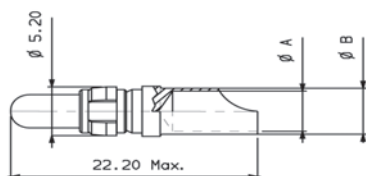


▶ D-Sub Cable Connectors

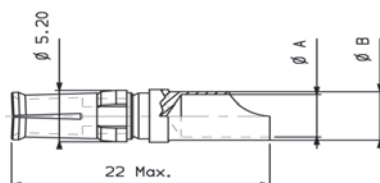
POWER SOLDER AND CRIMP CONTACTS

SOLDER CONTACTS

Male



Female



| Type | Max. Current Rating | Clip Colour | RoHS* Part Number ≥200 mating/ unmating | RoHS* Part Number ≥500 mating/ unmating | Wire | | Strip length mm ^{±0.5} | Ø A +0.1 +0 | Ø B +0.5 |
|--------|---------------------|-------------|---|---|------|----------------------------|------------------------------------|----------------|----------|
| | | | | | Size | Section mm ² | | | |
| Male | 10A | Black | 8638PPS1005LF | 8638PPS1006LF | 16 | 1.3 | 7 | 1.7 | 2.6 |
| Male | 15A | White | 8638PPS1505LF | 8638PPS1506LF | 14 | 1.9 | 7 | 2.1 | 3 |
| Male | 20A | Red | 8638PPS2005LF | 8638PPS2006LF | 12 | 3.2 | 7 | 2.8 | 3.65 |
| Male | 40A | Blue | 8638PPS4005LF | 8638PPS4006LF | 8 | 9 | 7 | 4.4 | 5 |
| Female | 10A | Black | 8638PSS1005LF | 8638PSS1006LF | 16 | 1.3 | 7 | 1.7 | 2.6 |
| Female | 15A | White | 8638PSS1505LF | 8638PSS1506LF | 14 | 1.9 | 7 | 2.1 | 3 |
| Female | 20A | Red | 8638PSS2005LF | 8638PSS2006LF | 12 | 3.2 | 7 | 2.8 | 3.65 |
| Female | 40A | Blue | 8638PSS4005LF | 8638PSS4006LF | 8 | 9 | 7 | 4.4 | 5 |

Clip material: Plastic withstanding 125°C

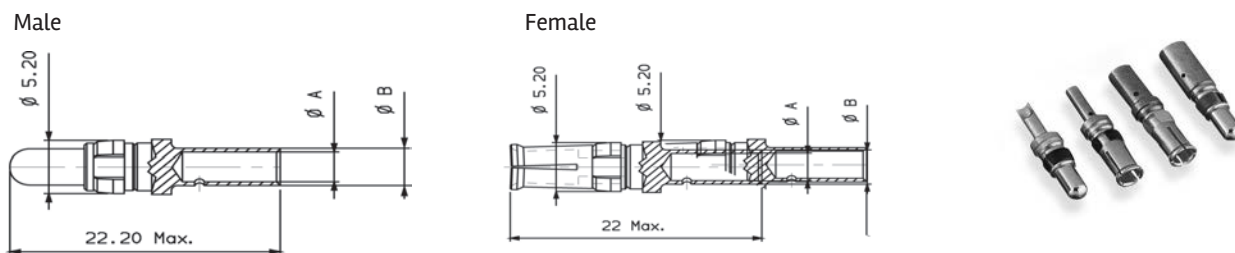
Termination plating: Matt tin

*RoHS compatible EU directive 2002/95/EC

▶ D-Sub Cable Connectors

POWER SOLDER AND CRIMP CONTACTS

CRIMP CONTACTS



| Type | Max. Current Rating | Clip Colour | RoHS* Part Number ≥200 mating/ unmating | RoHS* Part Number ≥500 mating/ unmating | Wire | | Strip length mm ^{±0.5} | Ø A +0.1 +0 | Ø B +0.5 |
|--------|---------------------|-------------|---|---|----------|----------------------------|------------------------------------|----------------|----------|
| | | | | | Size | Section mm ² | | | |
| Male | 10A | Black | 8638PPC1005LF | 8638PPC1006LF | 16 to 18 | 0.9 to 1.3 | 7 | 1.8 | 2.55 |
| Male | 15A | White | 8638PPC1505LF | 8638PPC1506LF | 12 to 14 | 2 to 3 | 7 | 2.8 | 3.7 |
| Male | 20A | Red | 8638PPC2005LF | 8638PPC2006LF | 9 | 6 | 7 | 3.75 | 4.65 |
| Male | 40A | Blue | 8638PPC4005LF | 8638PPC4006LF | 8 to 10 | 5 to 8 | 7 | 4.8 | 5.5 |
| Female | 10A | Black | 8638PSC1005LF | 8638PSC1006LF | 16 to 18 | 0.9 to 1.3 | 7 | 1.8 | 2.55 |
| Female | 15A | White | 8638PSC1505LF | 8638PSC1506LF | 12 to 14 | 2 to 3 | 7 | 2.8 | 3.7 |
| Female | 20A | Red | 8638PSC2005LF | 8638PSC2006LF | 9 | 6 | 7 | 3.75 | 4.65 |
| Female | 40A | Blue | 8638PSC4005LF | 8638PSC4006LF | 8 to 10 | 5 to 8 | 7 | 4.8 | 5.4 |

Clip material: Plastic withstanding 125°C

Termination plating: Matt tin

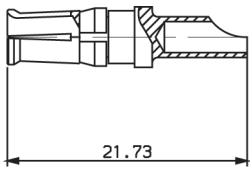
*RoHS compatible EU directive 2002/95/EC

► D-Sub Cable Connectors

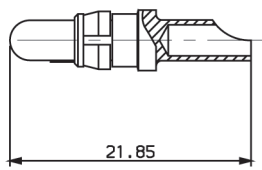
CONTACTS (OTHER VERSIONS)

POWER CONTACTS – METAL CLIP

Female



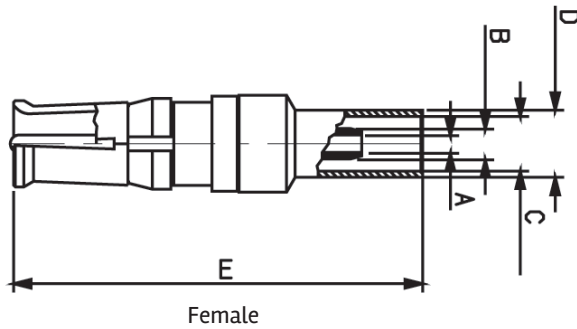
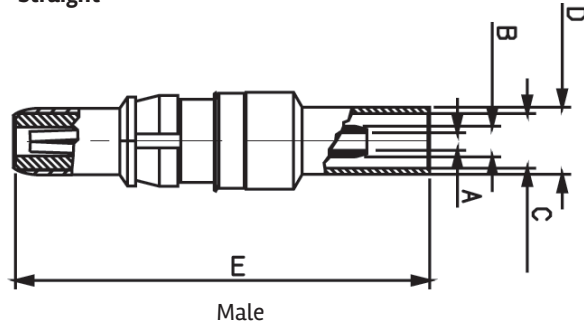
Male



| Wire Size | Max. Current | Part Numbers | |
|-----------|--------------|--------------|-------------|
| | | Male | Female |
| AWG8 | 40A | 86303098NLF | 86303099NLF |
| AWG12 | 20A | 86303056NLF | 86303057NLF |
| AWG14 | 15A | 86303060NLF | 86303061NLF |
| AWG16 | 10A | 86303064NLF | 86303065NLF |

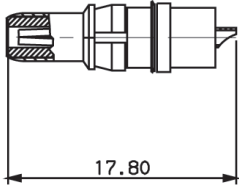
COAXIAL CONTACTS

Straight

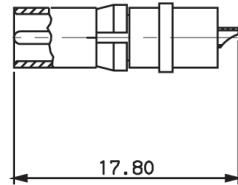


HIGH VOLTAGE CONTACTS

Male 86382000LF



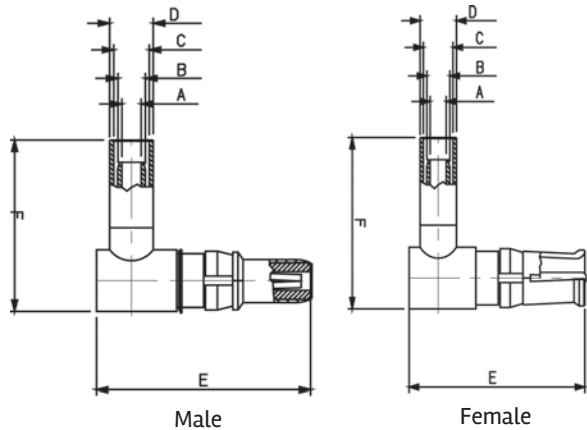
Female 86382001LF



Colors: Blue

White

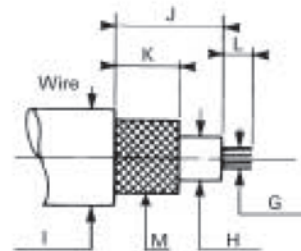
Angled



These removable contacts are suitable for the contact cavities of the DMW series and DW series.

The coaxial contacts are in compliance with:

- NFC 93569
- KMX4 specification



▶ D-Sub Cable Connectors

TECHNICAL INFORMATION

ELECTRICAL PERFORMANCE

- Dielectric Withstanding Voltage: 2800V RMS
- Break Down Voltage: 3200V RMS
- Insulation Resistance: $10^6 M\Omega$
- Contact Resistance: $\leq 5 m\Omega$
- Max. Current Rating: 5A
- Material: TEFLON

ENVIRONMENTAL

- Operating temperature range: $-55^{\circ} C$ to $+125^{\circ} C$

MECHANICAL PERFORMANCE

- Mating force per set of contact: 3 N
- Mating endurance: 200

TARGET MARKETS/APPLICATIONS



Asymmetric Digital Subscriber Line (ADSL)
Base Station
Switching
Transmission



Set-top Box



Desktop and Laptop
Storage System
Router and Server



Automotive Diagnostics
Control Drives
Energy Meter
Gaming Machine
Test Equipment
Office Automation
POS & Handheld terminal
Power Supplies
Parking Meter
Printer and Copier
Renewable Energy
Robotics
Surveillance Camera



Medical Instrument



Avionics
Military Equipment

X-ON Electronics

Largest Supplier of Electrical and Electronic Components

Click to view similar products for [D-Sub Contacts](#) category:

Click to view products by [Amphenol](#) manufacturer:

Other Similar products are found below :

[D02-22-26S-10000](#) [8656352067LF](#) [131A15029X](#) [132J22039X](#) [132A11029X](#) [132A11049X](#) [132A12059X](#) [1757912-1](#) [188582-000](#)
[162A11889X](#) [1757913-1](#) [212558-1](#) [030-1955-000](#) [053744-0098](#) [053744-0099](#) [053745-0105](#) [053745-0111](#) [601098N003](#) [D-610-10CS2962](#)
[86303057NLF](#) [131A11019X](#) [162A11819X](#) [40-9854MP](#) [1-208778-5](#) [FC120N2](#) [MC7526D/AA](#) [MC8122D/AA](#) [FC4010D-15](#) [FC4006D](#)
[121A05329A](#) [164C16669X](#) [86566620064LF](#) [131A13019X](#) [DLS3XS5AK40X](#) [09692825723](#) [030-1954-000](#) [L17DM53744207](#)
[L17RRD1M11400](#) [030-1952-000](#) [030-1953-000](#) [030-1953-030](#) [132C11039X](#) [132J15019X](#) [132C15019X](#) [132A10039X](#) [131A10029X](#)
[8638PSC2006LF](#) [8656453067LF](#) [86566520064LF](#) [L17DM537441](#)