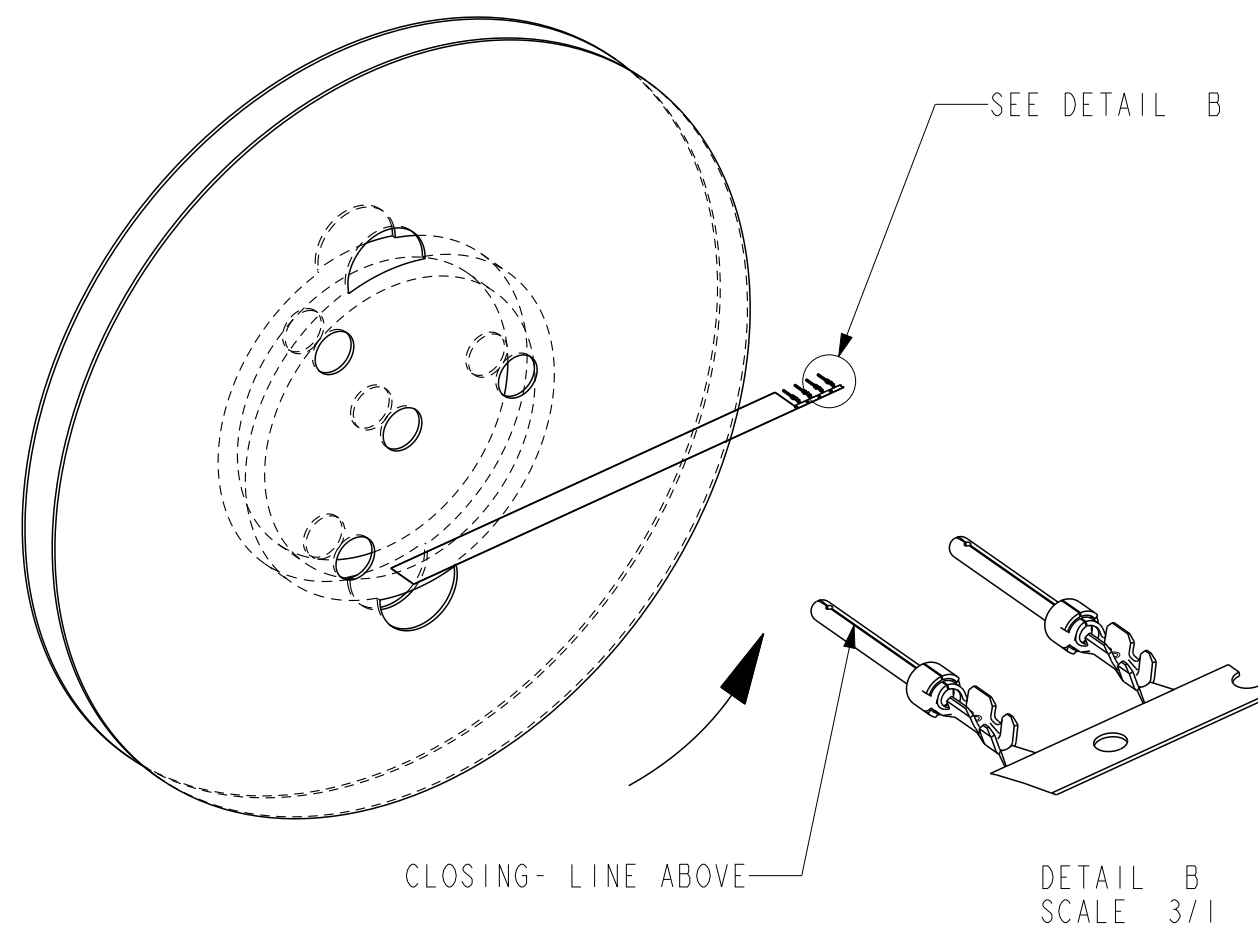
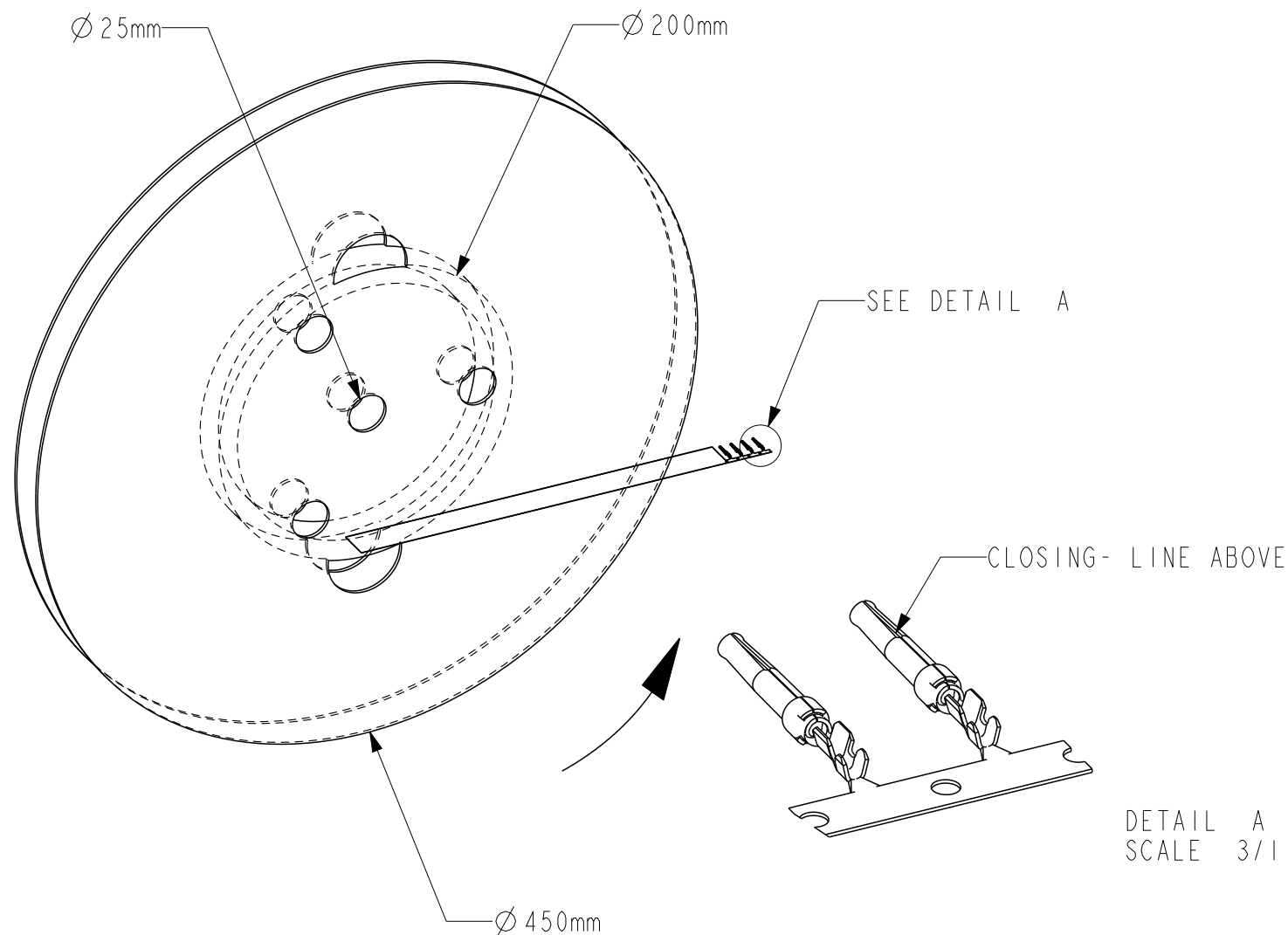


# REFERENCE FOR REEL ACCORDING TO FEEDING DIRECTION

GAUGE	REEL OF 5000 FEMALE CONTACTS	GAUGE	REEL OF 5000 PIN CONTACTS
# 24-28	86566610064LF	# 24-28	86564610064LF
# 20-24	86566620064LF	# 20-24	86564620064LF
# 24-28	86566610065LF	# 24-28	86564610065LF
# 20-24	86566620065LF	# 20-24	86564620065LF
# 24-28	86566610067LF	# 24-28	86564610067LF
# 20-24	86566620067LF	# 20-24	86564620067LF

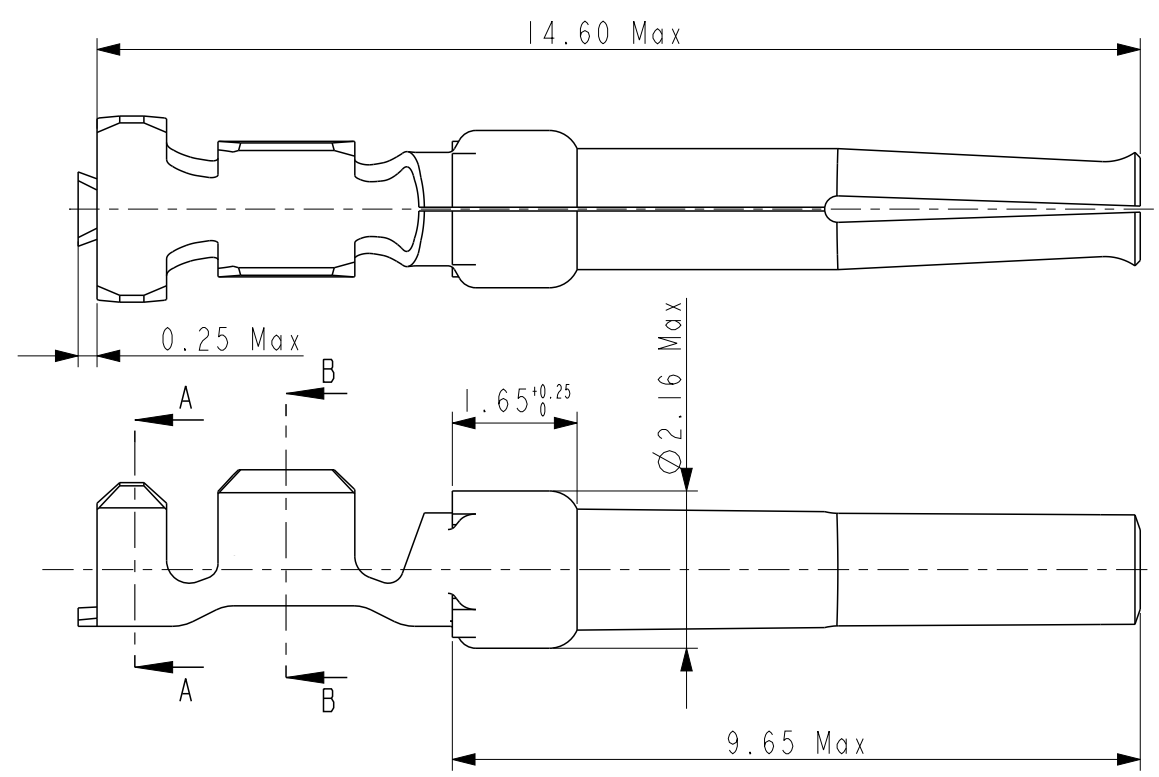


Amphenol  
FCi

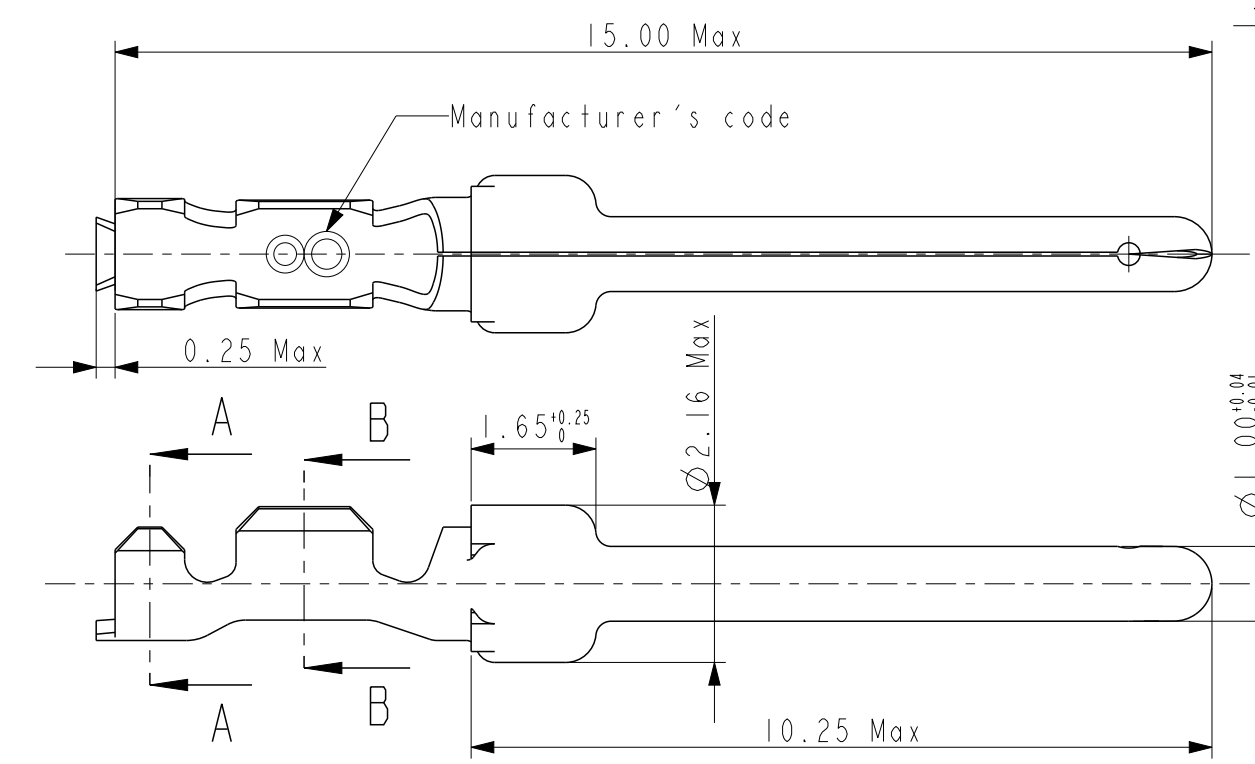
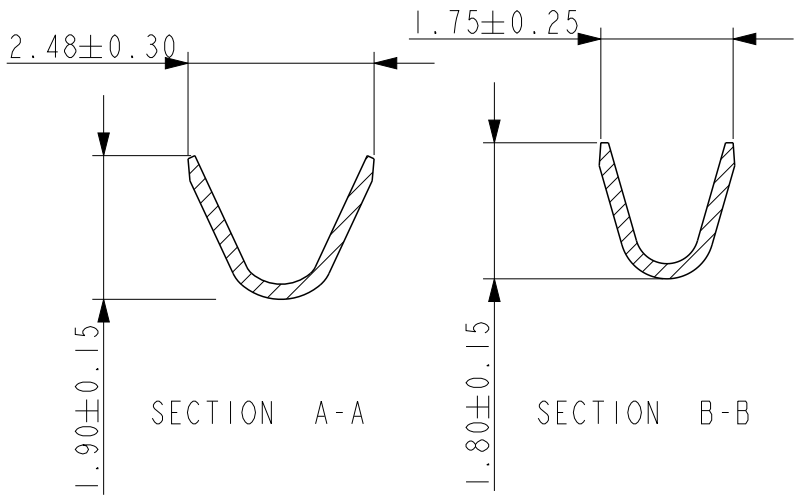
© 2016 AFCI

NOTE : ROHS INFORMATIONS  
 The LF products meet European union directives and other country regulations as described in GS-47-0004  
 Terminations plating spec : 1.3um Nickel min + 1.3um Sn min  
 Packaging Spec : see GS-14-920

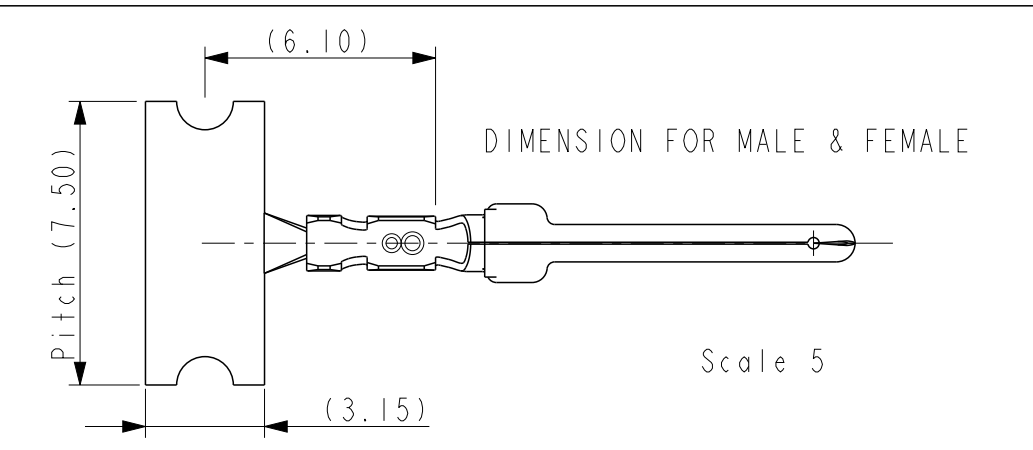
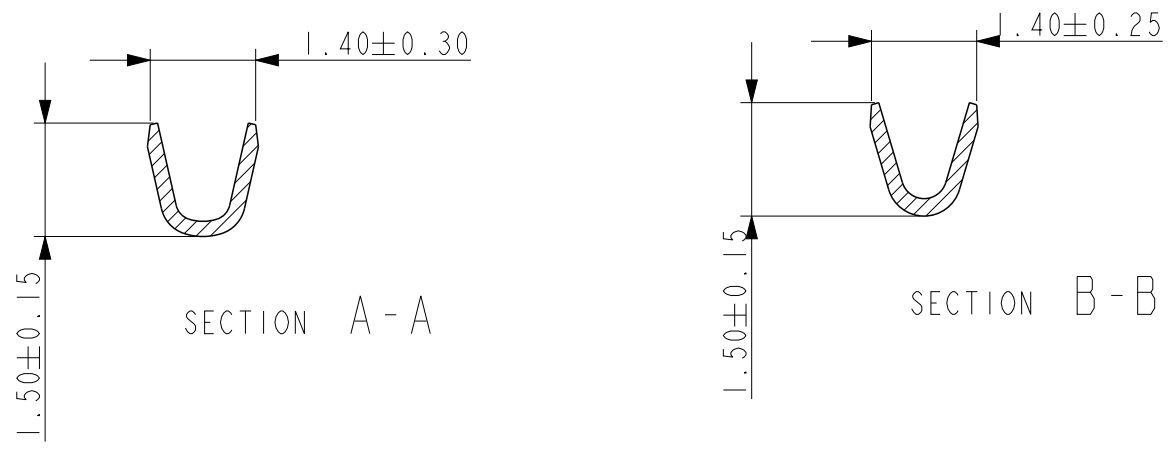
spec ref	-	dr	P-Mathew Nebu	2011/05/17	projection	mm	size	A3	scale	4/15	
tolerance std	ISO 406 ISO 1101	eng	Paul Mithun	2019/03/18			ecn no	ELX-I-32091-1			
TOLERANCES UNLESS OTHERWISE SPECIFIED		chr	-	-			rel level	Released			
surface	linear	appr	K-Paul Biju	2019/03/19	product family	- 8656	dwg no	C01-8656-1527		rev	L
ISO 1302	angular			cat. no.	-	Product - Customer Drw	sheet 1 of 2				



CROSS SECTION  
FOR CT #20-24



CROSS SECTION  
FOR CT #24-28



- NOTES
- 1- Material : Phosphor bronze, thickness 0.20
  - 2 -Finish on contact area : termination 064:gold flash  
termination 065:076μ Au / GXT  
termination 067:0,4μ Au / GXT  
finish on termination : Tin over Nickel
  - 3 -Wire range :20 to 28 AWG(see ref sheet 1/2)
  - 4 -Max outer dia of wire insulator:  
-1.52 mm max for contact #20-24  
-1.02 mm max for contact #24-28
  - 5 -Current carrying capacity per contact:  
5 Amps max when crimped to #20 AWG  
5 Amps max when crimped to #22 AWG  
3 Amps max when crimped to #24 AWG  
2 Amps max when crimped to #26 AWG  
1 Amps max when crimped to #28 AWG
  - 6 -After 5 insertions into connector,  
contact retention must be 5 pounds axial load min
  - 7 -When contact is crimped to 20 AWG, the insulation  
support crimped height must be 1.78 mm max to ensure  
a proper insertion into housing.
  - 8-Reel should be continuous without any contacts  
missing in between
  - 9 -Packaging : 5000 Contacts Per Reel

spec ref	-	dr	P-Mathew Nebu	2011/05/17	projection	mm	size	A3	scale	10/1	
tolerance std	ISO 406 ISO 1101	eng	Paul Mithun	2019/03/18			ecn no	ELX-I-32091-1			
surface	linear	chr	-	appr			K-Paul Biju	2019/03/19	product family	-	rel level
	angular	0°	±0.3	±0.1			cat. no.	-	Product - Customer Drw	sheet 2 of 2	
			0.X	±0.3	CRIMP PIN & SOCKET 20-28AWG, 5000 Reel Qty		dwg no	C01-8656-1527		rev	L
			0.XX	±0.1							
			0.XXX	±0.05							
			ISO 1302	0°	±2°						

## X-ON Electronics

Largest Supplier of Electrical and Electronic Components

*Click to view similar products for [Amphenol manufacturer](#):*

Other Similar products are found below :

[PT01SE-16-8P\(027\)](#) [PT01SE-16-8P\(476\)](#) [CTV06RW-11-2JB-LC](#) [97-3108A-22-14P](#) [10-474017-10P](#) [MS27473P14B18S](#) [TV06RW-25-90AE](#)  
[CTVS06RF-25-46PB-LC](#) [PT02E10-2PW](#) [PT02E10-2PX](#) [97-3106A18-3PX-958](#) [97-3106A18-3PY-958](#) [PT06J20-24SW](#) [TV06RL-13-35AD](#)  
[TV06RL-13-98BD](#) [TV06RW-25-46AE](#) [TV06RL-13-35SD-LC](#) [TV06RL-13-35SD](#) [TV06RL-13-98SD-LC](#) [TV06RL-13-98SD](#) [TVP00RW-23-](#)  
[53AD](#) [PT02E10-2PW-025](#) [100-007-213-002-001](#) [2M805-002-16NF23-12PA](#) [97-3108B16S-5PW-417](#) [97-3108B16S-5PY-417](#) [CS-](#)  
[DSDMDB37MF-025](#) [97-3108B16S-5PZ-417](#) [GTC02R32-17S-025-RDS](#) [PT06SE2041P](#) [CF-5A9013-04N](#) [CF-6A4615-06N](#) [GTC02R32-17S-](#)  
[025-RDS-LC](#) [GTC02R32-17S-025-LC](#) [PT06SE-24-61P\(LC\)](#) [SP28W1F](#) [TV07DT-25-37P](#) [TV07DT-25-37JN-LC](#) [TV07DT-25-37S](#) [TV07DT-](#)  
[25-37S-LC](#) [TV07DT-25-46P-LC](#) [97-3101A20-21P-958](#) [TV07DT-25-90P-LC](#) [TV07DT-25-46A](#) [TV07DT-25-37P-LC](#) [GTS08-36-22PZ-025-](#)  
[B30](#) [PT00SP2241P](#) [CTVPS00RF-15-15AC](#) [LJT06RT-15-35PB\(023\)](#) [TVS07RF-15-15AB](#)