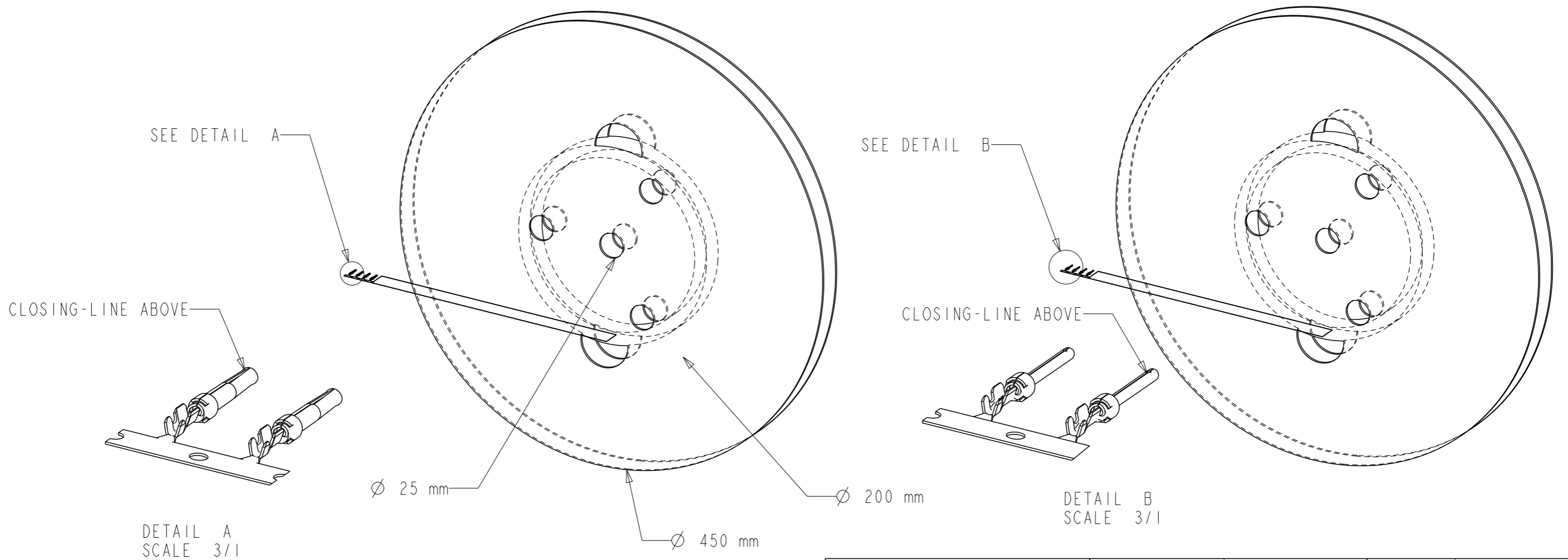


REFERENCE FOR REEL ACCORDING TO FEEDING DIRECTION

GAUGE	REEL OF 5000 FEMALE CONTACTS		REEL OF 10000 FEMALE CONTACTS	GAUGE	REEL OF 5000 PIN CONTACTS		REEL OF 10000 PIN CONTACTS
# 24-28	86566710064	86566710064LF	-----	# 24-28	86564710064	86564710064LF	-----
# 20-24	86566720064	86566720064LF	-----	# 20-24	86564720064	86564720064LF	-----
# 24-28	86566710065	86566710065LF	-----	# 24-28	86564710065	86564710065LF	-----
# 20-24	86566720065	86566720065LF	-----	# 20-24	86564720065	86564720065LF	-----
# 24-28	86566710067	86566710067LF	-----	# 24-28	86564710067	86564710067LF	-----
# 20-24	86566720067	86566720067LF	-----	# 20-24	86564720067	86564720067LF	-----



NOTE : ROHS INFORMATIONS
 The LF products meet European union directives and other country regulations as described in GS-22-008
 Terminations plating spec : 2um Nickel min + 2um Sn min
 Packaging Spec : see GS-14-920

rev	ecn no	dr	date
E	LS06-196	MPE	27/11/2006
F	LS08-0127	MPE	2008/05/13
G	109-0152	AMR	2009-07-27
H	110-0070	AMR	2010-03-09
J	111-0003	AMR	2011-01-06
-	-	-	-
-	-	-	-

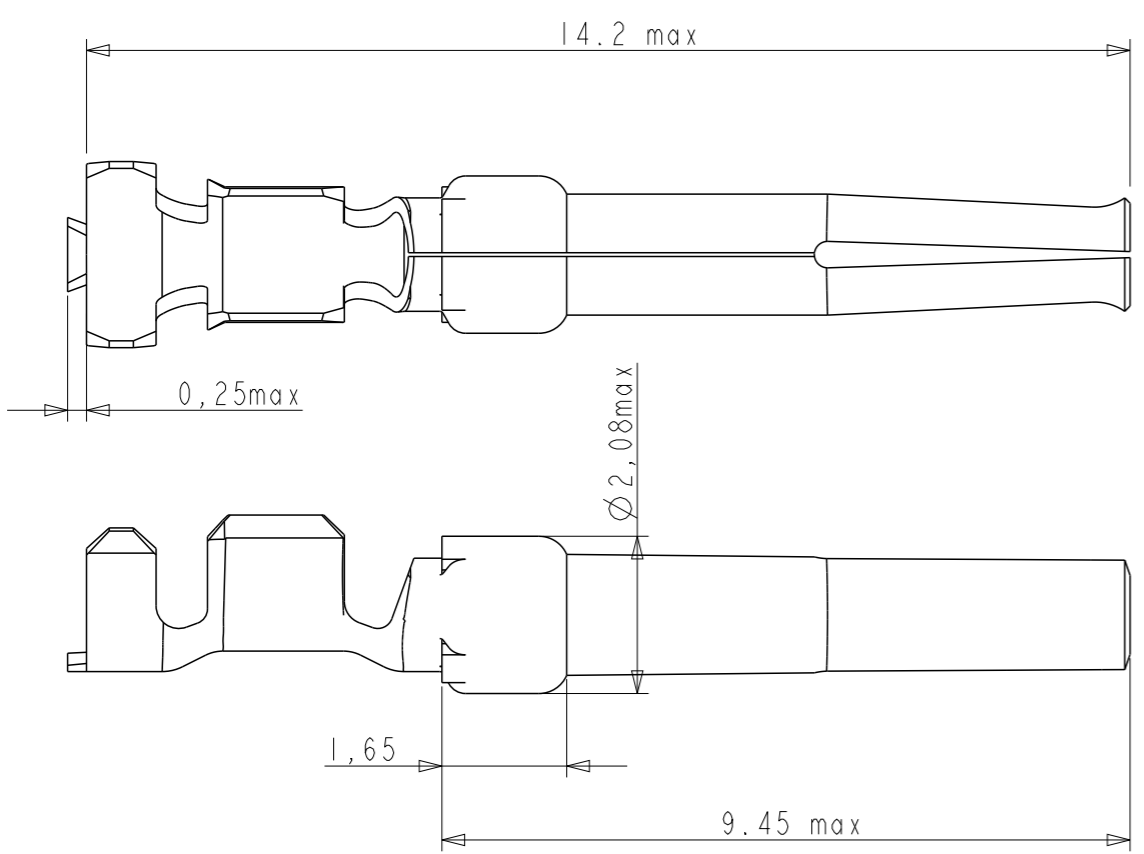
www.fciconnect.com		surface - <input checked="" type="checkbox"/> ISO 1302	tolerance std ISO 406 ISO 1101	projection	mm
TOLERANCES UNLESS OTHERWISE SPECIFIED					
Dr	C JARRY	13/05/02	ANGULAR	size A3	Scale 5/1
Eng	-	-	LINEAR	ECN 111-0003	
Chr	-	-	0° ±2°	Spec ref -	
Appr	-	-	Product family	8656	
			CRIMP CONTACTS		Rev. J
			dwg no	C01-8656-1525	
			customer	sheet 1 of 2	

1

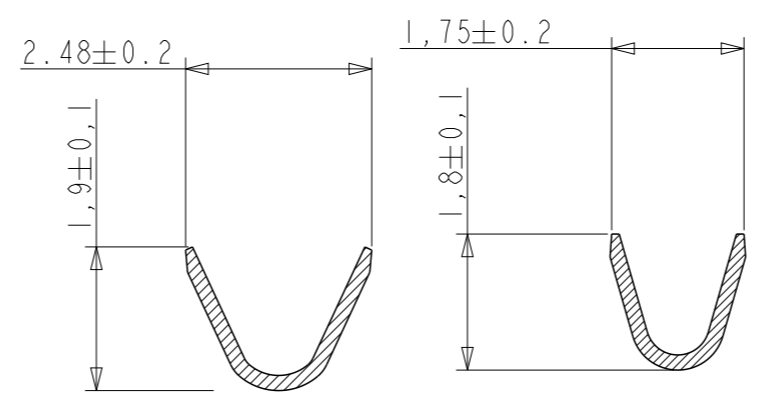
2

3

4



CROSS SECTIONS
FOR CT #20-24

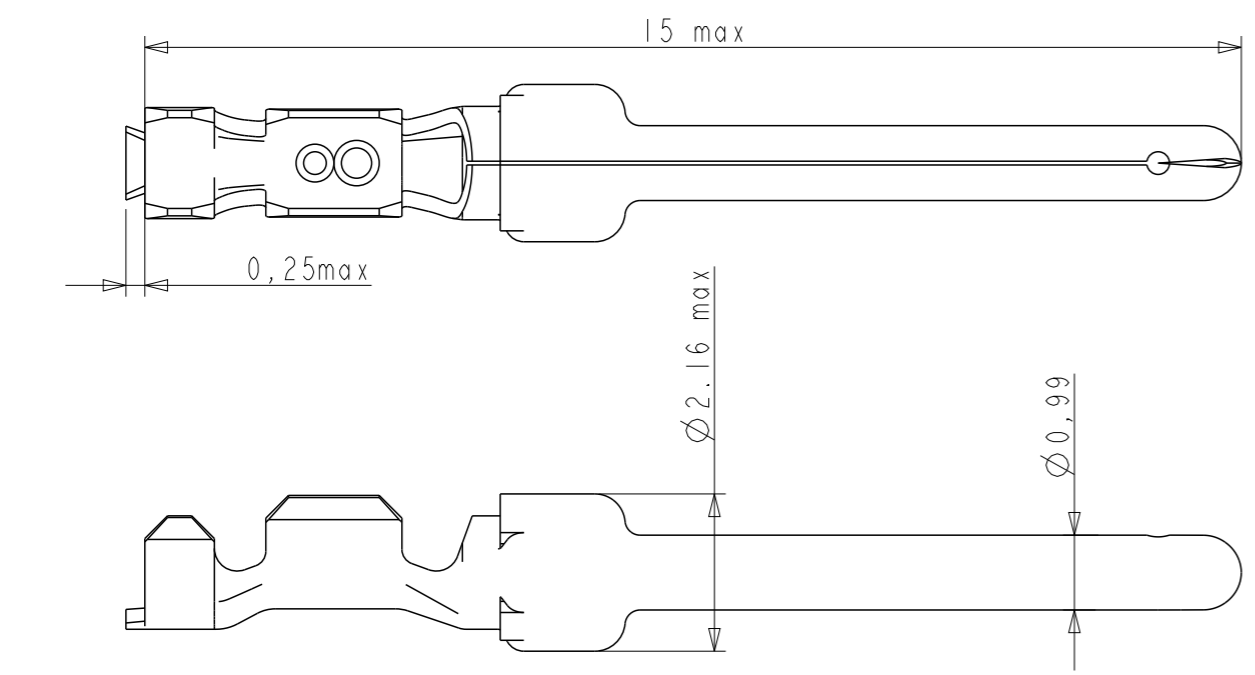


SECTION A-A

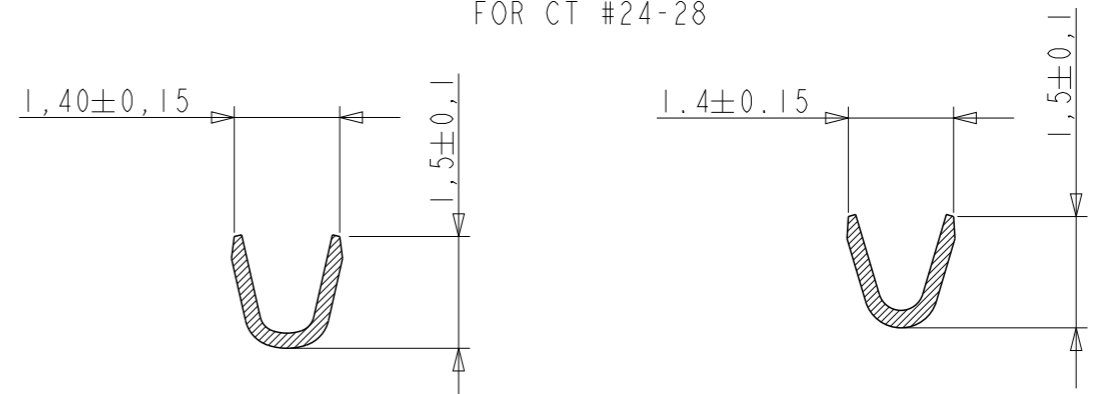
SECTION B-B

NOTES

- 1- Material : Phosphor bronze, thickness 0.20
- 2 -Finish on contact area : termination 064:gold flash
 termination 065:076μ Au / GXT
 termination 067:04μ Au / GXT
 finish on termination : bright tin over nickel
- 3 -Wire range :20 to 28 AWG(see ref sheet 1/2)
- 4 -Max outer dia of wire insulator:
 -1.73 mm for contact #20-24
 -1.02 mm for contact #24-28
- 5 -Current carrying capacity per contact:
 5 Amps max when crimped to #20 AWG
 5 Amps max when crimped to #22 AWG
 3 Amps max when crimped to #24 AWG
 2 Amps max when crimped to #26 AWG
 1 Amps max when crimped to #28 AWG
- 6 -After 5 insertions into connector,
 contact retention must be 5 pounds axial load min
- 7 -When contact is crimped to 20 AWG, the insulation
 support crimped height must be 1.78 mm max to ensure
 a proper insertion into housing.
- 8-Reel should be continuous without any contacts
 missing in between
- 9 -Packaging : Reel



CROSS SECTIONS
FOR CT #24-28

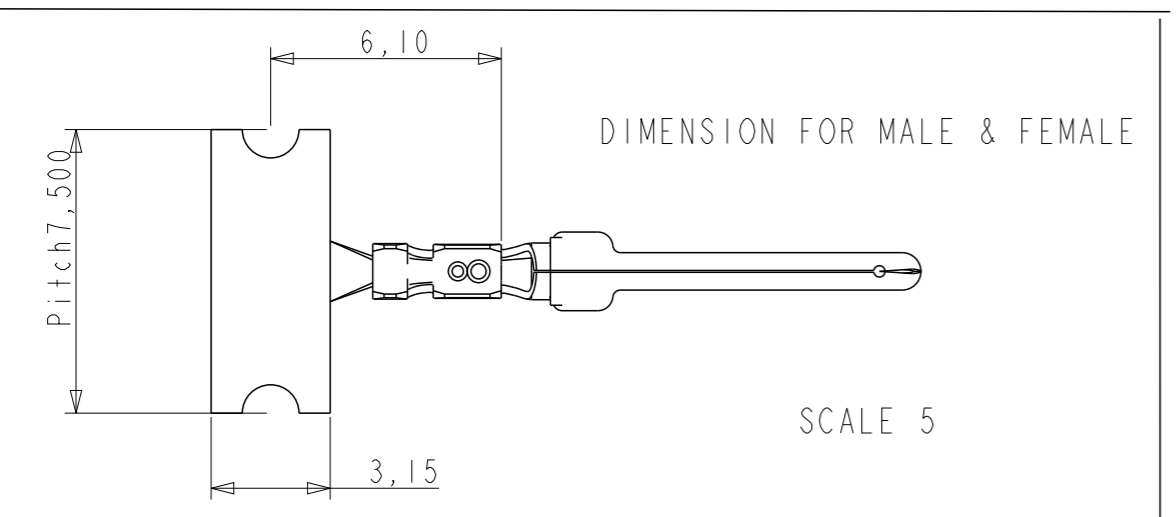


SECTION A-A

SECTION B-B



Copyright FCI.



www.fciconnect.com		surface - ✓ ISO 1302	tolerance std ISO 406 ISO 1101	projection mm
TOLERANCES UNLESS OTHERWISE SPECIFIED				
Dr	C JARRY	13/05/02	ANGULAR	0.X ±0.3
Eng	-	-	LINEAR	0.XX ±0.1
Chr	-	-	0° ±2°	0.XXX ±0.05
Appr	-	-	Product family	8656
FCI		title CRIMP CONTACTS		dwg no C01-8656-1525
-		customer		Rev. J
-		-		sheet 2 of 2

REV F - 2006-04-17

1

2

3

PDM: Rev:J

STATUS:Released

Printed: Mar 05, 2011

X-ON Electronics

Largest Supplier of Electrical and Electronic Components

Click to view similar products for [D-Sub Contacts](#) category:

Click to view products by [Amphenol](#) manufacturer:

Other Similar products are found below :

[D02-22-26S-10000](#) [8656352067LF](#) [131A15029X](#) [132J22039X](#) [132A11029X](#) [132A11049X](#) [132A12059X](#) [1757912-1](#) [188582-000](#)
[162A11889X](#) [1757913-1](#) [212558-1](#) [030-1955-000](#) [053744-0098](#) [053744-0099](#) [053745-0105](#) [053745-0111](#) [601098N003](#) [D-610-10CS2962](#)
[86303057NLF](#) [131A11019X](#) [162A11819X](#) [40-9854MP](#) [1-208778-5](#) [FC120N2](#) [MC7526D/AA](#) [MC8122D/AA](#) [FC4010D-15](#) [FC4006D](#)
[121A05329A](#) [164C16669X](#) [86566620064LF](#) [131A13019X](#) [DLS3XS5AK40X](#) [09692825723](#) [030-1954-000](#) [L17DM53744207](#)
[L17RRD1M11400](#) [030-1952-000](#) [030-1953-000](#) [030-1953-030](#) [132C11039X](#) [132J15019X](#) [132C15019X](#) [131A10029X](#) [8638PSC2006LF](#)
[8656453067LF](#) [86566520064LF](#) [L17DM537441](#) [L17DM537425001](#)