

 ELECTRONICS

# D-Subminiature Connectors Economy Range

## **FCI: SETTING THE STANDARD FOR CONNECTORS**

With operations in 30 countries and sales of 1.25 billion euros in 2008, FCI is a leading manufacturer of connectors.

Our 13,000 employees are committed to providing customers with high-quality, innovative products for a wide range of consumer and industrial applications.

**For more information:  
[www.fci.com](http://www.fci.com)**

### **Table of contents**

|                                       | <b>page</b> |
|---------------------------------------|-------------|
| • Description                         | 3           |
| • Technical Data                      | 3           |
| • Performance Selection Chart         | 3           |
| • D-sub (Economy) Right Angle         | 4           |
| • D-sub (Economy) Straight            | 5           |
| • Associated Cable connector offering | 6           |
| • Part Number List                    | 7           |

# D-Subminiature Connectors

## DESCRIPTION

FCI's D-Subminiature connectors are part of an industry standard for applications requiring robust and reliable connectors. These D-Subminiature connectors are one of the most popular Input - Output interconnects, addressing a wide variety of applications in Telecommunications, Data, Consumer, Industrial, Military, Instrumentation and Medical markets. Since many years FCI offers a wide range of D-Subminiature connectors to meet all design requirements, and to address increasing needs for proven connectors for less demanding applications, FCI developed the D-Subminiature Economy Range.



## TECHNICAL DATA

### Electrical Performance

|                       |   |
|-----------------------|---|
| Current rating        | : 5 A                                     |
| Rated Voltage         | : 250 V                                   |
| Contact Resistance    | : 25 mΩ (Max) Initial & 40 mΩ (Max) After |
| Insulation resistance | : >5000 MΩ                                |
| Dielectric Strength   | : 1000 Vrms                               |
| Operating temp range  | : -55°C to +105°C                         |

### Material

|           |   |
|-----------|---|
| Insulator | : Glass Filled Thermoplastic (UL 94V-0) Black |
| Contact   | : Copper Alloy                                |
| Shell     | : SPCC steel                                  |

### Mechanical Performance

|  |                     |
|--|---------------------|
| Mating/Unmating cycles                 | : 50                |
| Insertion/Extraction force per contact | : 5 NMax / 0.3 NMin |

## PERFORMANCE SELECTION CHART

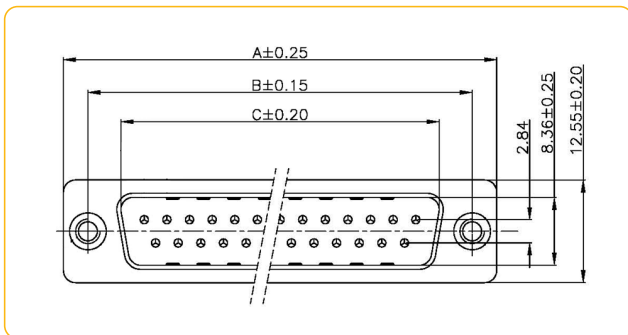
|                              | FCI Economy Range   | FCI Std Delta-D  |
|------------------------------|---|--|
| Receptacle contact           | Brass   | Phosphor Bronze  |
| Durability (cycles)          | 50  | 200 / 500  |
| Operating Temp (°C)          | - 55°C to +105°C  | - 55°C to +125°C   |
| Rated Voltage                | 250 V   | 300 V  |
| Torque for Female Clinch nut | 0.5 Nm  | 0.7 Nm   |
| Accessory options            | 3   | 24+  |
| PCB thickness                | 1.6 mm  | 1.6 and 2.4 mm   |
| Vibration                    | 10G   | 20G  |
| Target applications          | Set Top Box, Consumer devices, Control devices, Energy Meters, Datacom, Dot matrix printers, Desktop PC | Communications (Base station, Switching, Transmission, Routers, ADSL), Medical, Instrumentation, Transportation (Non Automotive), Power Supplies, Robotics |

## D-SUB (ECONOMY) RIGHT ANGLE

### ORDERING INFORMATION

|   |  |                   |          |          |           |
|---|--|-------------------|----------|----------|-----------|
| <b>Series</b><br>10090097: Male-US Style<br>10090099: Female -US Style<br>10090767: Male -Europe Style<br>10090768: Female-Europe Style | <b>P</b>   | <b>YY</b>         | <b>4</b> | <b>X</b> | <b>LF</b> |
| <b>Gender</b>   | <b>P</b> : Pin   | <b>S</b> : Socket |          |          |           |
| <b>No: of contacts</b>  | <b>09 - 15 - 25 - 37</b>   |                   |          |          |           |
| <b>Durability</b>   | <b>50 cycles</b>   |                   |          |          |           |
| <b>Mounting options</b>   | <b>X</b> : UNC 4-40 Clinch nuts with Board locks<br><b>L</b> : M3 Clinch nuts with Board locks<br><b>V</b> : UNC 4-40 Screw locks with Board locks |                   |          |          |           |
| <b>RoHS status</b>  | RoHS compliant   |                   |          |          |           |

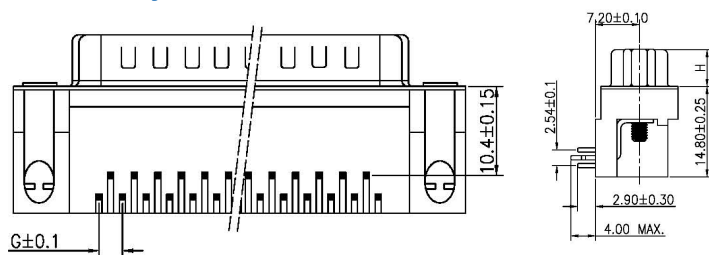
### DIMENSION



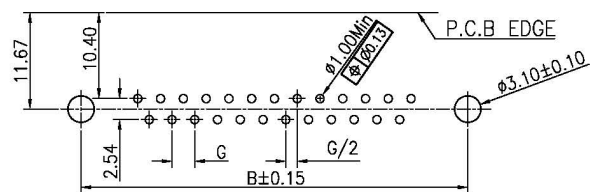
### DIMENSIONS (in mm)

| No. of Contacts |   | A     | B     | C     | G    | H                    |
|-----------------|---|-------|-------|-------|------|----------------------|
| <b>9</b>        | P | 30.81 | 24.99 | 16.92 | 2.74 | 5.9 <sup>+0.15</sup> |
|                 | S | 30.81 | 24.99 | 16.33 | 2.74 | 5.8                  |
| <b>15</b>       | P | 39.24 | 33.32 | 25.25 | 2.74 | 5.9 <sup>+0.15</sup> |
|                 | S | 39.24 | 33.32 | 24.66 | 2.74 | 5.8                  |
| <b>25</b>       | P | 53.04 | 47.04 | 38.96 | 2.77 | 5.7 <sup>+0.25</sup> |
|                 | S | 53.04 | 47.04 | 38.38 | 2.77 | 5.8                  |
| <b>37</b>       | P | 69.32 | 63.5  | 55.42 | 2.77 | 5.7 <sup>+0.25</sup> |
|                 | S | 69.32 | 63.5  | 54.84 | 2.77 | 5.8                  |

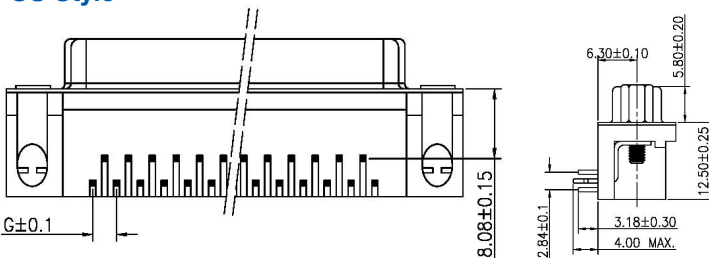
### EUROPE Style



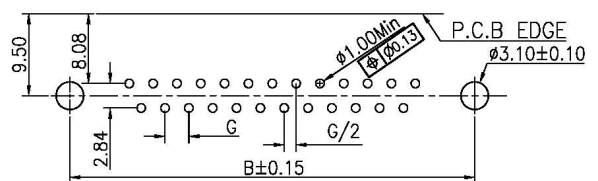
### PCB layout



### US Style



### PCB layout

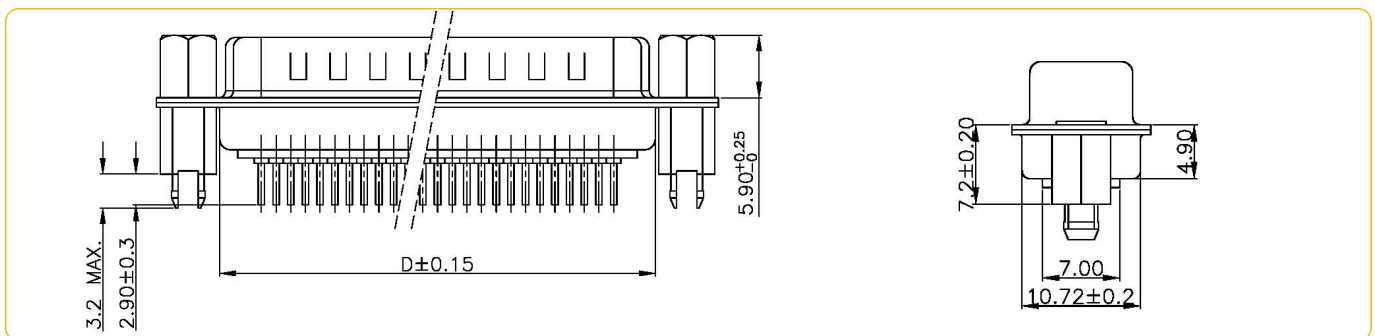
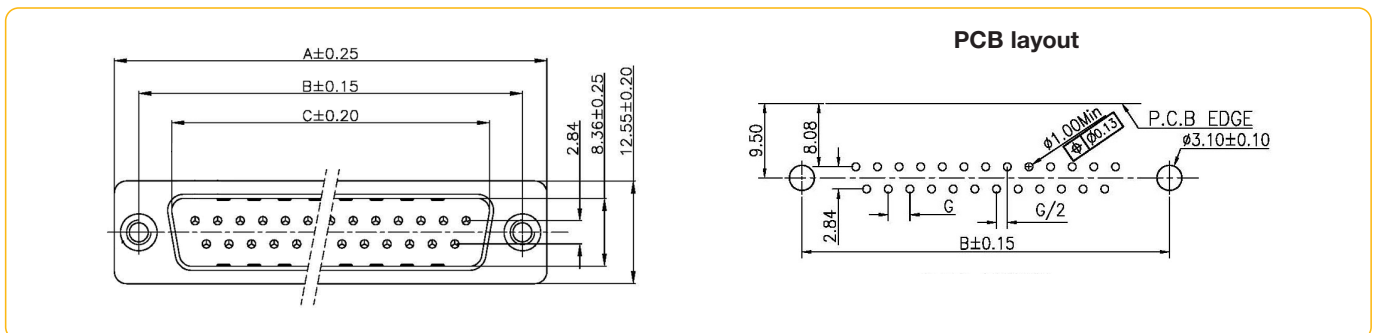


## D-SUB (ECONOMY) STRAIGHT

### ORDERING INFORMATION

|   |  |           |          |          |           |
|---|--|-----------|----------|----------|-----------|
| <b>Series</b><br>10090096: Male Straight<br>10090098: Female Straight | <b>P</b>   | <b>YY</b> | <b>4</b> | <b>X</b> | <b>LF</b> |
| <b>Gender</b>   | <b>P</b> : Pin <b>S</b> : Socket   |           |          |          |           |
| <b>No: of contacts</b>  | <b>09 - 15 - 25 - 37</b>   |           |          |          |           |
| <b>Durability</b>   | <b>50 cycles</b>   |           |          |          |           |
| <b>Mounting options</b>   | <b>X</b> : UNC 4-40 Clinch nuts with Board locks<br><b>L</b> : M3 Clinch nuts with Board locks<br><b>V</b> : UNC 4-40 Screw locks with Board locks |           |          |          |           |
| <b>RoHS status</b>  | RoHS compliant   |           |          |          |           |

### DIMENSION



### DIMENSIONS (in mm)

| No. of Contacts |   | A     | B     | C     | D     | G    | H                    |
|-----------------|---|-------|-------|-------|-------|------|----------------------|
| 9               | P | 30.81 | 24.99 | 16.92 | 19.28 | 2.74 | 5.9 <sup>+0.15</sup> |
|                 | S | 30.81 | 24.99 | 16.33 | 19.28 | 2.74 | 5.8                  |
| 15              | P | 39.24 | 33.32 | 25.25 | 27.65 | 2.74 | 5.9 <sup>+0.15</sup> |
|                 | S | 39.24 | 33.32 | 24.66 | 27.75 | 2.74 | 5.8                  |
| 25              | P | 53.04 | 47.04 | 38.96 | 41.10 | 2.77 | 5.7 <sup>+0.25</sup> |
|                 | S | 53.04 | 47.04 | 38.38 | 41.30 | 2.77 | 5.8                  |
| 37              | P | 69.32 | 63.5  | 55.42 | 57.44 | 2.77 | 5.7 <sup>+0.25</sup> |
|                 | S | 69.32 | 63.5  | 54.84 | 57.40 | 2.77 | 5.8                  |

## ASSOCIATED CABLE CONNECTOR OFFERING

### Signal

#### Solder Bucket series

| Standard PNs | Description                 |
|--------------|-----------------------------|
| DE09S064TLF  | 09 Way Socket Solder Bucket |
| DE09P064TXLF | 09 Way Pin Solder Bucket    |
| DA15S064TLF  | 15 Way Socket Solder Bucket |
| DA15P064TXLF | 15 Way Pin Solder Bucket    |
| DB25S064TLF  | 25 Way Socket Solder Bucket |
| DB25P064TXLF | 25 Way Pin Solder Bucket    |
| DC37S064TLF  | 37 Way Socket Solder Bucket |
| DC37P064TXLF | 37 Way Pin Solder Bucket    |

#### Crimp 8656 series

| Standard PNs | Description          | Crimp Contact PNs | Description                       |
|--------------|----------------------|-------------------|-----------------------------------|
| 865609SLTLF  | 09 Way Socket, Crimp | 8656350064LF      | Pin 24/28 AWG, Pack: 500/Box      |
| 865609PLTXLF | 09 Way Pin, Crimp    | 86564510064LF     | Pin 24/28 AWG, Pack: 5000/Reel    |
| 865615SLTLF  | 15 Way Socket, Crimp | 86563510064LF     | Socket 24/28 AWG, Pack: 500/Box   |
| 865615PLTXLF | 15 Way Pin, Crimp    | 86566510064LF     | Socket 24/28 AWG, Pack: 5000/Reel |
| 865625SLTLF  | 25 Way Socket, Crimp |                   |                                   |
| 865625PLTXLF | 25 Way Pin, Crimp    |                   |                                   |
| 865637SLTLF  | 37 Way Socket, Crimp |                   |                                   |
| 865637PLTXLF | 37 Way Pin, Crimp    |                   |                                   |

#### IDC 8657 series

| Standard PNs   | Description                   |
|----------------|-------------------------------|
| 865709S065TLF  | 09 Way Socket, Flat Cable IDC |
| 865709P065TXLF | 09 Way Pin, Flat Cable IDC    |
| 865715S065TLF  | 15 Way Socket, Flat Cable IDC |
| 865715P065TXLF | 15 Way Pin, Flat Cable IDC    |
| 865725S065TLF  | 25 Way Socket, Flat Cable IDC |
| 865725P065TXLF | 25 Way Pin, Flat Cable IDC    |
| 865737S065TLF  | 37 Way Socket, Flat Cable IDC |
| 865737P065TXLF | 37 Way Pin, Flat Cable IDC    |

### Power

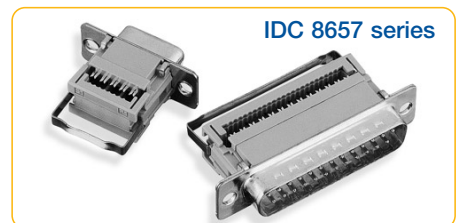
#### DW series - Solder / Crimp

| Connector PNs | Description                      | Power Contact PNs | Description               |
|---------------|----------------------------------|-------------------|---------------------------|
| DA3W3SA00LF   | Power Cable Connector 3W3 Socket | 8638PSS1005LF     | 10A Socket, Solder Bucket |
| DA3W3PA00LF   | Power Cable Connector 3W3 Pin    | 8638PPS1005LF     | 10A Pin, Solder Bucket    |
| DA7W2SA00LF   | Power Cable Connector 7W2 Socket | 8638PSS4005LF     | 40A Socket, Solder Bucket |
| DA7W2PA00LF   | Power Cable Connector 7W2 Pin    | 8638PPS4005LF     | 40A Pin, Solder Bucket    |
| DC8W8SA00LF   | Power Cable Connector 8W8 Socket | 8638PSC1005LF     | 10A Socket, Crimp         |
| DC8W8PA00LF   | Power Cable Connector 8W8 Pin    | 8638PPC1005LF     | 10A Pin, Crimp            |
| DB5W5SA00LF   | Power Cable Connector 5W5 Socket | 8638PSC2005LF     | 20A Socket, Crimp         |
| DB5W5PA00LF   | Power Cable Connector 5W5 Pin    | 8638PPC2005LF     | 20A Pin, Crimp            |

## ACCESSORIES

### Straight Exit Hoods

|          | Plastic      | Metallised       | Metallic      |
|----------|--------------|------------------|---------------|
| Position | Standard PNs | Standard PNs     | Standard PNs  |
| 09 Way   | 86303637BLF  | 10039449-00002LF | 8655MH0901BLF |
| 15 Way   | 86303638BLF  | 10039450-00002LF | 8655MH1501BLF |
| 25 Way   | 86303639BLF  | 10039451-00002LF | 8655MH2501BLF |
| 37 Way   | 86303640BLF  | 10039452-00002LF | 8655MH3701BLF |





## D-Subminiature Connectors

| FCI part number  | Part Description                                    |
|------------------|---|
| 10090768-S094VLF | D-sub right angle Europe style 9 way solder socket  |
| 10090768-S154VLF | D-sub right angle Europe style 15 way solder socket |
| 10090768-S254VLF | D-sub right angle Europe style 25 way solder socket |
| 10090768-S374VLF | D-sub right angle Europe style 37 way solder socket |
| 10090768-S094LLF | D-sub right angle Europe style 9 way solder socket  |
| 10090768-S154LLF | D-sub right angle Europe style 15 way solder socket |
| 10090768-S254LLF | D-sub right angle Europe style 25 way solder socket |
| 10090768-S374LLF | D-sub right angle Europe style 37 way solder socket |
| 10090768-S094XLF | D-sub right angle Europe style 9 way solder socket  |
| 10090768-S154XLF | D-sub right angle Europe style 15 way solder socket |
| 10090768-S254XLF | D-sub right angle Europe style 25 way solder socket |
| 10090768-S374XLF | D-sub right angle Europe style 37 way solder socket |
| 10090767-P094VLF | D-sub right angle Europe style 9 way solder pin     |
| 10090767-P154VLF | D-sub right angle Europe style 15 way solder pin    |
| 10090767-P254VLF | D-sub right angle Europe style 25 way solder pin    |
| 10090767-P374VLF | D-sub right angle Europe style 37 way solder pin    |
| 10090767-P094LLF | D-sub right angle Europe style 9 way solder pin     |
| 10090767-P154LLF | D-sub right angle Europe style 15 way solder pin    |
| 10090767-P254LLF | D-sub right angle Europe style 25 way solder pin    |
| 10090767-P374LLF | D-sub right angle Europe style 37 way solder pin    |
| 10090767-P094XLF | D-sub right angle Europe style 9 way solder pin     |
| 10090767-P154XLF | D-sub right angle Europe style 15 way solder pin    |
| 10090767-P254XLF | D-sub right angle Europe style 25 way solder pin    |
| 10090767-P374XLF | D-sub right angle Europe style 37 way solder pin    |
| 10090099-S094VLF | D-sub right angle US style 9 way solder socket      |
| 10090099-S154VLF | D-sub right angle US style 15 way solder socket     |
| 10090099-S254VLF | D-sub right angle US style 25 way solder socket     |
| 10090099-S374VLF | D-sub right angle US style 37 way solder socket     |
| 10090099-S094LLF | D-sub right angle US style 9 way solder socket      |
| 10090099-S154LLF | D-sub right angle US style 15 way solder socket     |
| 10090099-S254LLF | D-sub right angle US style 25 way solder socket     |
| 10090099-S374LLF | D-sub right angle US style 37 way solder socket     |
| 10090099-S094XLF | D-sub right angle US style 9 way solder socket      |
| 10090099-S154XLF | D-sub right angle US style 15 way solder socket     |
| 10090099-S254XLF | D-sub right angle US style 25 way solder socket     |
| 10090099-S374XLF | D-sub right angle US style 37 way solder socket     |
| 10090097-P094VLF | D-sub right angle US style 9 way solder pin         |
| 10090097-P154VLF | D-sub right angle US style 15 way solder pin        |
| 10090097-P254VLF | D-sub right angle US style 25 way solder pin        |
| 10090097-P374VLF | D-sub right angle US style 37 way solder pin        |
| 10090097-P094LLF | D-sub right angle US style 9 way solder pin         |
| 10090097-P154LLF | D-sub right angle US style 15 way solder pin        |
| 10090097-P254LLF | D-sub right angle US style 25 way solder pin        |
| 10090097-P374LLF | D-sub right angle US style 37 way solder pin        |
| 10090097-P094XLF | D-sub right angle US style 9 way solder pin         |
| 10090097-P154XLF | D-sub right angle US style 15 way solder pin        |
| 10090097-P254XLF | D-sub right angle US style 25 way solder pin        |
| 10090097-P374XLF | D-sub right angle US style 37 way solder pin        |

| FCI part number  | Part Description                    |
|------------------|-------------------------------------|
| 10090098-S094VLF | D-sub straight 9 way solder socket  |
| 10090098-S154VLF | D-sub straight 15 way solder socket |
| 10090098-S254VLF | D-sub straight 25 way solder socket |
| 10090098-S374VLF | D-sub straight 37 way solder socket |
| 10090098-S094LLF | D-sub straight 9 way solder socket  |
| 10090098-S154LLF | D-sub straight 15 way solder socket |
| 10090098-S254LLF | D-sub straight 25 way solder socket |
| 10090098-S374LLF | D-sub straight 37 way solder socket |
| 10090098-S094XLF | D-sub straight 9 way solder socket  |
| 10090098-S154XLF | D-sub straight 15 way solder socket |
| 10090098-S254XLF | D-sub straight 25 way solder socket |
| 10090098-S374XLF | D-sub straight 37 way solder socket |
| 10090096-P094VLF | D-sub straight 9 way solder pin     |
| 10090096-P154VLF | D-sub straight 15 way solder pin    |
| 10090096-P254VLF | D-sub straight 25 way solder pin    |
| 10090096-P374VLF | D-sub straight 37 way solder pin    |
| 10090096-P094LLF | D-sub straight 9 way solder pin     |
| 10090096-P154LLF | D-sub straight 15 way solder pin    |
| 10090096-P254LLF | D-sub straight 25 way solder pin    |
| 10090096-P374LLF | D-sub straight 37 way solder pin    |
| 10090096-P094XLF | D-sub straight 9 way solder pin     |
| 10090096-P154XLF | D-sub straight 15 way solder pin    |
| 10090096-P254XLF | D-sub straight 25 way solder pin    |
| 10090096-P374XLF | D-sub straight 37 way solder pin    |

**For more information on FCI sales offices,  
headquarters, agents and local distributors,  
visit [www.fci.com](http://www.fci.com)**



Americas - Tel.: 1 (800) 237 2374

Europe - Tel.: 33 1 39 49 21 83

Asia/Pacific - Tel.: 65 6549 6666

ELXDSUBECON0409EA4



## X-ON Electronics

Largest Supplier of Electrical and Electronic Components

*Click to view similar products for [D-Sub Standard Connectors](#) category:*

*Click to view products by [Amphenol](#) manufacturer:*

Other Similar products are found below :

[DCM37S732N](#) [DAM15P500](#) [DEV09S364GTLF](#) [DEM09P032N](#) [DDM50P732N](#) [DAM15S332N](#) [173109-2218](#) [173109-2466](#) [173109-2436](#)  
[173109-2435](#) [56F706-005-LI](#) [56F711-015](#) [015-0341-000](#) [015-0372-008](#) [015-8544-011](#) [017041-0005](#) [020419-0104](#) [012-0515-000](#) [012-9507-](#)  
[034](#) [012-9507-114](#) [012-9534-001](#) [020745-0008](#) [609-25P](#) [M24308/2-23Z](#) [M243082310F](#) [M243082410F](#) [M243082411F](#) [M24308/4-21](#)  
[CT1A18-11PSA206](#) [CT1N36-5SC](#) [CT2-16S-17PS](#) [CT2-20-15PCAU](#) [CT2-24-12PS](#) [CT2-24-28PSF127A206](#) [CT2-32-9PC](#) [CT6F9767-14-4-](#)  
[14S-5PC](#) [CT6FA10SL-4PS](#) [CT7-18-10SC](#) [CT7-18-10SCAU](#) [CT7-18-12SCAU](#) [CT7-18-1PC](#) [CT7-18-1PCAU](#) [CT7-18-21SCAU](#) [M83513/01-](#)  
[FC](#) [M83723/76W24619 L/C](#) [M85049/48-3-2F](#) [69001-865](#) [6STD09PCM99B70X](#) [6STD09SCM99B30X](#) [6STD09SCT99S40X](#)