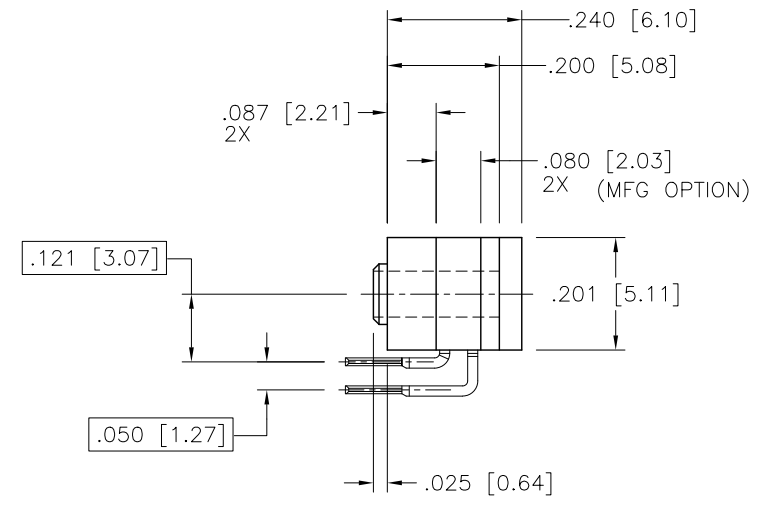
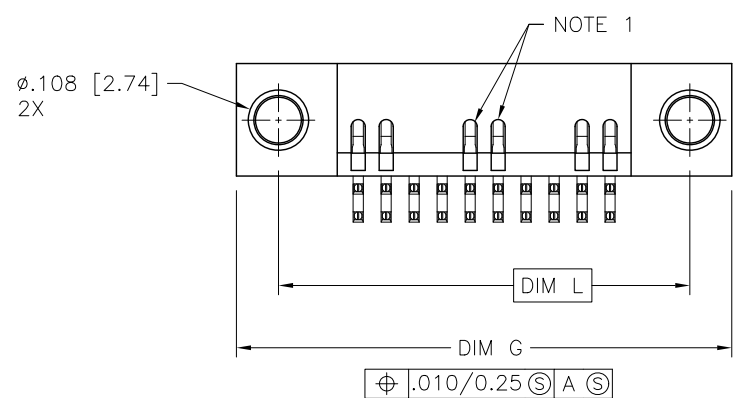
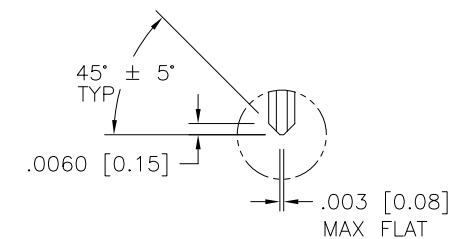
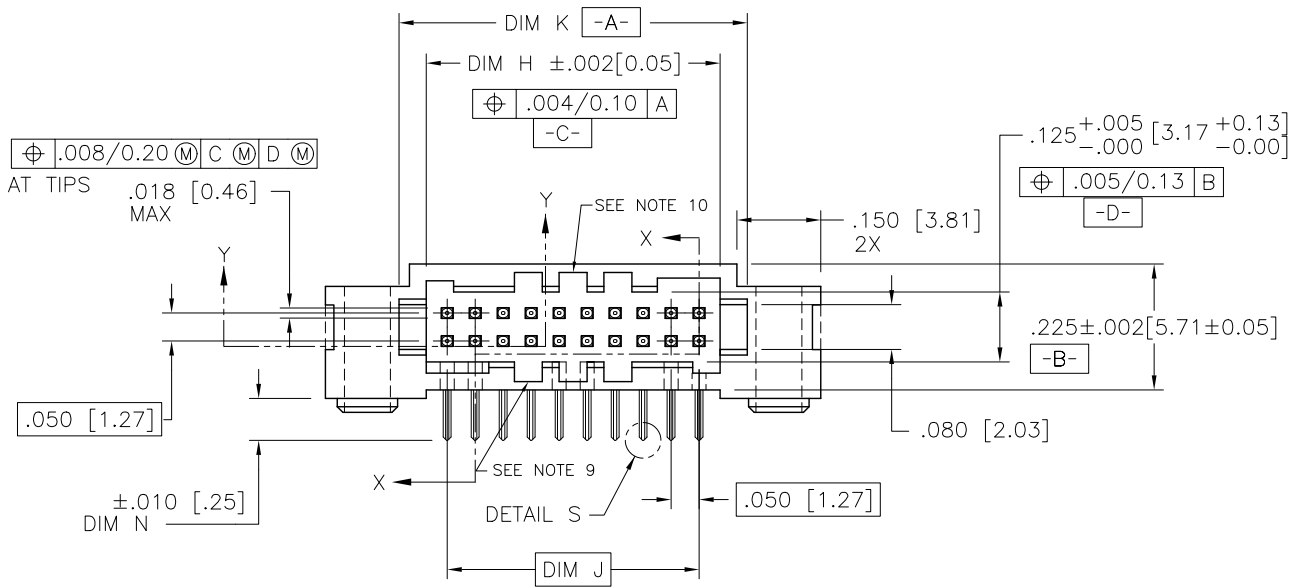
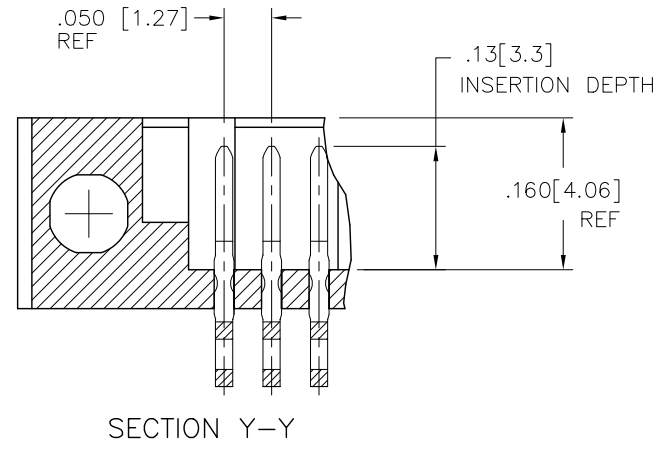
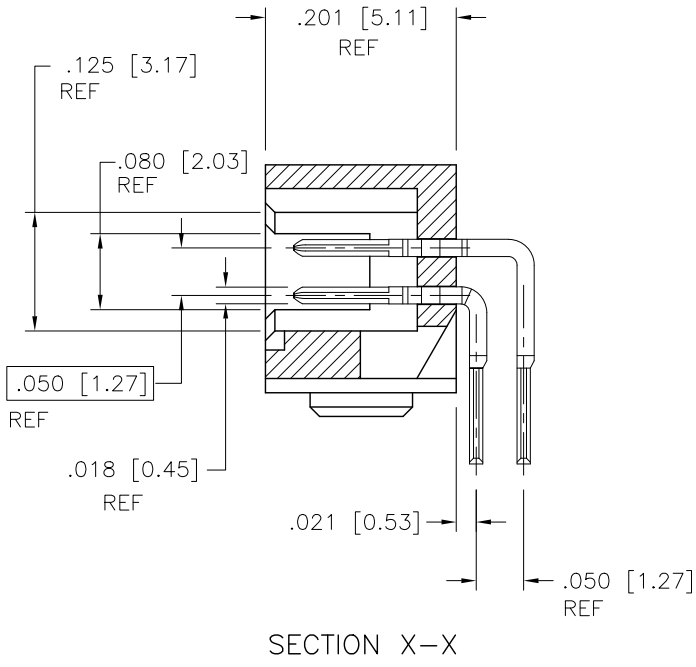


PRODUCT NUMBER
SEE TABLE



mat'l. code				surface		tolerance		projection		product family	
-				ISO 1302 <input checked="" type="checkbox"/>		ISO 406 ISO 1101				RIBCAGE	
ltr	ecn	no	dr	date		tolerances unless otherwise specified		title		sheet 1 of 4	
H	M05-0123	MHT	6/07/05	6/07/05		.XX \pm .01/0.3		RIBCAGE HORIZONTAL HEADER ASSEMBLY		size	
J	M05-0196	MHT	9/13/05	9/13/05		.xxx \pm .005/0.13		INCH/MM		A3	
K	M06-0225	ERE	06/12/06	06/12/06		.xxx \pm .0020/0.05		scale 3:1		95780	
L	M06-0370	MHT	9/26/06	dr	M. CORNMAN	6/6/95				type Product Customer Drawing	
M	M09-0058	MHT	4/02/09	engr	D. WHITING	6/6/95					
N	N10-0122	YO	5/11/10	chr	D. WHITING	6/6/95					
P	ELX-N-009981	YO	1/30/12	appd	D. WHITING	6/6/95					
sheet	revision	P	P	P	P						
index	sheet	1	2	3	4						

PRODUCT NUMBER
SEE TABLE



mat'l. code		surface		tolerance		projection		product family	
-		ISO 1302 ✓		ISO 406 ISO 1101				RIBCAGE	
ltr	ecn	no	dr	date		tolerances unless otherwise specified		title	
P						angles	linear	RIBCAGE HORIZONTAL HEADER ASSEMBLY	
						0.001x?	.XX±.01/0.3 .XXX±.005/0.13 .XXXX±.0020/0.051	INCH/MM	
								scale 3:1	
			dr	M. CORNMAN 6/6/95				dwg no sheet 2 of 4 size	
			enr	D. WHITING 6/6/95				95780 A3	
			chr	D. WHITING 6/6/95				type Product Customer Drawing	
			appd	D. WHITING 6/6/95					
sheet	revision								
index	sheet								

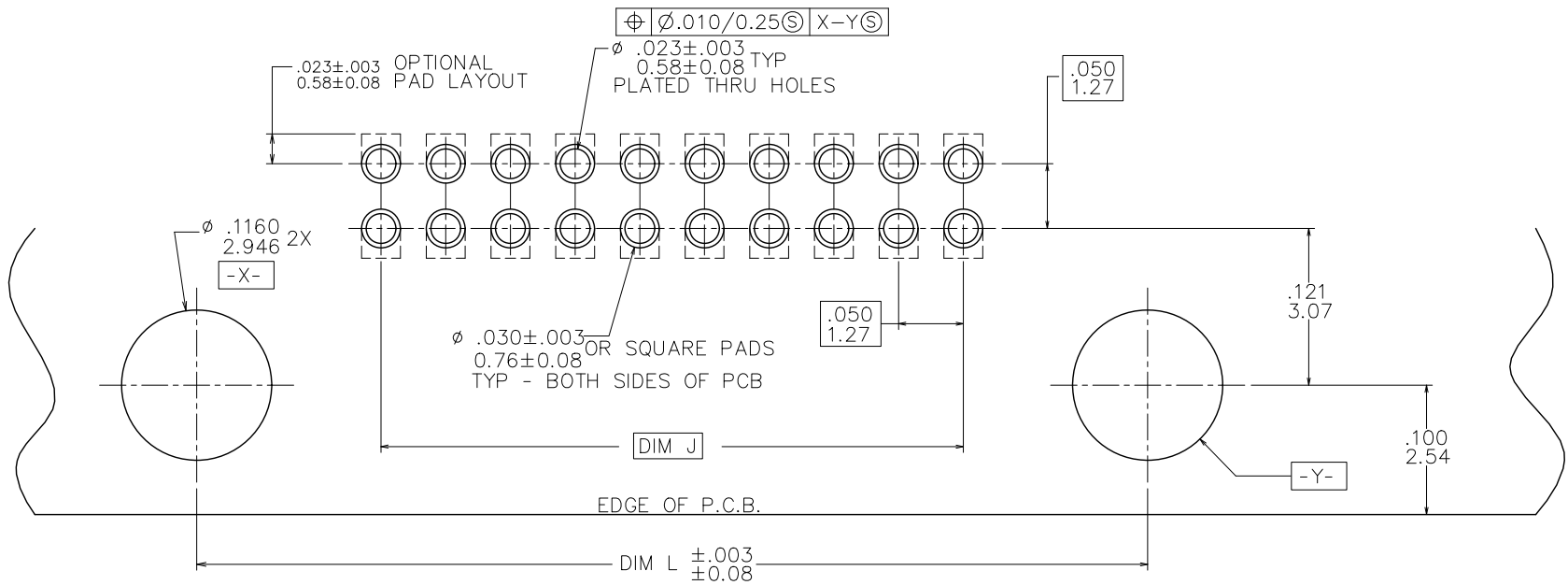
FCI
FCIconnect.com

Copyright FCI

PRODUCT NO. NOTE 5,6	SIZE	DIM G	DIM H	DIM J	DIM K	DIM L	TAIL LENGTH DIM N
87402 OR 93120 -105	2X5	.635/16.13	.275/6.90	.200/5.08	.380/9.65	.485/12.32	.075/1.90
-110	2X10	.885/22.48	.525/13.34	.450/11.43	.630/16.00	.735/18.67	
-115	2X15	1.135/28.83	.775/19.68	.700/17.78	.880/22.35	.985/25.02	
-120	2X20	1.385/35.18	1.025/26.03	.950/24.13	1.130/28.70	1.235/31.37	
-125	2X25	1.635/41.52	1.275/32.38	1.200/30.48	1.380/35.05	1.485/37.72	
-130	2X30	1.885/47.88	1.525/38.74	1.450/36.83	1.630/41.40	1.735/44.07	
-135	2X35	2.135/54.23	1.775/45.08	1.700/43.18	1.880/47.75	1.985/50.42	
-140	2X40	2.385/60.58	2.025/51.43	1.950/49.53	2.130/54.10	2.235/56.77	
-145	2X45	2.635/66.93	2.275/57.78	2.200/55.88	2.380/60.45	2.485/63.12	
-150	2X50	2.885/73.28	2.525/64.14	2.450/62.23	2.630/66.80	2.735/69.47	.075/1.90
-150N	2X50	2.885/73.28	2.525/64.14	2.450/62.23	2.630/66.80	2.735/69.47	.125/3.18
-305	2X5	.635/16.13	.275/6.90	.200/5.08	.380/9.65	.485/12.32	.085/2.16
-310	2X10	.885/22.48	.525/13.34	.450/11.43	.630/16.00	.735/18.67	
-320	2X20	1.385/35.18	1.025/26.03	.950/24.133	1.130/28.70	1.235/31.37	
-330	2X30	1.885/47.88	1.525/38.74	1.450/36.83	1.630/41.40	1.735/44.07	
-345	2X45	2.635/66.93	2.275/57.78	2.200/55.88	2.380/60.45	2.485/63.12	.085/2.16
-510	2X10	.885/22.48	.525/13.34	.450/11.43	.630/16.00	.735/18.67	.125/3.18
-515	2X15	1.135/28.83	.775/19.68	.700/17.78	.880/22.35	.985/25.02	
-520	2X20	1.385/35.18	1.025/26.03	.950/24.13	1.130/28.70	1.235/31.37	
-525	2X25	1.635/41.52	1.275/32.38	1.200/30.48	1.380/35.05	1.485/37.72	
87402 OR 93120 -530	2X30	1.885/47.88	1.525/38.74	1.450/36.83	1.630/41.40	1.735/44.07	.125/3.18

mat'l. code		surface		tolerance		projection		product family	
-		ISO 1302 ✓		ISO 406 ISO 1101				RIBCAGE	
ltr	ecn	no	dr	date		tolerances unless otherwise specified		title	
P						angles linear .XX±.01/0.3 .XXX±.005/0.13 0.001±.0020/0.051		RIBCAGE HORIZONTAL HEADER ASSEMBLY	
								title RIBCAGE HORIZONTAL HEADER ASSEMBLY	
						dr M. CORNMAN 6/6/95 engr D. WHITING 6/6/95 chr D. WHITING 6/6/95 appd D. WHITING 6/6/95		INCH/MM scale 3:1 	
								dwg no 95780 sheet 3 of 4 size A3 type Product Customer Drawing	
sheet index	revision sheet								

PRODUCT NUMBER
SEE TABLE



RECOMMENDED P.C.B. LAYOUT
SCALE 20/1

NOTES:

1. HOUSING MATERIAL:
GLASS FILLED THERMOPLASTIC FLAME RETARDANT PER UL 94V-0.
COLOR: NATURAL.
2. TERMINAL PLATING:
30u"/.76u MIN HARD GOLD OR GXT OVER 50u"/1.27u Ni ON CONTACT ZONES.
200u"/5.08u MIN Sn OVER 50u"/1.27u Ni IN SOLDERING ZONES.
3. CORING IN CENTER TO BE PRESENT ON PARTS THAT ARE 2X40 OR LARGER.
4. SUGGESTED FASTENERS:
#2 HI-LO THREAD 1/4" PANHEAD.
FASTECH INC.
(516) 242-5699

OR;
#1 CAPHEAD SCREW (3/8" LONG) AND NUT FOR (.062/1.57 BOARD).
5. 87402 AND 93120 ARE THE SAME. PLEASE ORDER AS 87402.
6. ADD "LF" SUFFIX AT THE END OF PART NUMBER FOR LEAD FREE OPTION.
7. THIS PRODUCT MEETS EUROPEAN UNION DIRECTIVES AND OTHER COUNTRY REGULATION AS DESCRIBED IN GS-22-008.
8. THE HOUSING WILL WITHSTAND EXPOSURE TO 260°C PEAK TEMPERATURE FOR 15 SECONDS IN A WAVE SOLDER APPLICATION WITH A 1.5mm MINIMUM THICK CIRCUIT BOARD. SEE APPLICATION NOTES/PROCEDURES IF THEY ARE AVAILABLE.
9. MOLDING FLOW RESTRICTOR QUANTITY AND LOCATION IS MANUFACTURING OPTION.
10. VACUUM CAP SLOT REQUIRED ON ALL SIZES, SLOT MAY BE LOCATED ON OPPOSITE SIDE FOR 2 X 5.
11. PRODUCT SPEC PER BUS-12-087.

mat'l. code		surface		tolerance		projection		product family	
-		ISO 1302 ✓		ISO 406 ISO 1101				RIBCAGE	
ltr	ecn	no	dr	date	tolerances unless otherwise specified		title		
P					angles	linear	INCH/MM		
						.XX±.01/0.3	RIBCAGE HORIZONTAL HEADER ASSEMBLY		
					0.0xx?	.xxx±.005/0.13	scale 3:1		
					dr	M. CORNMAN	6/6/95		
					engr	D. WHITING	6/6/95		
					chr	D. WHITING	6/6/95		
					appd	D. WHITING	6/6/95		
sheet index		revision sheet						dwg no 95780 sheet 4 of 4 size A3 type Product Customer Drawing	

X-ON Electronics

Largest Supplier of Electrical and Electronic Components

Click to view similar products for [Headers & Wire Housings](#) category:

Click to view products by [Amphenol](#) manufacturer:

Other Similar products are found below :

[892-18-020-10-001101](#) [58102-G61-06LF](#) [582553-1](#) [0009485154](#) [009176003701906](#) [0050291907](#) [LY20-4P-DT1-P1E-BR](#) [02.125.8002.8](#)
[609-3404](#) [61062-3](#) [622-0430](#) [622-3653LF](#) [63453-116](#) [636-1030](#) [636-1427](#) [636-3427](#) [636-4007](#) [641938-9](#) [641991-4](#) [644827-2](#) [65817-010LF](#)
[65817-015LF](#) [65863-015LF](#) [66207-023LF](#) [67095-007LF](#) [67601157](#) [68648-049](#) [70.362.1628.0](#) [70-4210](#) [70-4226B](#) [70-4853B](#) [707-5020](#) [707-5028](#) [71.350.2428.0](#) [71918-208LF](#) [71961-016LF](#) [733-134](#) [733-162](#) [754199-000](#) [760-3052](#) [787-8014-00](#) [79531-3000](#) [FCN-360C032-B](#) [FCN-367T-T012/H](#) [FCN-723D010/2](#) [80.063.4001.1](#) [800-90-001-10-001000](#) [800-90-010-10-002000](#) [801-43-002-10-013000](#) [801-43-006-10-002000](#)