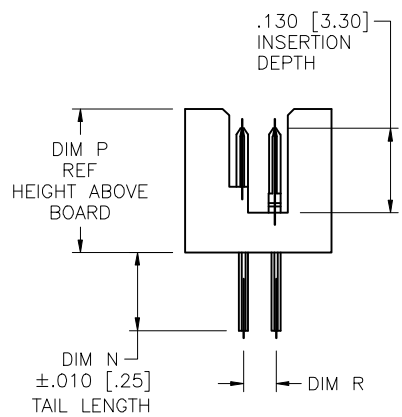
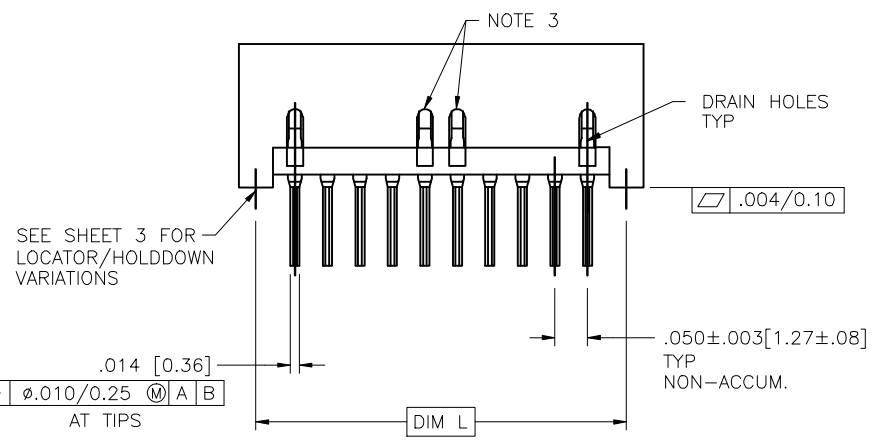
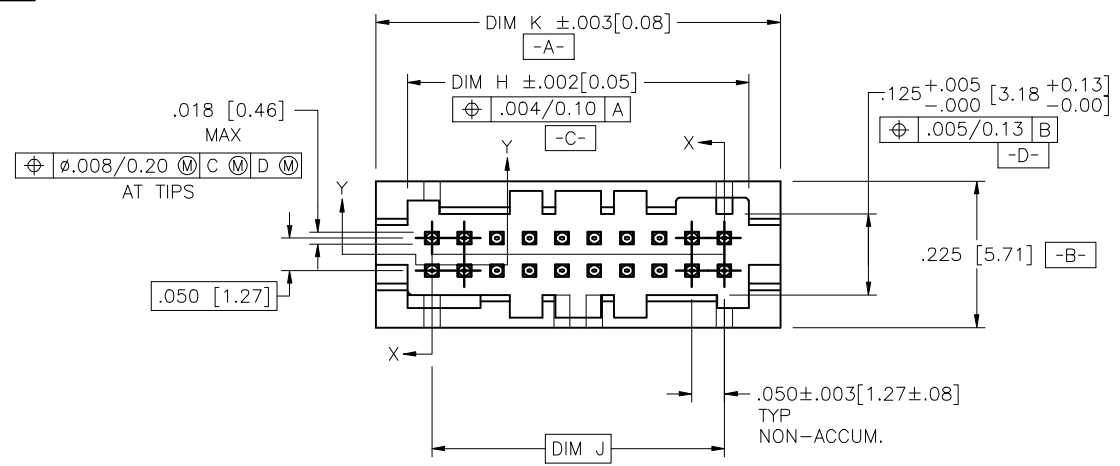


PRODUCT NUMBER
SEE TABLE



mat'l. code				surface	tolerance	projection	product family
-				ISO 1302	ISO 406	ISO 1101	RIBCAGE
ltr	ec'n no	dr	date	tolerances unless otherwise specified			title
J	V91778	EPK	8/13/99	angles	.XX±.01/0.3	INCH/MM	RIBCAGE III T/M VERT. HEADER ASS'Y
K	V10994	CRG	3/15/01	linear	.XXX±.005/0.13		
L	J10329	CRG	6/6/01	0'±2'	.XXX±.0020/0.051	scale 4:1	dwg no
M	M05-0123	MHT	6/06/05	dr	M. CORNMAN	6/6/95	sheet 1 of 6
M	M06-0225	ERE	06/12/06	engr	D. WHITING	6/6/95	size
P	M06-0370	MHT	9/26/06	chr	D. WHITING	6/6/95	A3
R	M09-0058	MHT	4/04/09	appd	D. WHITING	6/6/95	type
sheet	revision	R	R	R	R	R	Product Customer Drawing
index	sheet	1	2	3	4	5	

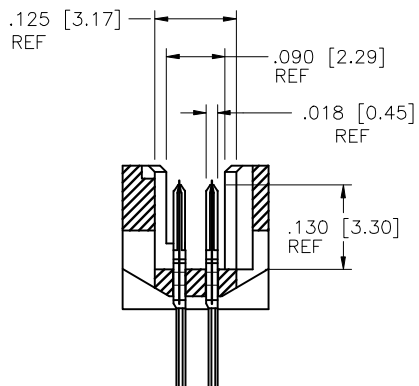


Copyright FCI

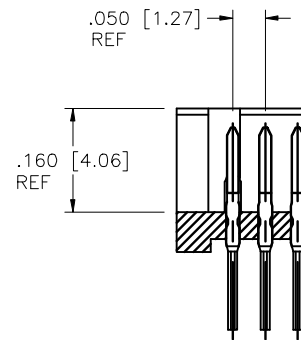
form A3

PRODUCT NUMBER
SEE TABLE

SIZE	DIM H	DIM J	DIM K	DIM L
2X5	.275/6.99	.200/5.08	.372/9.45	.320/8.13
2X10	.525/13.34	.450/11.43	.622/15.80	.570/14.48
2X15	.775/19.68	.700/17.78	.872/22.15	.820/20.83
2X20	1.025/26.03	.950/24.13	1.122/28.50	1.070/27.18
2X25	1.275/32.38	1.200/30.48	1.372/34.85	1.320/33.53
2X30	1.525/38.74	1.450/36.83	1.622/41.20	1.570/39.88
2X35	1.775/45.08	1.700/43.18	1.872/47.55	1.820/46.23
2X40	2.025/51.43	1.950/49.53	2.122/53.90	2.070/52.58
2X45	2.275/57.78	2.200/55.88	2.372/60.25	2.320/58.93
2X50	2.525/64.14	2.450/62.23	2.622/66.60	2.570/65.28



SECTION X-X
ROTATED 90° CW



SECTION Y-Y

mat'l. code		surface	tolerance	projection	product family
-		ISO 1302	ISO 406 ISO 1101		RIBCAGE
ltr	ecn no	dr	date	title	
R				RIBCAGE III T/M VERT. HEADER ASS'Y	
angles		linear		INCH/MM	scale 4:1
dr		M. CORNMAN	6/6/95	dwg no 95776 sheet 2 of 6 size A3	
engr		D. WHITING	6/6/95		
chr		D. WHITING	6/6/95		
appd		D. WHITING	6/6/95	type Product Customer Drawing	
sheet index	revision sheet				



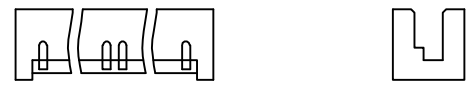
Copyright FCJ

form A3

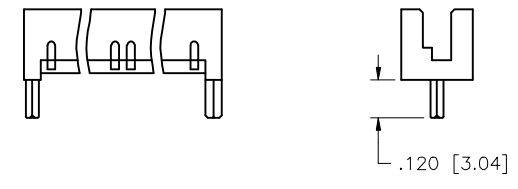
PRODUCT NUMBER
SEE TABLE

LOCATOR/HOLDDOWN VARIATIONS

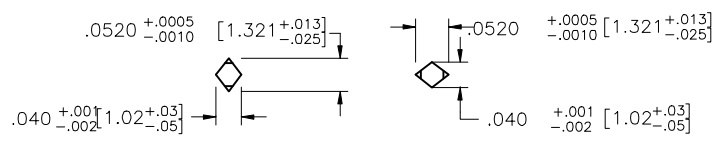
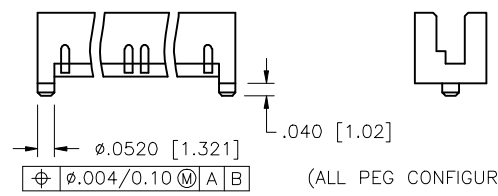
STYLE 1



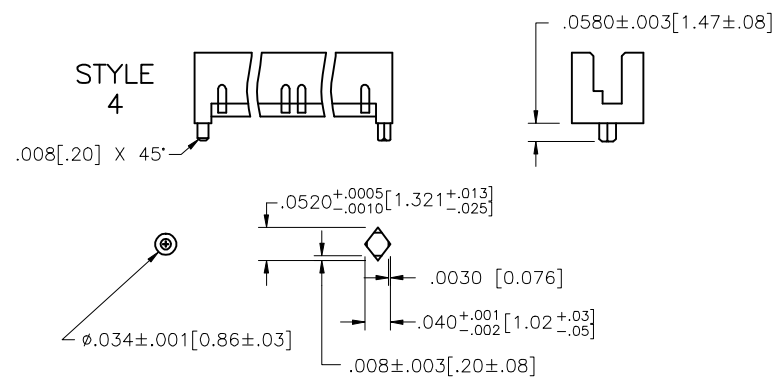
STYLE 6



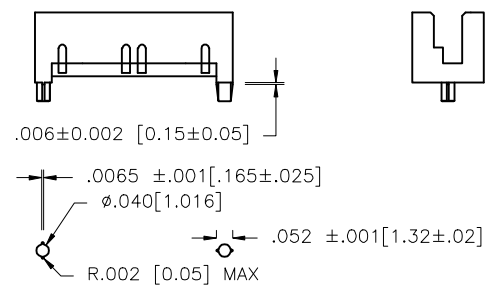
STYLE 2



STYLE 4



STYLE 7



Copyright FCJ

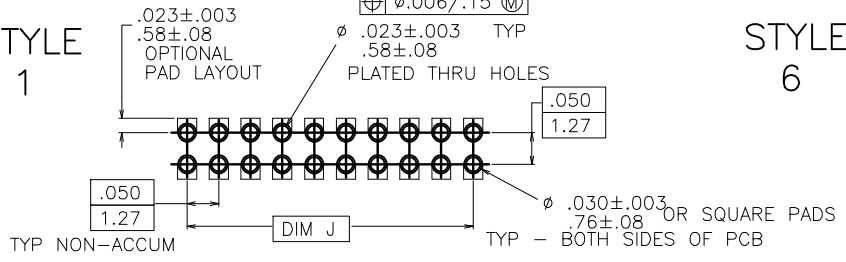
mat'l. code		surface		tolerance		projection		product family	
-		ISO 1302		ISO 406		1st angle		RIBCAGE	
tr		ecn no		dr		date		title	
R								RIBCAGE III T/M	
				angles		linear		VERT. HEADER ASS'Y	
				0'±2'		.XX±.01/0.3		INCH/MM	
						.XXX±.005/0.13		Scale 4:1	
						.XXXX±.0020/0.051		dwg no	
		dr		M. CORNMAN		6/6/95		sheet 3 of 6	
		engr		D. WHITING		6/6/95		size	
		chr		D. WHITING		6/6/95		A3	
		appd		D. WHITING		6/6/95		type	
								Product Customer Drawing	
sheet		revision							
index		sheet							

form A3 1 2 3 4 5 6

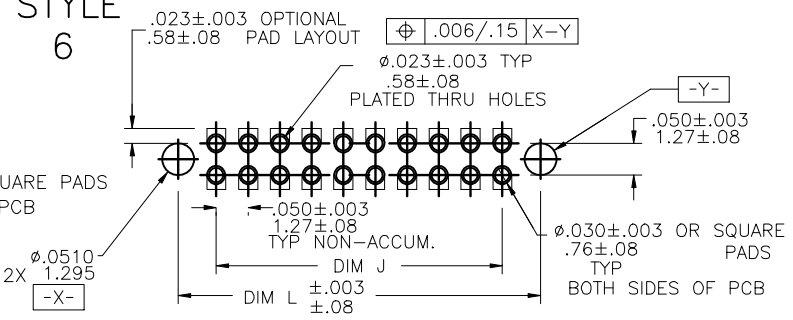
PRODUCT NUMBER
SEE TABLE

RECOMMENDED P. C. B. LAYOUT

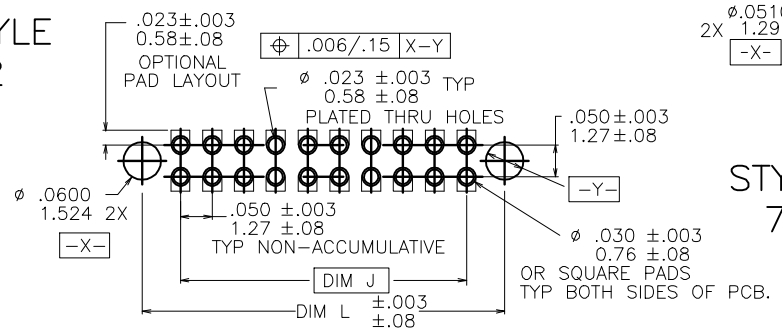
STYLE
1



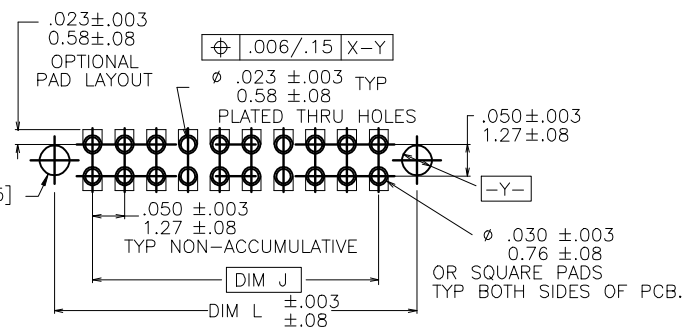
STYLE
6



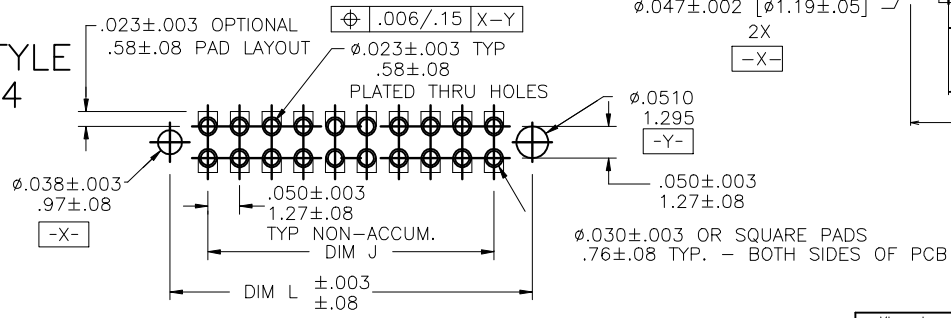
STYLE
2



STYLE
7



STYLE
4



mat'l. code	surface	tolerance	projection	product family
-	ISO 1902	ISO 406 ISO 1101		RIBCAGE
ltr	ec'n no	dr	date	title
R				RIBCAGE III T/M VERT. HEADER ASS'Y
				scale 4:1
				dwg no 95776
				sheet 4 of 6 size A3
				type Product Customer Drawing
sheet	revision			
index	sheet			



Copyright FCI

PRODUCT NO. NOTE 1,7	DIM N SOLDER TAIL LENGTH	DIM P HEIGHT ABOVE BOARD (REF)	DIM R SOLDER TAIL SPREAD	HOLDDOWN STYLE	PRODUCT NO. NOTE 1,7	DIM N SOLDER TAIL LENGTH	DIM P HEIGHT ABOVE BOARD (REF)	DIM R SOLDER TAIL SPREAD	HOLDDOWN STYLE
72449-1XX	.090/2.29	.221/5.63	.050/1.27	2	87400-1XX	.075/1.91	.221/5.63	.059/1.50	2
72450-1XX	.075/1.91	.293/7.44		2	87405-1XX	.075/1.91			1
72451-1XX	.115/2.92	.221/5.63		2	87405-2XX	.090/2.29			1
72452-1XX	.115/2.92	.221/5.63		6	87406-1XX	.075/1.91			6
73541-1XX	.075/1.91	.293/7.44		1	87406-2XX	.100/2.54			6
73543-1XX	.090/2.29	.359/9.12		1	87410-1XX	.090/2.29	.221/5.63		2
87407-1XX	.090/2.29	.221/5.63		1	87411-1XX	.075/1.91	.293/7.44		2
87850-1XX	.075/1.91			2	87412-1XX	.115/2.92	.221/5.63		2
87851-1XX	.075/1.91			6	89297-1XX	.115/2.92	.221/5.63	.059/1.50	6
88550-1XX	.135/3.43			2					
89289-1XX	.075/1.91			1					
89465-1XX	.115/2.92			1					
93149-1XX	.075/1.91			4					
98382-1XX	.090/2.29	.221/5.63		7					
98383-1XX	.090/2.29	.293/7.44		1					
98384-1XX	.090/2.29	.293/7.44		7					
98385-1XX	.090/2.29	.359/9.12	.050/1.27	7					

- 8. THIS PRODUCT MEETS EUROPEAN UNION DIRECTIVES AND OTHER COUNTRY REGULATION AS DESCRIBED IN GS-22-008.
- 9. THE HOUSING WILL WITHSTAND EXPOSURE TO 260°C PEAK TEMPERATURE FOR 15 SECONDS IN A WAVE SOLDER APPLICATION WITH A 1.5mm MINIMUM THICK CIRCUIT BOARD. SEE APPLICATION NOTES/PROCEDURES IF THEY ARE AVAILABLE.

NOTES:

- ① XXXXX-XXXLF
LEAD FREE OPTION (NOTE 7,8)
NUMBER OF POSITIONS (NOTE 2)
- ② NUMBER OF POSITIONS = 05 THRU 50 IN 5 POS INCREMENTS.
(EXAMPLE: 105=10 POS., 110=20 POS. ETC.)
- ③ REQUIRED ON -X40,-X45 & -X50 POSITION PARTS ONLY.
- 4. PACKAGE PER BUS-14-179.
- 5. HOUSING MATERIAL:
GLASS FILLED THERMOPLASTIC FLAME RETARDANT
PER UL 94V-0.
COLOR: NATURAL
- 6. TERMINAL PLATING:
30u"/.76u MIN HARD Au OVER 50u"/1.27u Ni ON
CONTACT ZONES.
100u"/2.54u MIN Sn OVER 50u"/1.27u Ni IN
SOLDERING ZONES.
- ⑦ ADD "LF" SUFFIX AT THE END OF PART NUMBER FOR
LEAD FREE OPTION.

mat'l. code	surface	tolerance	projection	product family
-	ISO 1302	ISO 1101		RIBCAGE
ltr	ecn no	dr	date	title
R				RIBCAGE III T/M VERT. HEADER ASS'Y
	angles	linear		INCH/MM
	0'±2'	.XX±.01/0.3		Scale 4:1
		.XXX±.005/0.13		
		.XXX±.0020/0.051		
dr	M. CORNMAN	6/6/95		dwg no
engr	D. WHITING	6/6/95		sheet 6 of 6 size
chr	D. WHITING	6/6/95		95776 A3
appd	D. WHITING	6/6/95		type Product Customer Drawing
sheet	revision			
index	sheet			

FCJ
 FCconnect.com
 Copyright FCJ

X-ON Electronics

Largest Supplier of Electrical and Electronic Components

Click to view similar products for [Headers & Wire Housings](#) category:

Click to view products by [Amphenol](#) manufacturer:

Other Similar products are found below :

[892-18-020-10-001101](#) [58102-G61-06LF](#) [582553-1](#) [0009485154](#) [009176003701906](#) [0050291907](#) [LY20-4P-DT1-P1E-BR](#) [02.125.8002.8](#)
[609-3404](#) [61062-3](#) [622-0430](#) [622-3653LF](#) [63453-116](#) [636-1030](#) [636-1427](#) [636-3427](#) [636-4007](#) [641938-9](#) [641991-4](#) [644827-2](#) [65817-010LF](#)
[65817-015LF](#) [65863-015LF](#) [66207-023LF](#) [67095-007LF](#) [67601157](#) [68648-049](#) [70.362.1628.0](#) [70-4210](#) [70-4226B](#) [70-4853B](#) [707-5020](#) [707-](#)
[5028](#) [71.350.2428.0](#) [71918-208LF](#) [71961-016LF](#) [733-134](#) [733-162](#) [754199-000](#) [760-3052](#) [787-8014-00](#) [79531-3000](#) [FCN-360C032-B](#) [FCN-](#)
[367T-T012/H](#) [FCN-723D010/2](#) [80.063.4001.1](#) [800-90-001-10-001000](#) [800-90-010-10-002000](#) [801-43-002-10-013000](#) [801-43-006-10-002000](#)